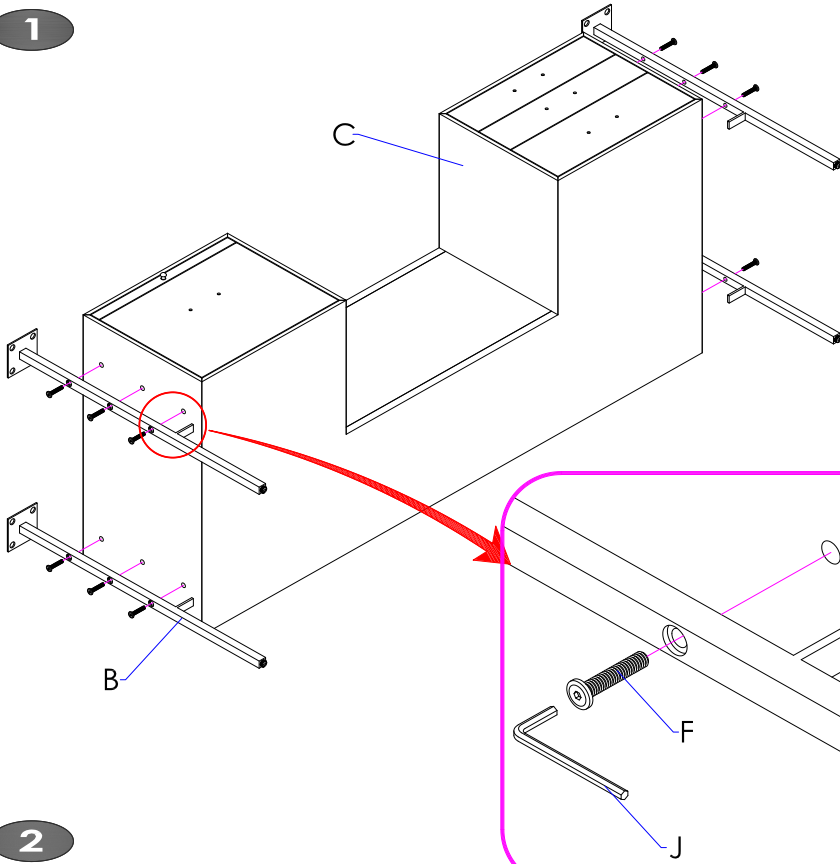


# SONDER

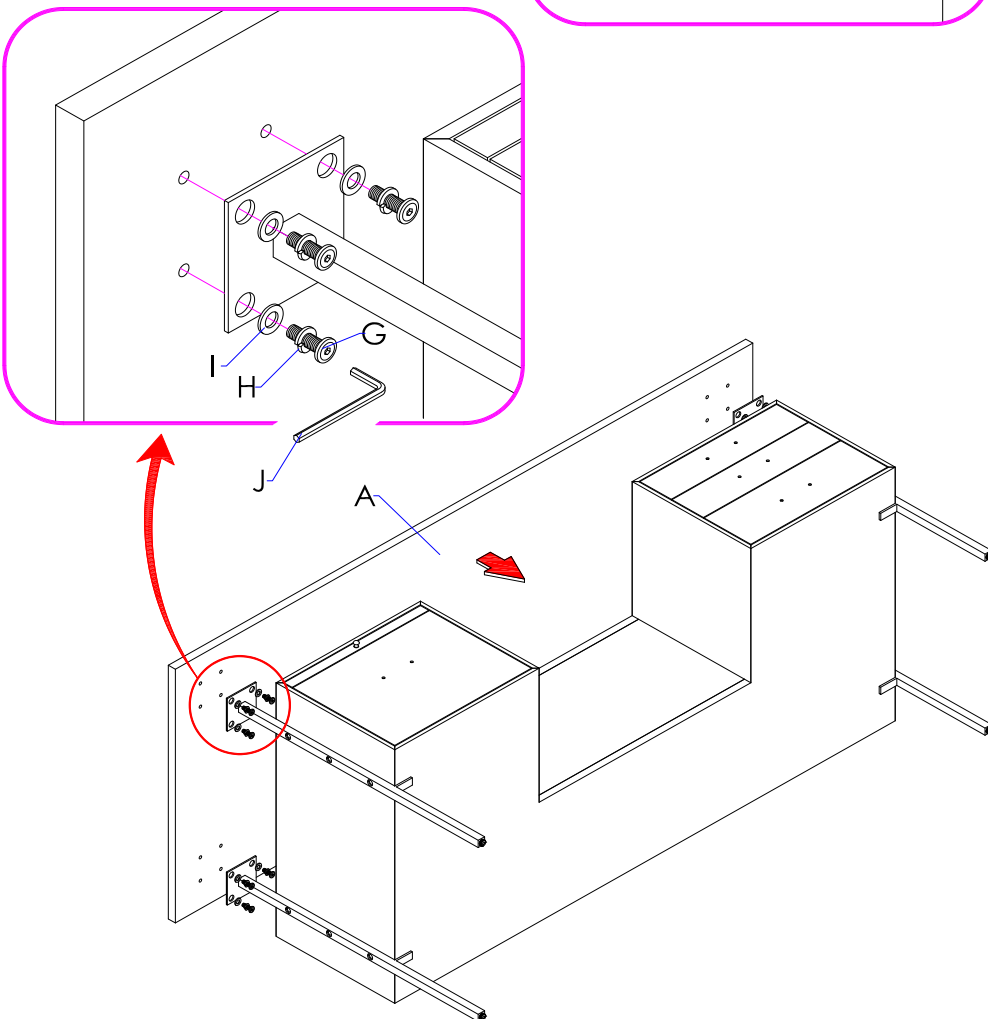
LIVING

## LAUREN DESK

1

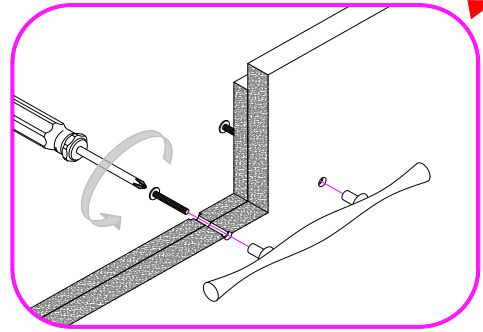
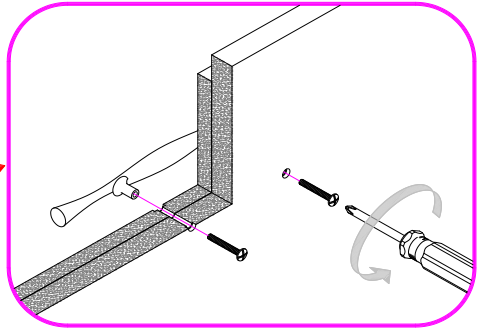
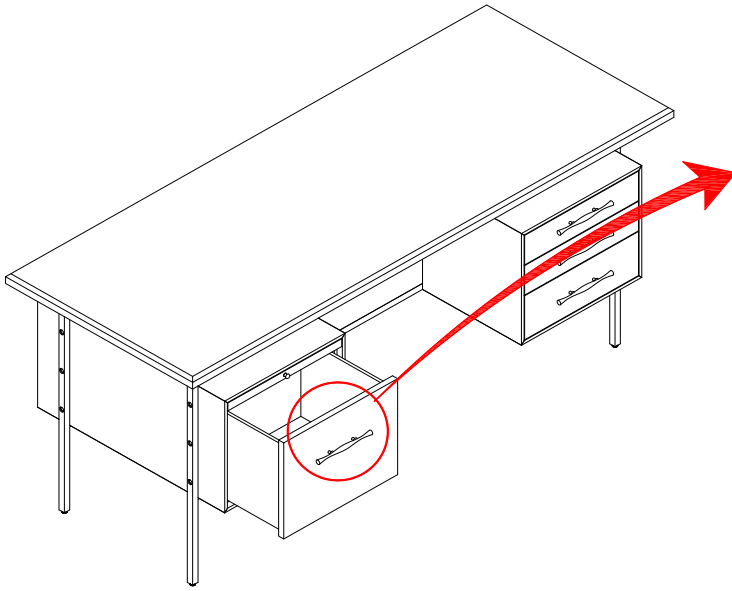


2



A		1
B		4
C		1
D		2
E		1
F	 Ø1/4"x1-1/4"	12
G	 Ø1/4"x13/16"	16
H		16
I		16
J		1
K		12

3



4

