

LSQ

LED Direct Linear

Product Description

The LSQ Architectural LED Direct Linear features a sleek, modern design with a one-piece extruded aluminum housing, solid endcaps, and a clear satin finish for a clean, seamless appearance. Designed for commercial, retail, educational, and healthcare environments, the LSQ delivers broad, uniform illumination through a highly reflective optical chamber and diffused lens. It is well suited for both individual fixtures and continuous-run installations. Installation is fast and flexible with an integral mounting rail and slide-in clips that support surface or pendant mounting. Optional pendant stem and aircraft cable mounting kits are also available. The LSQ is offered in 4-foot and 8-foot lengths and is available in Silver, White, Black, or custom powder-coat finishes.

Construction

- One piece extruded aluminum housing with solid endcaps
- Offered in 4' and 8' lengths
- Designed for individual units or continuous runs
- Available in White, Silver, Black, or Custom finish options

Optical System

- Highly reflective optical chamber and diffused polycarbonate lens provide wide light distribution
- Single-piece diffuser for a seamless appearance
- 90CRI standard, 80CRI available

Electrical

- Universal Input of 120-277V, designed for through wiring.
- Driver delivers full range dimming via 0-10VDC or DALI controls
- Optional emergency battery backup
- Operating Temperature of 32° to 122°F (0°C to 50°C)
- For installations where higher power surge may be possible, NICOR recommends installing additional surge protection at the electrical distribution panel

Controls

- Available in 0-10 or DALI dimming configurations
- DALI configurations require use of DALI certified controls unit (NICOR IMS or other)
- Optional PIR or Microwave sensor options

Mounting and Installation

- Integral mounting-rail design provides for quick installation
- Optional wall mount bracket kit
- Optional cable suspension kit
- Optional pendant mount kit
- Optional surface mount kit
- Optional recessed mount kit

Listings

- cULus1598 Listed for damp locations
- cULus 8750 Listed LEDs
- RoHS Compliant
- Meets FCC Part 15, Subpart B, Class A standards for conducted and radiated emissions
- TM-21 Reported L70(12K) life >72,000 hours, L90(12K) life = 38,000 hours
- LM-79, LM-80 testing performed in accordance with IESNA standards

Sustainability

- USGBC LEED v4/v4.1
- Meets v4 Indoor Environmental Quality (IEQ) Option 1 : Lighting Control requirements
 - Meets v4.1 IEQ Option 2 : CRI =>90 CRI requirement
 - Meets v4/v4.1 Material Requirements (MR) Environmental Product Declaration (EPD) Product Specific Type III requirements
- EPD (Environmental Product Declaration)
- UL Environmental Product Declaration Certified per ISO 14025:2006 and ISO 21930:2017

Warranty

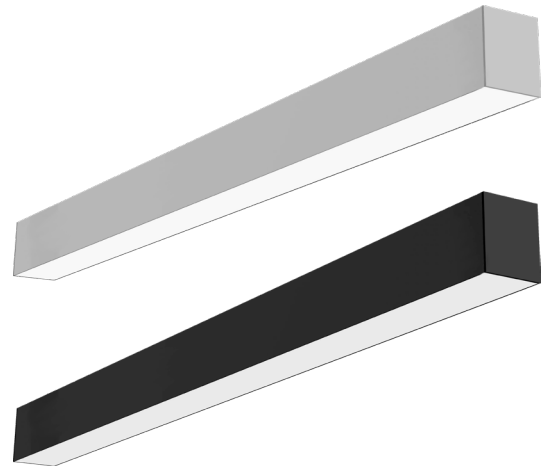
- 5 year limited system warranty standard
- Warranty does not cover product failure due to an overvoltage event (power surge)

Project

Catalog

Type

Date



LSQ
Architectural Linear
4^{FT} and 8^{FT} Lengths



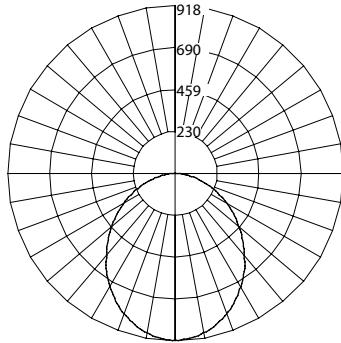
LSQ

LED Direct Linear

Photometric Data

LSQ 4' 3500K "S"

Input Voltage (VAC)	120-277
System Level Power (W)	18.9
Delivered Lumens (Lm)	2400
System Efficacy (Lm/W)	127.0
Correlated Color Temp (K)	3500
Color Rendering Index (CRI)	90
Beam Angle (0°)	98.1
Beam Angle (90°)	104.4
Spacing Criteria (0°)	1.22
Spacing Criteria (90°)	1.18



Intensity Summary (Candle Power)	
Angle	Mean CP
0	918
5	913
15	871
25	788
35	678
45	545
55	407
65	277
75	157
85	50
90	4

Cone of Light Tabulation		
Mounted height (Feet)	Footcandles Beam Center	Diameter (Feet)
4	57	9.2
6	26	13.8
8	14	18.4
10	9	23.0
12	6	27.7
14	5	32.3
16	4	36.9

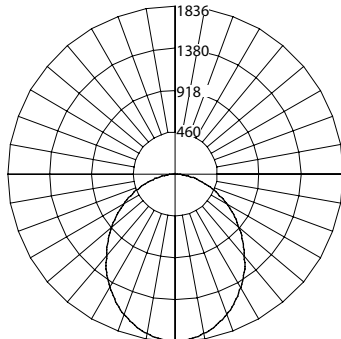
Zonal Lumen Summary		
Zone	Lumens	% of Luminaire
0-30	691	28.8%
0-40	1109	46.2%
0-60	1879	78.3%
0-90	2400	100%
90-180	0	0%
0-180	2400	100%

CCT Data Multiplier		CRI Data Multiplier		Lumen Multiplier	
3000K	0.986	80	1.065	S	1.000
3500K	1.000	90	1.000	B	1.183
4000K	1.040			H	1.358
5000K	1.079			V	1.553

Fixture tested per LM-79-08. Photometric data is of the performance of a representative fixture. Results may vary in the field.

LSQ 8' 3500K "S"

Input Voltage (VAC)	120-277
System Level Power (W)	37.8
Delivered Lumens (Lm)	4800
System Efficacy (Lm/W)	127.0
Correlated Color Temp (K)	3500
Color Rendering Index (CRI)	90
Beam Angle (0°)	98.1
Beam Angle (90°)	104.4
Spacing Criteria (0°)	1.22
Spacing Criteria (90°)	1.18



Intensity Summary (Candle Power)	
Angle	Mean CP
0	1836
5	1826
15	1742
25	1576
35	1356
45	1090
55	814
65	554
75	314
85	100
90	8

Cone of Light Tabulation		
Mounted height (Feet)	Footcandles Beam Center	Diameter (Feet)
4	114	9.2
6	52	13.8
8	28	18.4
10	18	23.0
12	12	27.7
14	10	32.3
16	8	36.9

Zonal Lumen Summary		
Zone	Lumens	% of Luminaire
0-30	1382	28.8%
0-40	2218	46.2%
0-60	3758	78.3%
0-90	4800	100%
90-180	0	0%
0-180	4800	100%

CCT Data Multiplier		CRI Data Multiplier		Lumen Multiplier	
3000K	0.986	80	1.065	S	1.000
3500K	1.000	90	1.000	B	1.183
4000K	1.040			H	1.358
5000K	1.079			V	1.553

Fixture tested per LM-79-08. Photometric data is of the performance of a representative fixture. Results may vary in the field.

This device complies with part 15 of the FCC Rules. Operation is subject to the following two conditions: (1) This device may not cause harmful interference, and (2) this device must accept any interference received, including interference that may cause undesired operation.

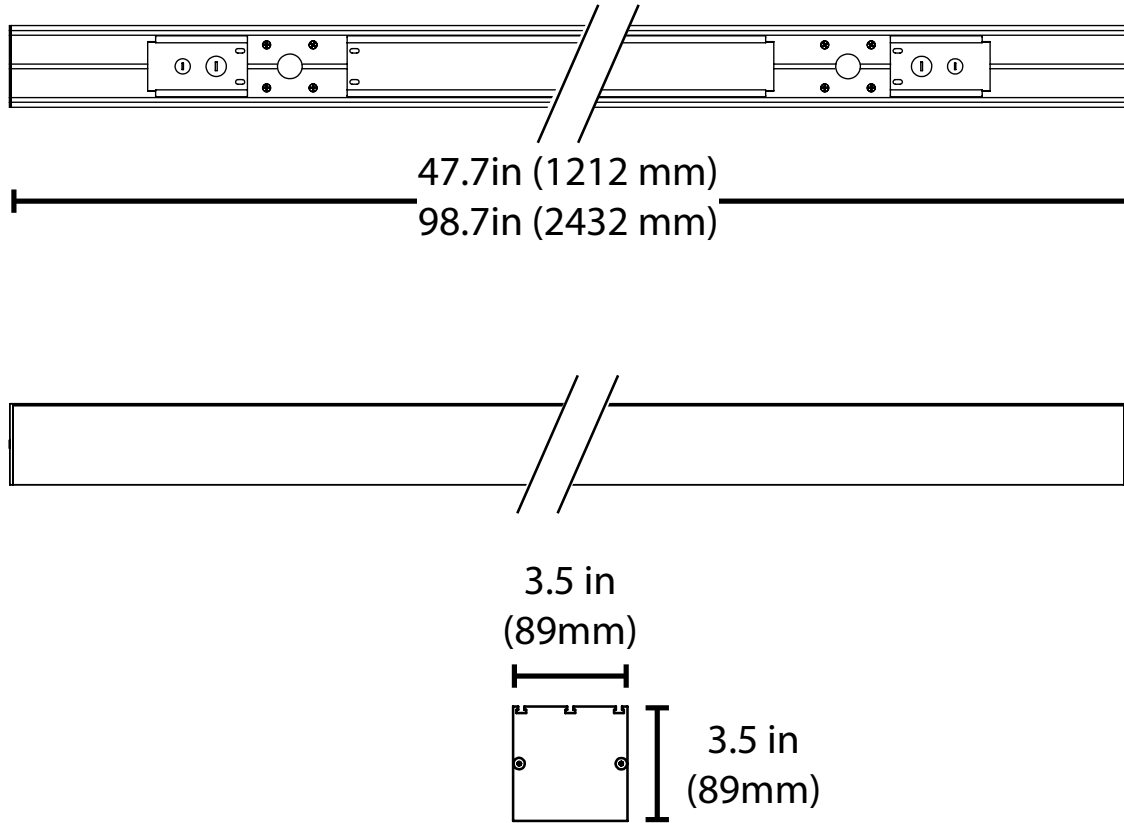
NOTE: This equipment has been tested and found to comply with the limits for a Class A digital device, pursuant to part 15 of the FCC Rules. These limits are designed to provide reasonable protection against harmful interference when the equipment is operated in a commercial environment. This equipment generates, uses, and can radiate radio frequency energy and, if not installed and used in accordance with the instruction manual, may cause harmful interference to radio communications. Operation of this equipment in a residential area is likely to cause harmful interference in which case the user will be required to correct the interference at his own expense.



LSQ

LED Direct Linear

Dimensions



This device complies with part 15 of the FCC Rules. Operation is subject to the following two conditions: (1) This device may not cause harmful interference, and (2) this device must accept any interference received, including interference that may cause undesired operation.

NOTE: This equipment has been tested and found to comply with the limits for a Class A digital device, pursuant to part 15 of the FCC Rules. These limits are designed to provide reasonable protection against harmful interference when the equipment is operated in a commercial environment. This equipment generates, uses, and can radiate radio frequency energy and, if not installed and used in accordance with the instruction manual, may cause harmful interference to radio communications. Operation of this equipment in a residential area is likely to cause harmful interference in which case the user will be required to correct the interference at his own expense.