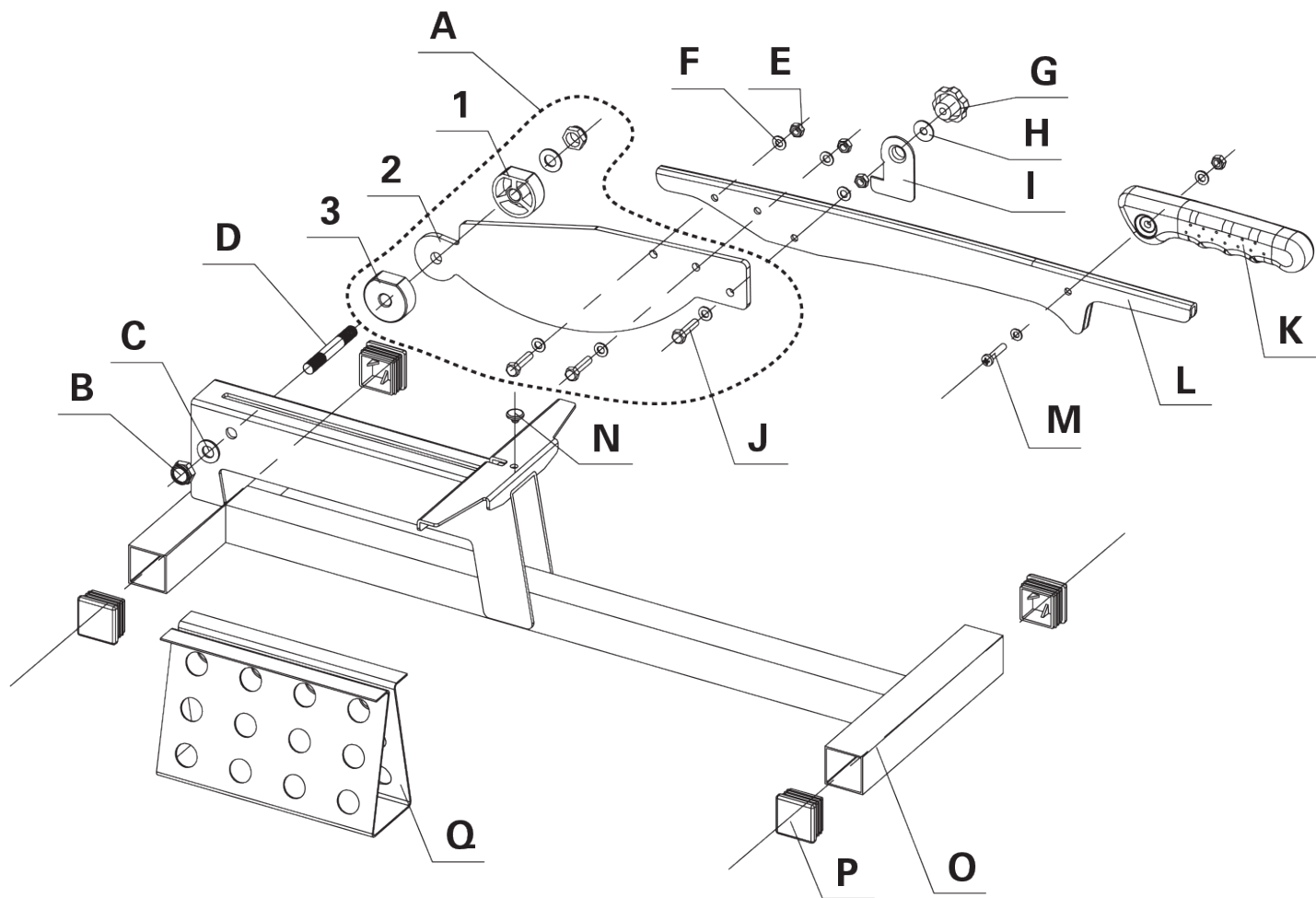


10-35

8" Laminate Cutter



REPLACEMENT PARTS LIST

Part #	Description
10-35-A	Blade Assembly 1- Right Plastic Spacer 2- Cutting Blade 3- Left Plastic Spacer
10-35-B	Locknut M10
10-35-C	Washer Ø10
10-35-D	Axis M10

Part #	Description
10-35-E	Locknut M6 (4)
10-35-F	Washer Ø6 (8)
10-35-G	Plastic Nut
10-35-H	Washer
10-35-I	Hook

REPLACEMENT PARTS LIST

Part #	Description
10-35-J	Screw M6x17 (3)
10-35-K	Plastic Handle
10-35-L	Steel Handle
10-35-M	Screw

Part #	Description
10-35-N	Rubber Mat
10-35-O	Cutter Base
10-35-P	Bulkhead (4)
10-35-Q	"V" Support