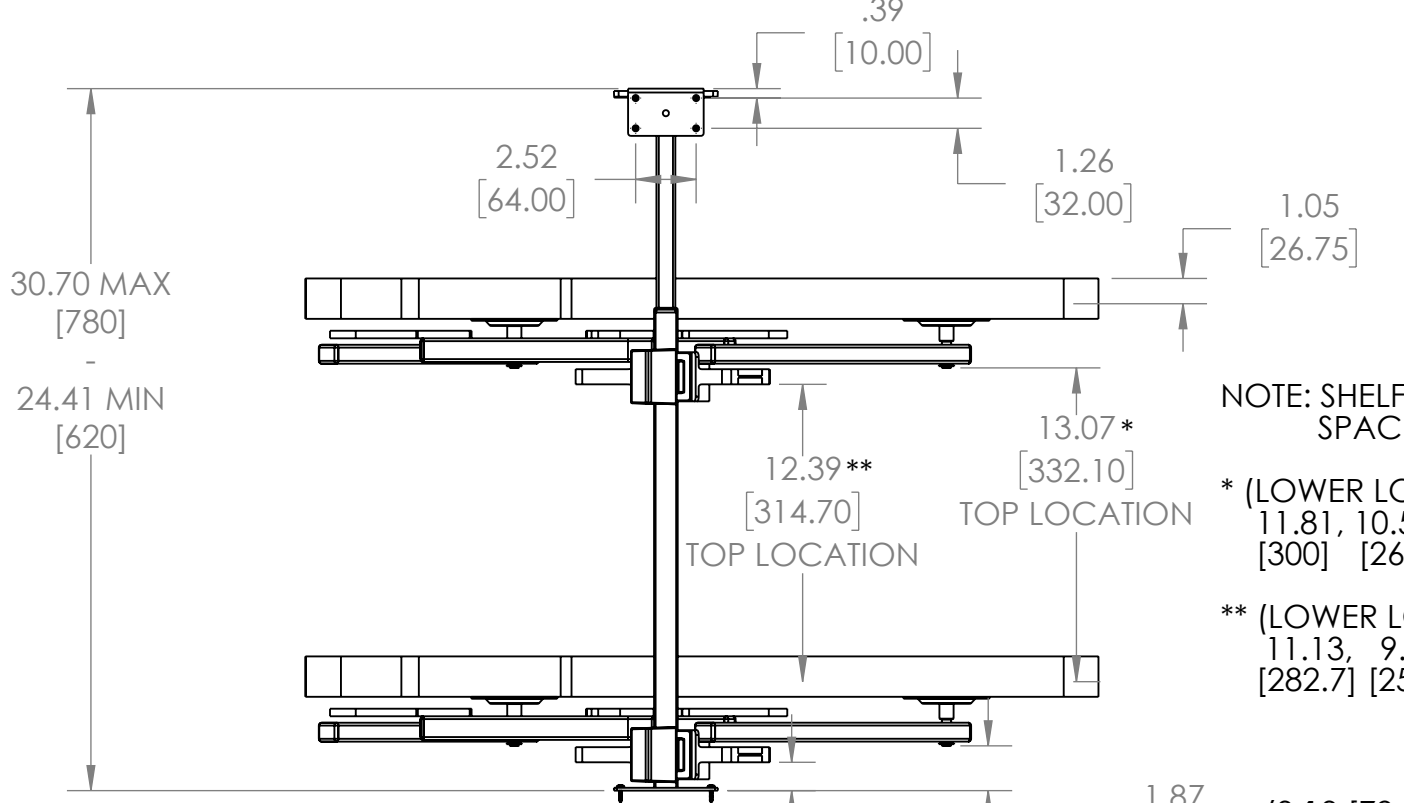
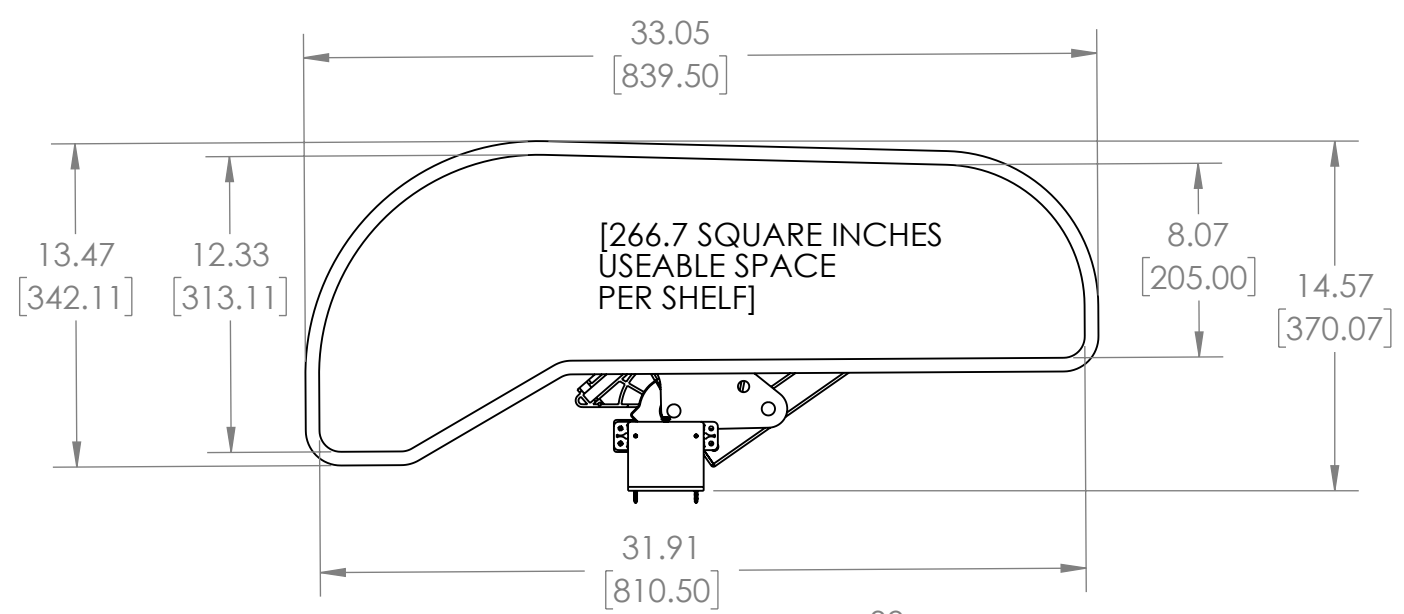


4

3

2

1

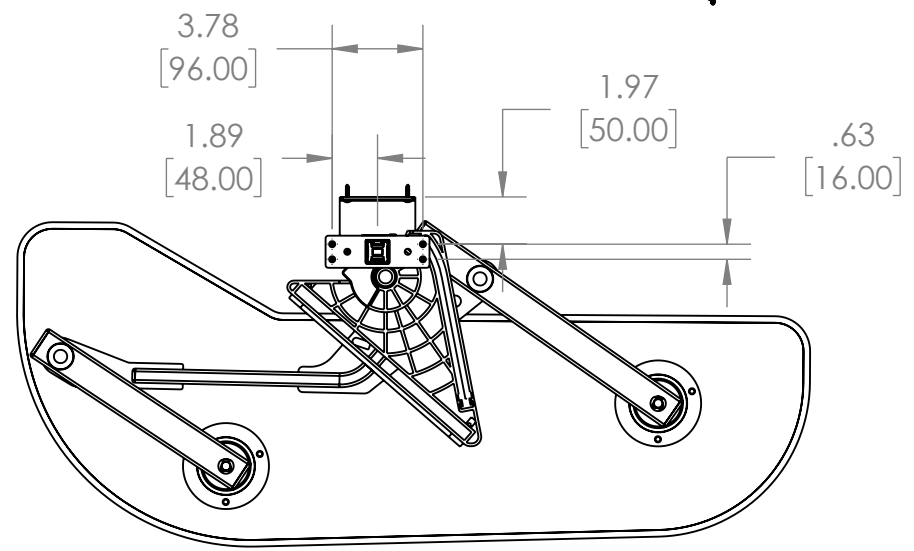
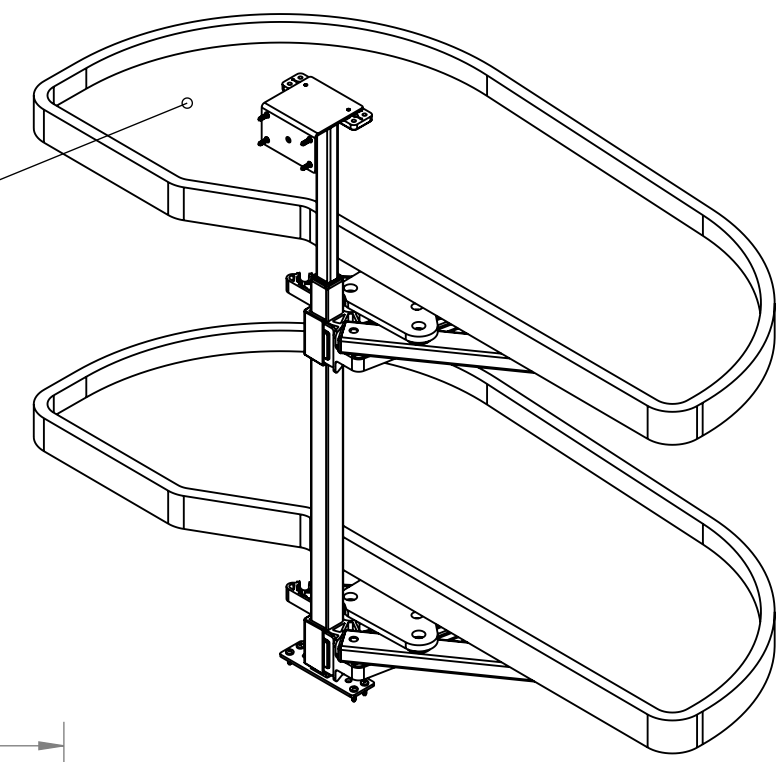


NOTE: SHELF ADJUSTMENT SPACING IS 1.26 [32]

* (LOWER LOCATIONS 11.81, 10.55, 9.29) [300] [268] [236]

** (LOWER LOCATIONS 11.13, 9.87, 8.61) [282.7] [250.7] [218.7]

33 POUNDS (PER SHELF) CAPACITY



BOTTOM VIEW

CUSTOMER DRAWING

UNCONTROLLED IF PRINTED



PROPRIETARY AND CONFIDENTIAL
 This drawing is the property of Rev-A-Shelf LLC (RAS) and is disclosed in confidence to the extent its subject matter is original to RAS. Any vendor receiving this drawing from RAS shall hold and use this drawing for the sole benefit of RAS and shall not disclose it to, or use or reproduce it for any third party, or perform any act adverse to the interest of RAS with respect to this drawing without the express written permission of RAS. Vendors shall not revise any physical, dimensional or performance characteristic unless authorized by Rev-A-Shelf Engineering.

REV	DATE	BY	DESCRIPTION OF CHANGE

UNLESS OTHERWISE SPECIFIED:		
TOLERANCES = INCH/(MM)		
MAT. DEC.		
(WOOD) .XX +/--.03 [8mm]		
(OTHER) .XX +/--.02 [5mm]		
(ALL) .XXX +/--.005 [13 mm]		
FRACTIONS +/-1/32 [8 mm]		
ANGLES +/-1/2°		
First Angle Projection		
MATERIAL	FINISH	
DO NOT SCALE DRAWING	NAME	DATE
DRAWN	KRR	1-22-24

Description:		
2-TIER PULLOUT WOOD ORGANIZER LEFT DOOR/BLIND RIGHT		
PART NO. 4WLS87-12-L		
SIZE	DWG. NO.	REV
B	4WLS87-12-L	
SCALE: 1:8	WEIGHT:	SHEET 1 OF 3

4

3

2

1

4

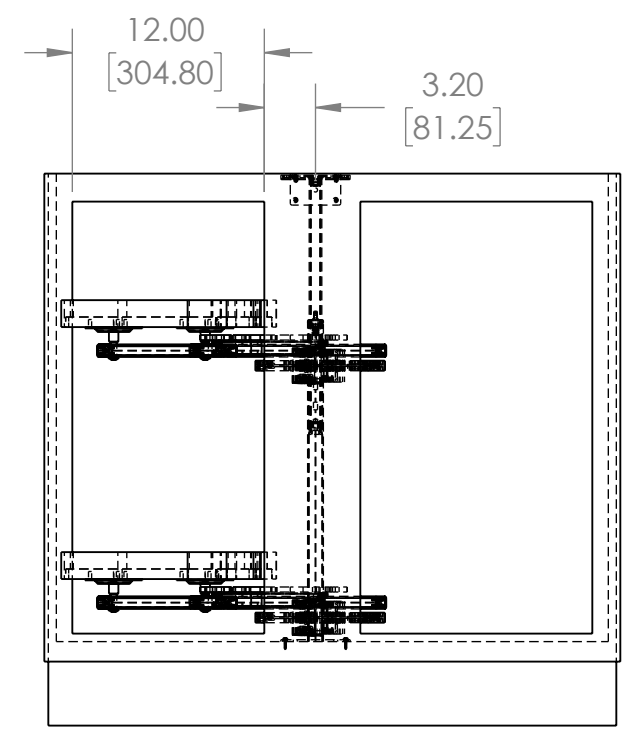
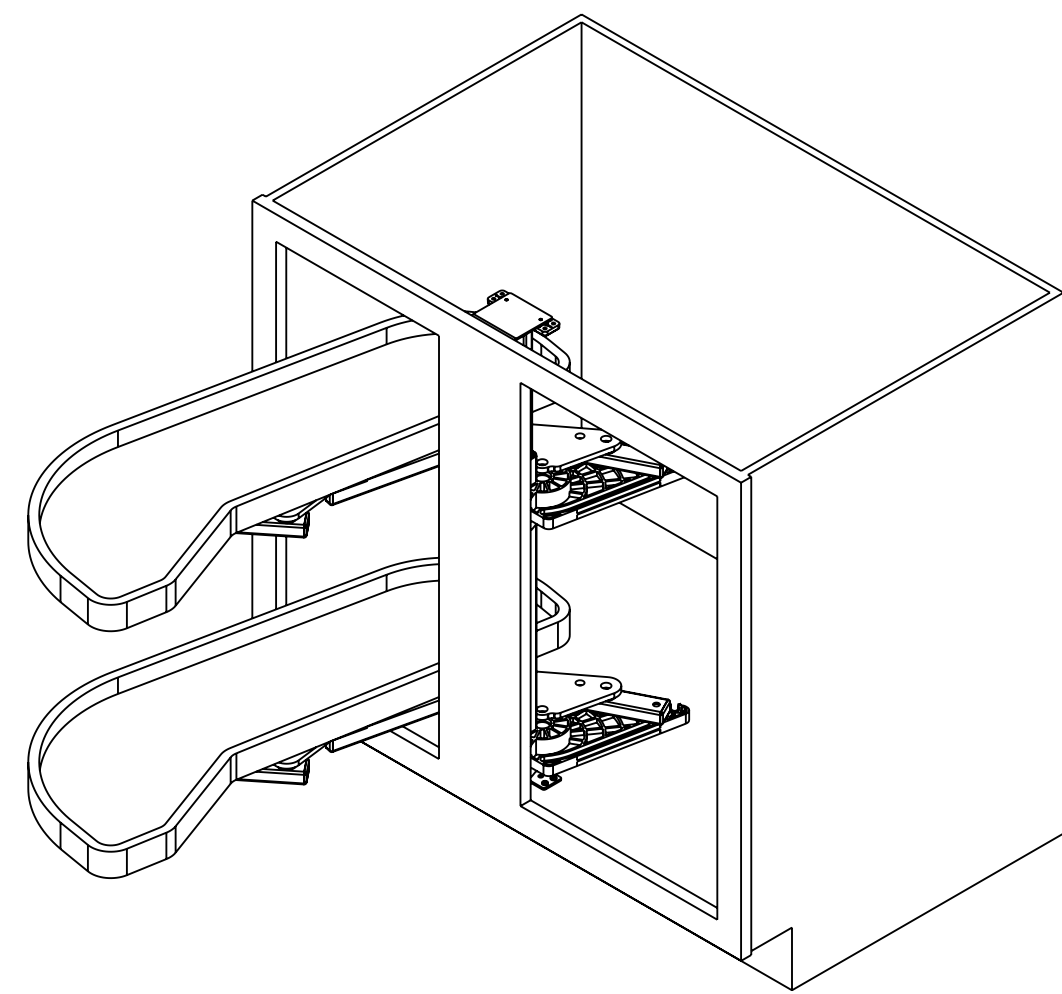
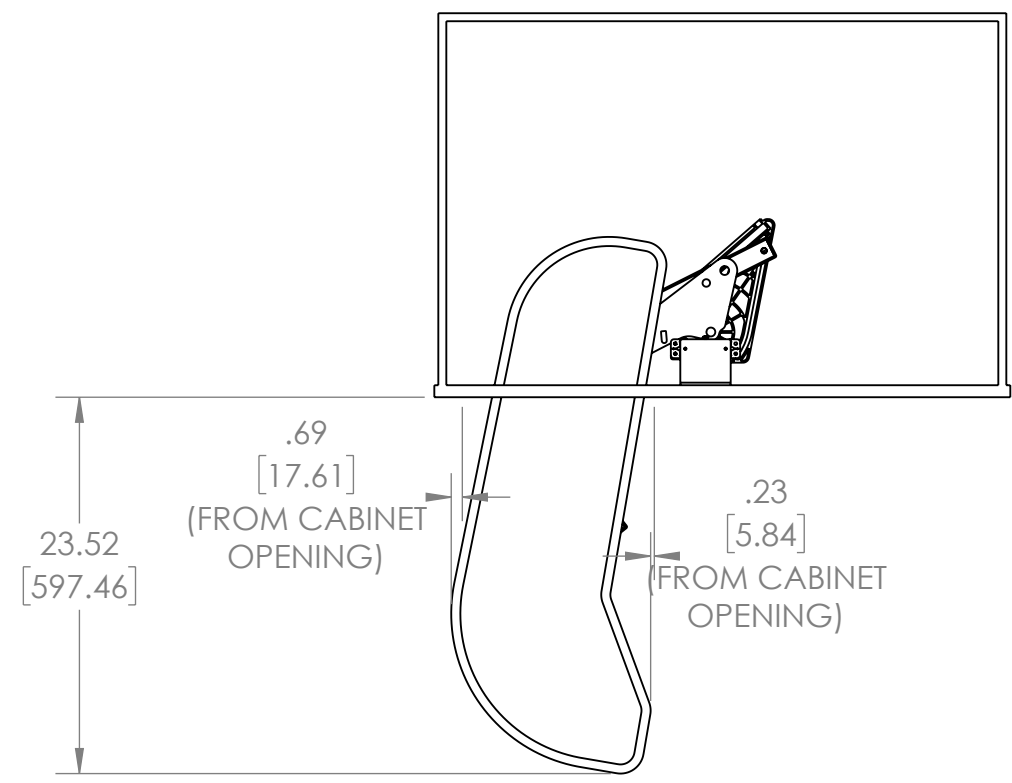
3

2

1

B

B



A

A

CUSTOMER DRAWING

UNCONTROLLED IF PRINTED



PROPRIETARY AND CONFIDENTIAL
 This drawing is the property of Rev-A-Shelf LLC (RAS) and is disclosed in confidence to the extent its subject matter is original to RAS. Any vendor receiving this drawing from RAS shall hold and use this drawing for the sole benefit of RAS and shall not disclose it to, or use or reproduce it for any third party, or perform any act adverse to the interest of RAS with respect to this drawing without the express written permission of RAS. Vendors shall not revise any physical, dimensional or performance characteristic unless authorized by Rev-A-Shelf Engineering.

REV	DATE	BY	DESCRIPTION OF CHANGE

UNLESS OTHERWISE SPECIFIED:		
TOLERANCES = INCH/(MM)		
MAT. DEC.		
(WOOD) .XX +/- .03 [.8mm]		
(OTHER) .XX +/- .02 [.5mm]		
(ALL) .XXX +/- .005 [.13 mm]		
FRACTIONS +/- 1/32 [.8 mm]		
ANGLES +/- 1/2°		
First Angle Projection		
MATERIAL	FINISH	
DO NOT SCALE DRAWING	NAME	DATE
DRAWN	KRR	1-22-24

Description:		
2-TIER PULLOUT WOOD ORGANIZER LEFT DOOR/BLIND RIGHT		
PART NO. 4WLS87-12-L		
SIZE	DWG. NO.	REV
B	4WLS87-12-L	
SCALE: 1:12 WEIGHT:		SHEET 2 OF 3

4

3

2

1

4

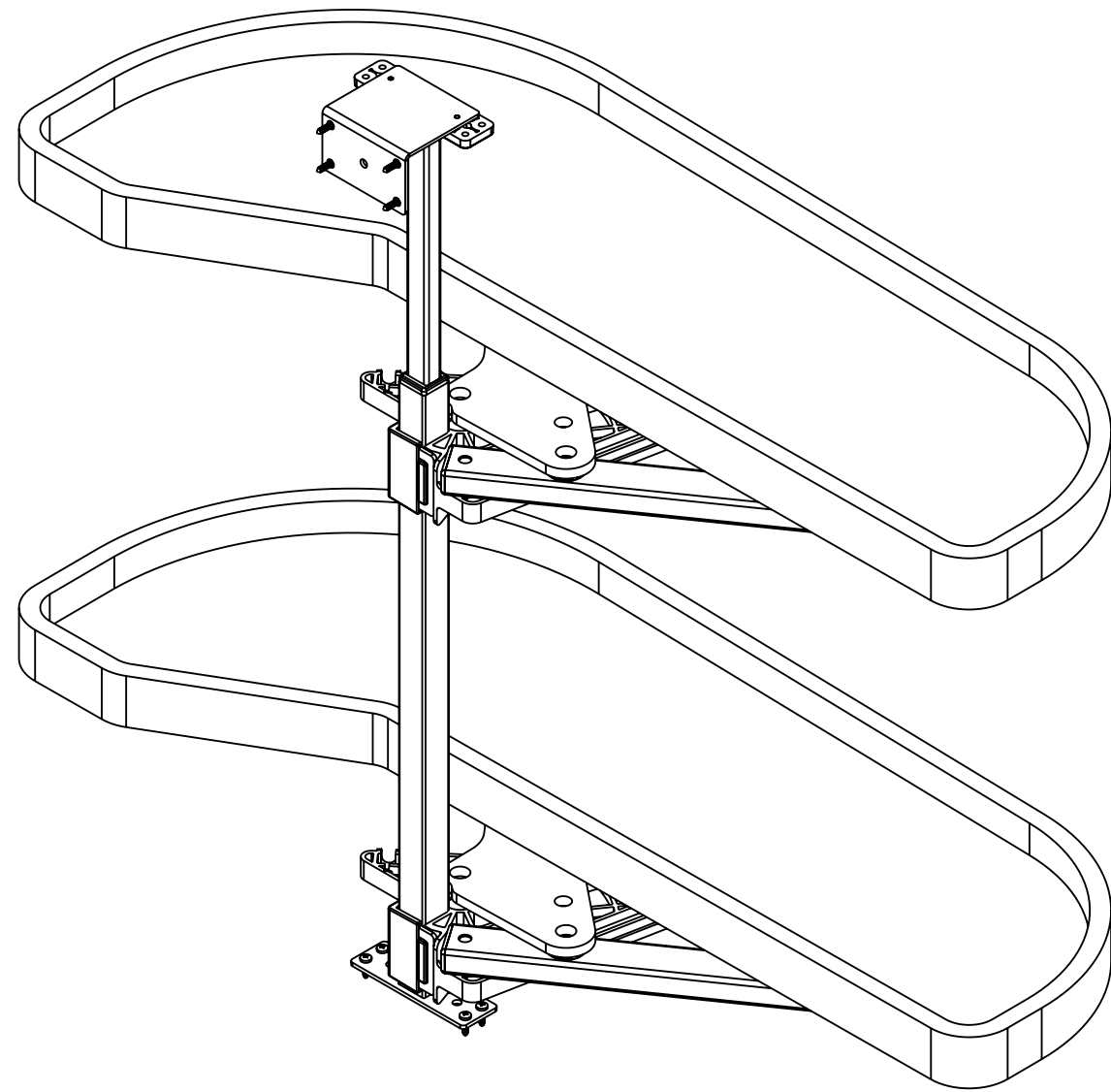
3

2

1

B

B



PART DIMENSIONS	
WIDTH	33.05 [839.50]
DEPTH	14.57 [370.07]
HEIGHT	24.41 [620] MIN.

MIN CABINET OPENING				
	FACE FRAME	FRAMELESS	INSET FACE FRAME	INSET FRAMELESS
WIDTH	12.00 [304.8]	13.50 [342.9]	12.00 [304.8]	13.50 [342.9]
DEPTH	22.50 [571.5]	22.50 [571.5]	22.50 [571.5]	22.50 [571.5]
HEIGHT *	18.50 [469.9]	18.50 [469.9]	18.50 [469.9]	18.50 [469.9]

* WITH TOP SHELF IN THE LOWEST POSITION

A

A

CUSTOMER DRAWING

UNCONTROLLED IF PRINTED



PROPRIETARY AND CONFIDENTIAL
 This drawing is the property of Rev-A-Shelf LLC (RAS) and is disclosed in confidence to the extent its subject matter is original to RAS. Any vendor receiving this drawing from RAS shall hold and use this drawing for the sole benefit of RAS and shall not disclose it to, or use or reproduce it for any third party, or perform any act adverse to the interest of RAS with respect to this drawing without the express written permission of RAS. Vendors shall not revise any physical, dimensional or performance characteristic unless authorized by Rev-A-Shelf Engineering.

REV	DATE	BY	DESCRIPTION OF CHANGE

UNLESS OTHERWISE SPECIFIED:		Description:	
TOLERANCES = INCH/(MM) MAT. DEC. (WOOD) .XX +/- .03 [.8mm] (OTHER) .XX +/- .02 [.5mm] (ALL) .XXX +/- .005 [.13 mm] FRACTIONS +/- 1/32 [.8 mm] ANGLES +/- 1/2°		2-TIER PULLOUT WOOD ORGANIZER LEFT DOOR/BLIND RIGHT	
First Angle Projection		PART NO. 4WLS87-12-L	
MATERIAL	FINISH	SIZE B	DWG. NO. 4WLS87-12-L
DO NOT SCALE DRAWING	NAME	DATE	REV
DRAWN	KRR	1-22-24	SCALE: 1:5
WEIGHT:		SHEET 3 OF 3	

4

3

2

1