

Albeo® ALC6 Series

LED Linear Industrial Low Bay



CUSTOMER NAME _____

Project Name _____

Date _____ Type _____

Catalog Number _____

The **Albeo® ALC6 Series** LED luminaire is an efficient alternative to less decorative linear fixtures for a variety of commercial/industrial, low bay, stairwell garage lighting uses. While ideal for industrial applications, the sleek, attractive extruded design is attractive for retail and commercial settings too! ALC6 can be matched with Daintree® motion, daylight and wireless controls from stand alone operation, zone based control or fully networked solutions for increased energy savings. Designed to meet recommended luminance and illuminance requirements for low bay and task level lighting applications, a wide diffuser option is available for parking garage & general lighting applications as well.

CONSTRUCTION

Housing:	Aluminum extruded body
Lens:	Polycarbonate diffused, acrylic clear
Paint:	Powder coat post painted <i>No glass in housing or lenses</i>
Weight:	4 ft. - 11lbs max; 8 ft. - 19lbs max

PERFORMANCE

Distribution:	120° Diffused Lens & 160° Wide Clear Lens
Lumens:	2,000–20,000 lumens
Efficacy:	Up to 160 LPW
CCT:	3000K, 3500K, 4000K, 5000K
CRI:	80 CRI Standard (90CRI Contact factory for lead-times)

ELECTRICAL

Input Voltage:	120–277V, 347V, or 480V
Input Frequency:	50/60 Hz
LED Driver Type:	Class 2, 3kV surge protection
Power Factor (PF)*:	>0.9*
Total Harmonic Distortion (THD)*:	<20%*
EMI:	FCC CFR Title 47 Part 15, Class A

* PF and THD may vary with options

CONTROLS

High-end trim, occupancy and ambient light detection with dimming available. Wireless Daintree® options available.

LUMINAIRE AMBIENT TEMPERATURE

TYPE	TEMPERATURE RATE
OPERATING TEMPERATURE	-30°C to +50°C (-22°F to 122° F)
STORAGE TEMPERATURE	-40°C to +70°C (-40°F to 158° F)

LUMEN MAINTENANCE

LXX(10K) @ Hours 100,000 HR
L70
TM-21 Calculation at 25°C: L90 @ 100,000 hrs

ADDITIONAL FEATURES

- **Typical Mounting:** Standard Chain/Cable or Surface mount ready
- **Standard:** knockout access (no cord, no plug)
 - 6 ft. 18-3 – Cord A
 - 12 ft. 18-3 – Cord B
 - 15A, 20A, Straight or twist lock plug – Plug A, B, C, or D

DESIGN LIFE & WARRANTY

- **Reliability Testing:** Components and/or systems evaluation at extreme conditions and monitored during production.
- Please refer to the DLC QPL website for the latest and most complete information: <http://www.designlights.org/QPL>
- UL 1598 Suitable for Damp Locations
- RoHS compliant
- **Current's Limited 5-year Warranty:**
Please refer to document [ALB048](#) for more information.

Albeo® ALC6 Series

LED Linear Industrial Low bay

Catalog Logic and Accessories

CUSTOMER NAME _____

Project Name _____

Date _____ Type _____

Catalog Number _____

ORDERING INFORMATION

ALC6

T

W

PRODUCT ID	VOLTAGE	FIXTURE LENGTH	LUMEN OUTPUT	PERFORMANCE LEVEL	LED COLOR TEMP	OPTICS BEAM	FIXTURE TYPE	SENSOR/WIRELESS	CONTROL WIRING	EMERGENCY	MOUNTING	CORD	PLUG	FINISH	OPTIONS
ALC6 = Albeo Linear ALC Series 6th Gen	0 = 120-277 1 = 120* 4 = 277* D = 347* 5 = 480*	4T = 4 ft	02 = 2,000	T = Standard Efficiency	80 Plus CRI 38 = 3000K C8 = 3500K 48 = 4000K 58 = 5000K 90 Plus CRI 39 = 3000K C9 = 3500K 49 = 4000K 59 = 5000K	Diffused Lens = Maximum Glare Reduction 1D = 120° Diffused Lens WC = Wide Clear 160° Parking Garage Optic	S = Stand Alone C = Continuous Runs Note = For Continuous Runs, Starter Kit 93094637 must be ordered for each run.	Q = None A = Occ Sense On/Off 360° LSXR B = Occ Sense High-Low Dimming 360° LSXR P = Daylight Sense W/ Occupancy On/Off LSXR W = Bi-Level Dimming/ Stairwell Setting Sensor	Q = No 0-10V dimming V = External 0-10V Control Wires Note = V option not available with dimming & ZigBee sensors	Q = None E = Battery Backup Note = Battery Backup not available at 347/480V	ST = Standard	K = Knockout A = 6ft. 18ga cord B = 12ft. 18ga cord	Q = None A = 15A Straight Plug B = 20A Straight Plug C = 15A Twistlock Plug D = 20A Twistlock Plug	W = White Powder Coat	Blank = No Special Options 1PK = Single Pack (For distributor stocking. Default is job pack not 1PK).
			03 = 3,000												
			04 = 4,000												
			05 = 5,000												
			06 = 6,000												
			08 = 8,000												
	*Specify single voltage if plug, sensor, or wireless needed.	8T = 8 ft	04 = 4,000	06 = 6,000	08 = 8,000	10 = 10,000	12 = 12,000	16 = 16,000	20 = 20,000						

ORDERING NOTES:

- DF, FB, and NA only available for Stand Alone fixture type.

80 CRI @ 5000K CCT					
FIXTURE LENGTH	OUTPUT LUMENS	TYPICAL DELIVERED LUMENS	TYPICAL POWER		TYPICAL LPW 120-277V
			120-277V	347/480V	
4 ft	2,000	2,000	14	16	143
4 ft	3,000	3,000	20	22	150
4 ft	4,000	4,000	27	29	148
4 ft	5,000	4,900	34	36	144
4 ft	6,000	5,900	42	44	140
4 ft	8,000	7,800	59	67	132
4 ft	10,000	9,600	80	87	120
8 ft	4,000	4,000	25	28	160
8 ft	6,000	6,000	38	41	158
8 ft	8,000	7,900	52	60	152
8 ft	10,000	9,900	67	75	148
8 ft	12,000	11,800	83	91	142
8 ft	16,000	15,600	118	129	132
8 ft	20,000	19,200	159	173	121

CRI	CCT	T OUTPUT
80 CRI	5000K	100%
	4000K	98%
	3500K	97%
	3000K	93%
90 CRI	5000K	89%
	4000K	85%
	3500K	83%
	3000K	81%

ACCESSORIES, OPTIONS & PACKAGING

Emergency Battery:	Integral EM battery option provides 90-minutes of emergency lighting. Design lumen output: 2000lm at 5000K 80CRI.
Packaging:	Standard packaging is job pack/bulk pack consisting of 1 to 4 fixtures per package reducing un-pack time at the job site. Single Pack (for stocking)—Option 1PK
Wire guards:	White painted wire guard for added protection. Easy field installation. SKU# 93095697 Two kits needed for 8ft fixtures
Continuous Run:	One starter kit needed per run. SKU# 93095878. Each kit includes endcaps, starter whip, and male/female orientation adapter.

Albeo[®] ALC6 Series

LED Linear Industrial Low bay

Dimensions

CUSTOMER NAME

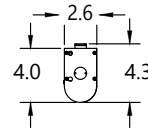
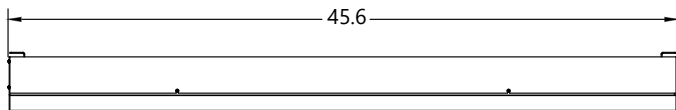
Project Name _____

Date _____ Type _____

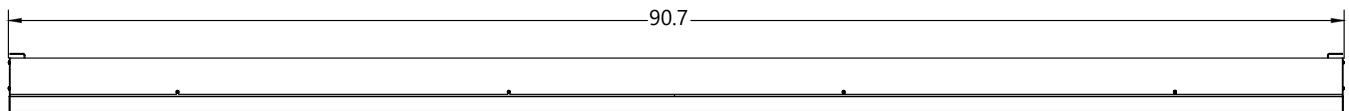
Catalog Number _____

ALC6 SERIES MODULAR FIXTURE

4 Ft.



8 Ft.



Albeo® ALC6 Series

LED Linear Industrial Low bay

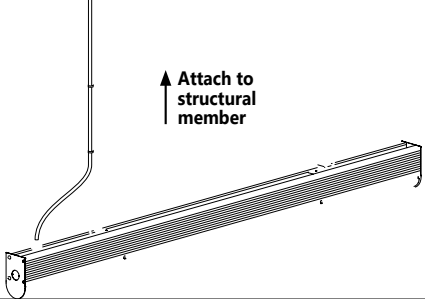
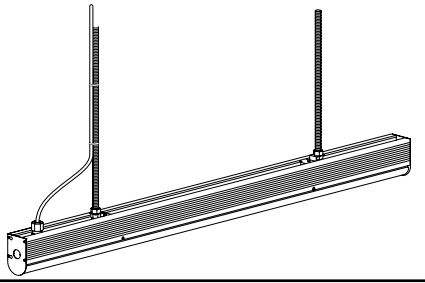
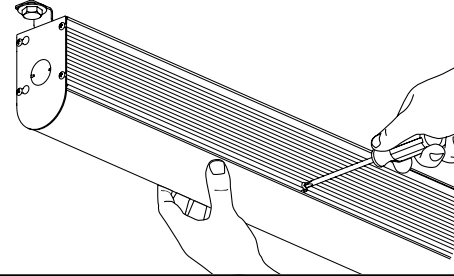

Mounting & Accessories

CUSTOMER NAME

Project Name _____

Date _____ Type _____

Catalog Number _____

MOUNTING OPTIONS	IMAGE	ORDER LOGIC CODE
<p>Standard Chain/Cable Mount Available on all fixture configurations (chain not included). Cable w/ hook can be ordered as an accessory.</p>		<p>ST = Standard</p>
<p>Rod Mount (Optional) Available with all fixture configurations. Standard mounting option is rod mount ready. Attaches to 1/2" threaded rod (rod and nuts not included)</p>		<p>ST = Standard</p>
<p>Surface Mount (Optional) Available on all fixture configurations. Standard mounting option is surface mount ready.</p>		<p>ST = Standard</p>
<p>Cable with Toggle (Optional) Order separately. 5 ft., 10 ft., 15 ft., lengths available.</p>		<p>51 = Cable/Toggle 5 ft. - Pair 52 = Cable/Toggle 10 ft. - Pair 53 = Cable/Toggle 15 ft. - Pair Max Load 200 lbs. Per Pair</p>