

Thank you for choosing this quality product. Be sure to check all packaging materials carefully for small parts that may have become loose during shipment and place all parts on a non-abrasive surface.

IMPORTANT :These parts can be cumbersome and heavy to some people, therefore the assistance of two or more people is recommended in order to prevent personal injury and insure the furniture is not damaged during the assembly Process.

PART LIST

- A. [1] CHAIR
- B. [2] FRONT LEGS (LEFT & RIGHT)
- C. [2] BACK LEGS (LEFT & RIGHT)

INSTRUCTIONS

1. Identifying location the all leg. See **FIGURE 01**
2. Lay the chair on a flat surface.
3. Attach the legs (B)/(C) to the chair (A). Align and insert Allen bolt (1), lock washer (2) and flat washer (3), Tighten all the bolts by using Allen wrench (4) . See **FIGURE 02**.
4. Turn the chair into upright position.

HARDWARE LIST





NO	DESCRIPTION	QTY
1	 ALLEN BOLT	12
2	 LOCK WASHER	12
3	 FLAT WASHER	12
4	 ALLEN WRENCH	1

FIGURE 01

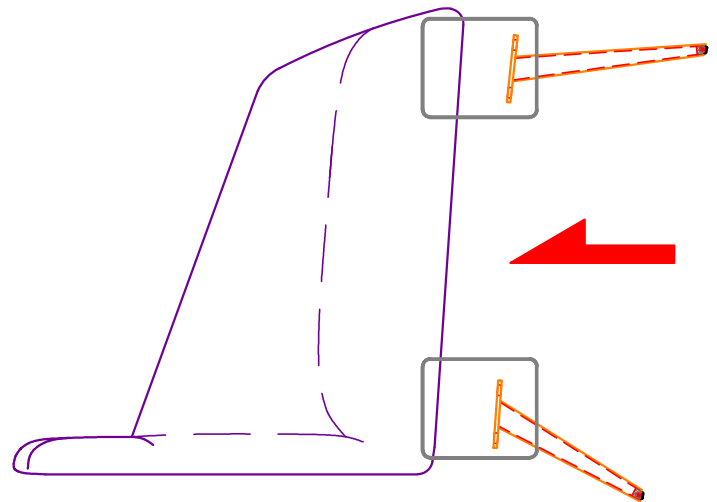
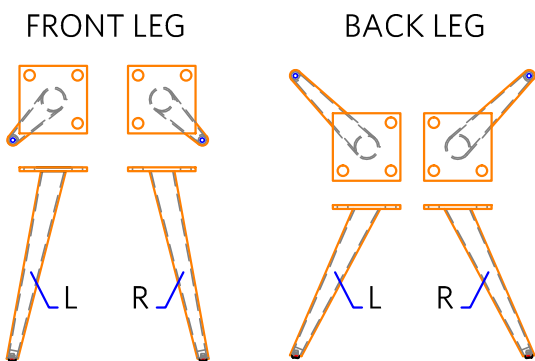


FIGURE 02

