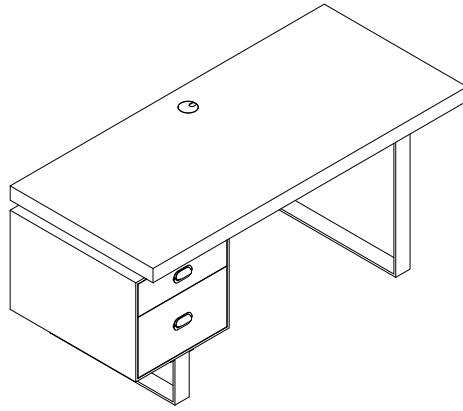


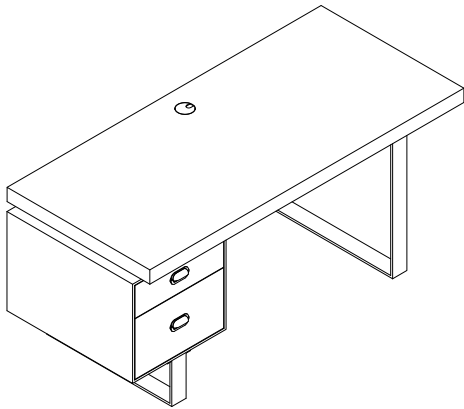
CHARLES DESK



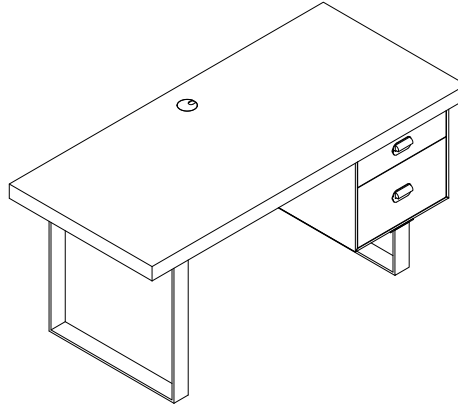
A	1
B	1
C	1
D	1
E	1
F	18
G	18
H	18

IMPOTANT: DETERMINE OPTION

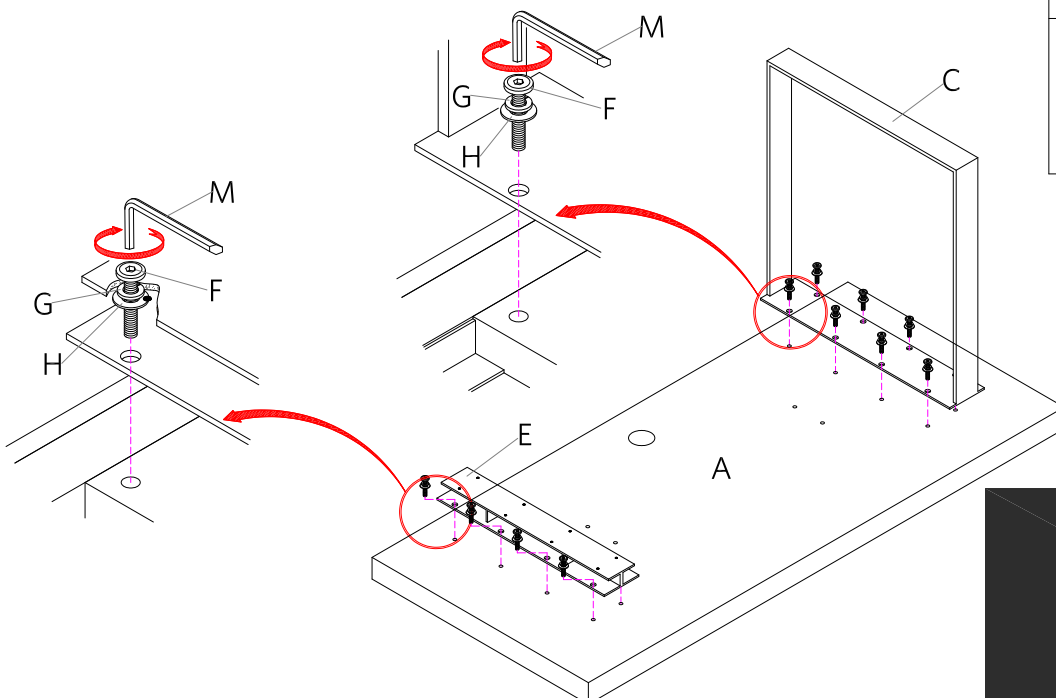
OPTION A



OPTION B

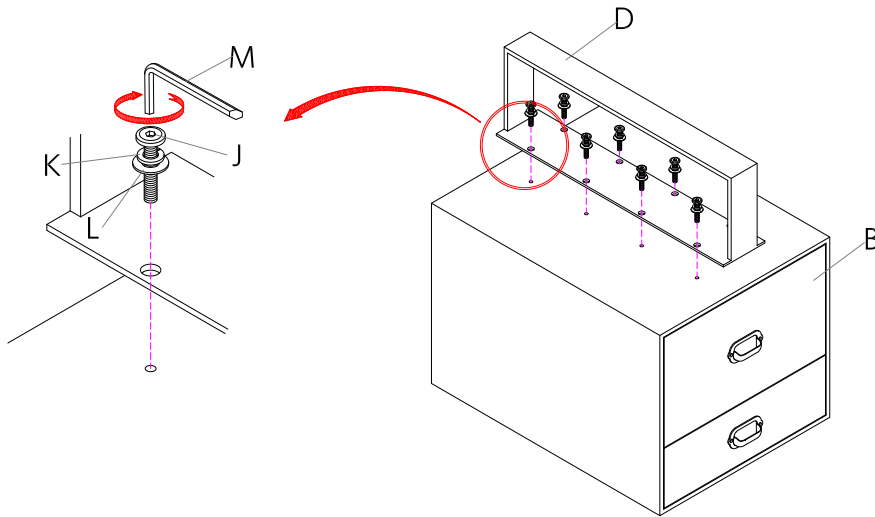


1

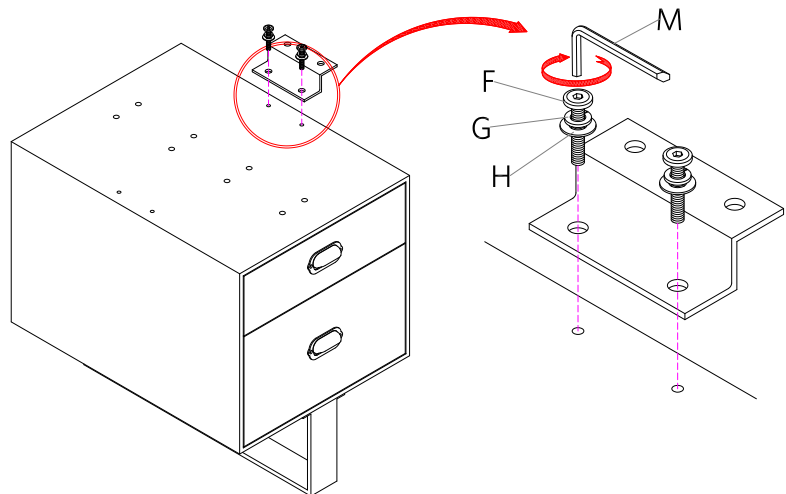


CHARLES DESK

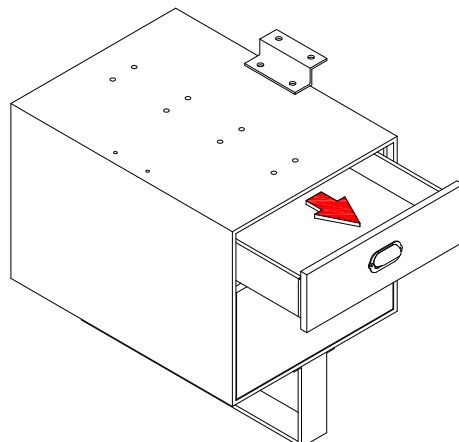
2

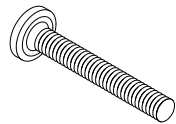
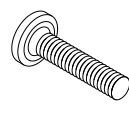
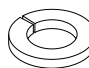
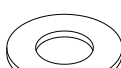
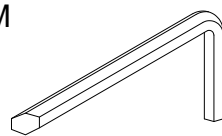
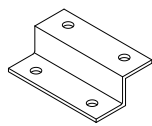


3



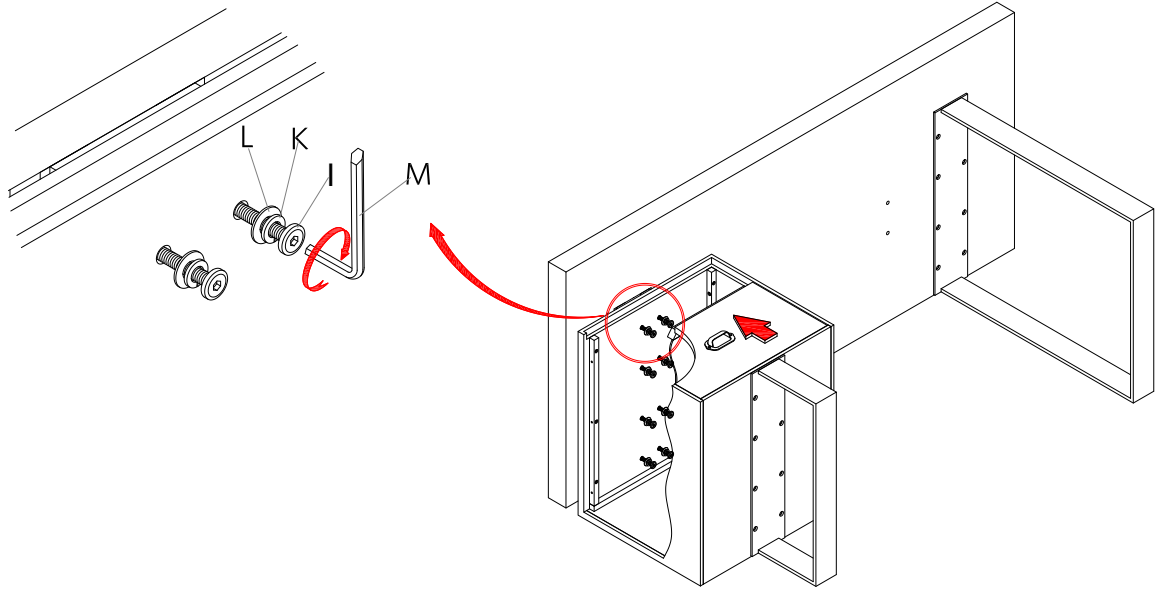
4



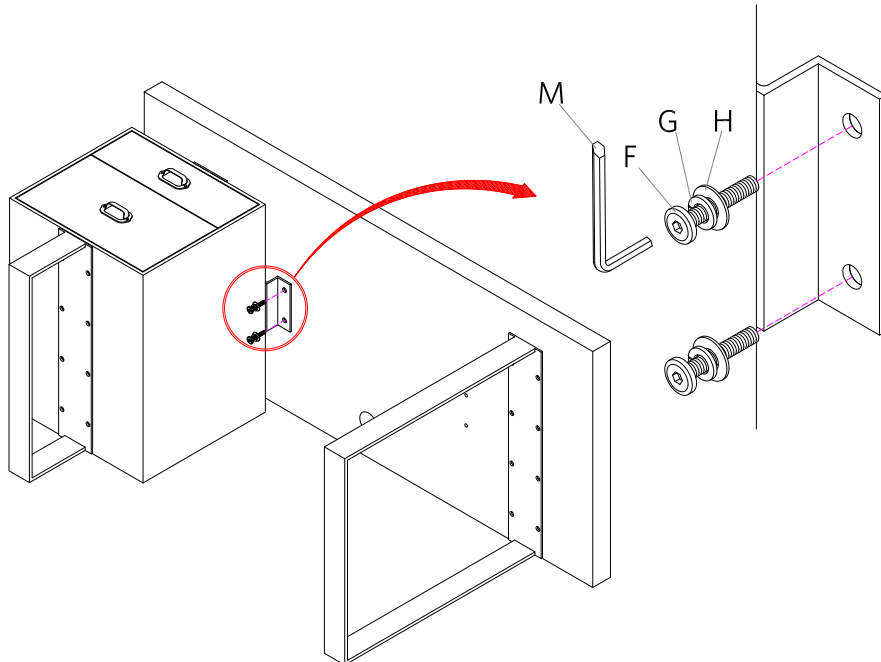
I	 1/4" X 1-3/8"	8
J	 1/4" X 1"	10
K	 Ø10 X Ø6.5MM	18
L	 Ø19 X Ø6.5MM	18
M		1
N		1

CHARLES DESK

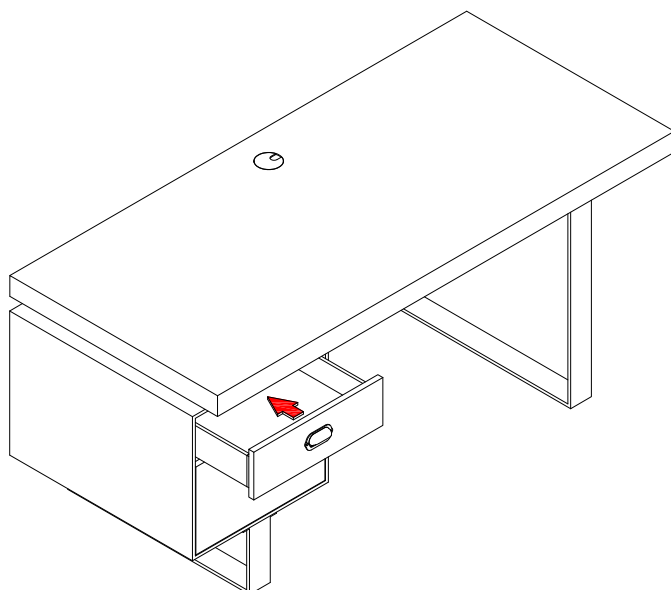
5



6



7



biña
FOR Resource
Decor

1
2
3
4
5
6
7
8
9
10
11
12
13
14
15
16
17
18
19
20
21
22
23
24
25
26
27
28
29
30
31
32
33
34
35
36
37
38
39
40
41
42
43
44
45
46
47
48
49
50
51
52
53
54
55
56
57
58
59
60
61
62
63
64
65
66
67
68
69
70
71
72
73
74
75
76
77
78
79
80
81
82
83
84
85
86
87
88
89
90
91
92
93
94
95
96
97
98
99
100