

# RM4 LED Wayside Colorlight Signal Modules

8 inch (200 mm)  
120V AC - 70 Series



Project Name \_\_\_\_\_

Date \_\_\_\_\_ Type \_\_\_\_\_

Notes \_\_\_\_\_



## OUTSTANDING RELIABILITY

- Self-contained design provides protection against moisture and dust
- Backed by a 48 month limited warranty
- Over 210,000 wayside signals sold worldwide

## EXCELLENT APPEARANCE & VISIBILITY

- Robust LED system design enables high luminous intensity over long product life
- Efficient optical system delivers uniform color across both wide- and narrow-beam signals
- Sun Phantom reducing features have been incorporated in our design
- Easy to install and align
- Constant light output over operating voltage range

## MEETS RIGOROUS CERTIFICATION & TESTING STANDARDS

- Meets key AREMA recommended practices
- All lamps undergo comprehensive testing in the manufacturing plant

**RM4 - Wayside**

# RM4 LED Wayside Colorlight Signal Modules

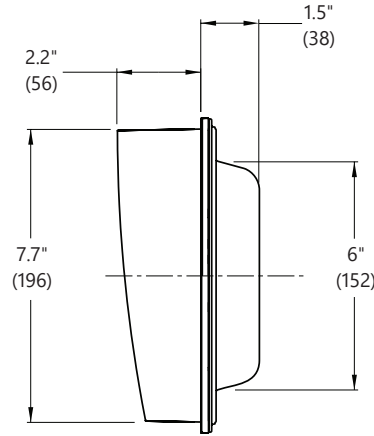
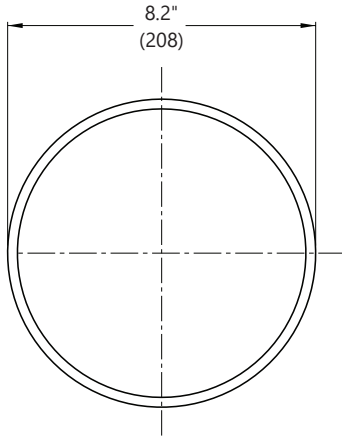
8 inch (200 mm)  
120V AC - 70 Series

Project Name \_\_\_\_\_

Date \_\_\_\_\_ Type \_\_\_\_\_

Notes \_\_\_\_\_

## Mechanical Outline Dimensions in inches (mm)



## Design Compliance

Characteristic	Compliance
Impact Resistance of Front Shell	IR3
Mechanical Vibration & Shock	AREMA 11.5.1.D.4/D.5. Class B
Water/Dust Ingress Protection (in typical Rail Housing)	EN 60529 IP65
Dielectric Strength	AREMA 11.5.1.1.D.7
Electrical Surge Protection	AREMA 11.3.3
Electromagnetic Compatibility (EMC)	EN55011 : 2002

## Operating Specifications

Parameter	Rating
Operating Temperature Range	-40 to +70°C (-40 to +158°F)
Nominal Operating Voltage	110V AC
Operating Voltage Range	85 - 135V A C
Voltage Turn-Off	45V AC (50/60 Hz)

## Product Information

Model Number	Aspect Color	LED Count	Nominal Watts
<b>Narrow Beam - Visibility to 5000 ft (1500 m)</b>			
RM4-GSFB-75A-70	Green	88	7W
RM4-YCFB-85A-70	Yellow	88	7W
RM4-RSFB-75A-70	Red	88	7W
<b>Medium Beam - Visibility to 1500 ft (600 m)</b>			
RM4-GCFB-25A-70	Green	88	7W
RM4-YCFB-43A-70	Yellow	132	10W
RM4-RSFB-25A-70	Red	88	7W

Distributed by:

### Notes:

<sup>1</sup> Signal performance when exposed to external light (ex. sun, head lamp) is dependant on each application. Field testing is recommended.