

Lumination® LED Luminaires

Suspended Luminaire - LOP Series

Project Name _____

Date _____ Type _____

Notes _____



The Lumination® LOP Series LED Linear luminaire is designed with a unique balance between technology and performance. This commercial luminaire comes with a unique on-the-spot customization of the up and down light distributions. It also features a light uniformity output that is easy on the eyes while achieving a high efficacy, CRI and R9 with TriGain® technology. The LOP is a combination of design finesse, technology and performance.

CONSTRUCTION

Housing: Bezel construction. Steel, Cold-rolled, Commercial quality

Paint: Textured powder coat finish

Weight: 18lbs (4'ft) or 33lbs (8'ft)

CONTROLS

Dimming: VQ = 0-10V Dimming 10%

LQ = Lutron LDE5 EcoSystem

TQ = Wireless Enabled Daintree Compatible

TS = Wireless Enabled, Daintree Compatible w/ Daintree WFA100

OPTICAL SYSTEM

Lumens: 3000 lm - 9600 lm

Distribution: Up light/Down light ratio options: 70%/30%; 30%/70%; 50%/50%; 20%/80% (convertible options)

Wattage: 24-95 Watts

Efficacy: Up to 110LPW

CCT: 3000K, 3500K, 4000K, 5000K

CRI: 83, 90+ TriGain®

LUMEN MAINTENANCE

LXX(10K) @ Hours
50,000 HR

L85

MOUNTING

- Suitable for both dry and damp locations
- Suspended by adjustable 120" aircraft cable
- 102" 18/4 power cord and 18/2 dimming cord mounted to a standard ceiling junction box
- Maximum Continuous Run Length per Power Drop depends on Lumen Package and Voltage
 - 120V-80ft (low lumen)
 - 120V-48ft (high lumen)
 - 277V-180ft (low lumen)
 - 277V-104ft (high lumen)
 - 340V-230ft (low lumen)
 - 340V-132ft (high lumen)
- Refer to Kits and Accessories table for compatible components to complete installation

ELECTRICAL

Input Voltage: 120-277V, 347V

Input Frequency: 50-60 Hz

Power Factor (PF)*: >0.9

Total Harmonic Distortion (THD)*: <20%

* System PF and THD specified at rated watts

DESIGN LIFE & WARRANTY

- Damp Location rated
- Please refer to document **IND599** for more information.



Please refer to the DLC QPL website for the latest and most complete information.
www.designlights.org/QPL

Lumination® LED Luminaires

Suspended Luminaire - LOP Series

Catalog Logic

Project Name _____

Date _____ Type _____

Notes _____

ORDERING INFORMATION

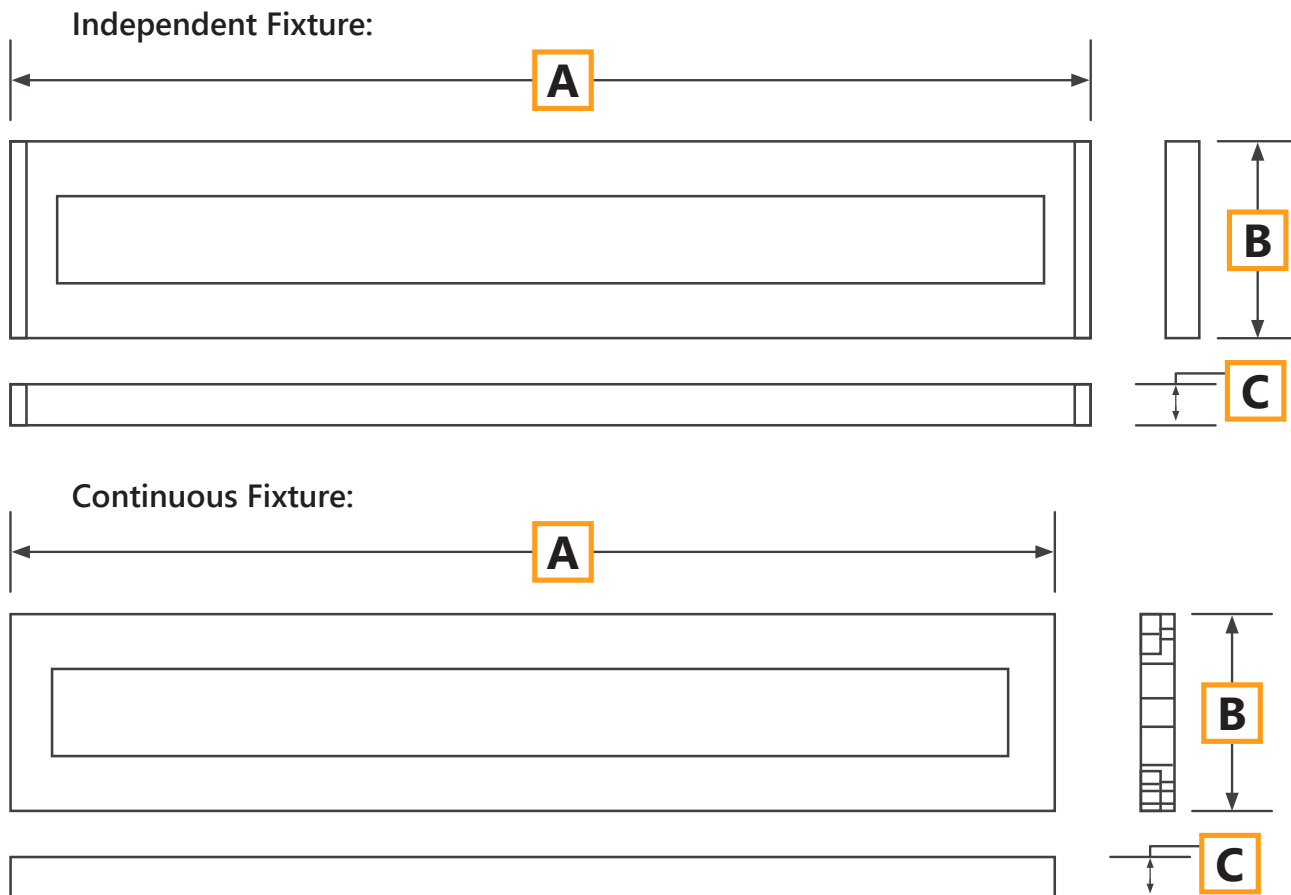
LOP		A	0				CS		WHITE		
FAMILY	FIXTURE TYPE	GENERATION	VOLTAGE	LUMEN	CRI	CCT	CONTROLS	DISTRIBUTION	MOUNTING	FINISH	OPTIONS
LOP = Lumination® Office Professional	I4 = 4ft Independent I8 = 8ft Independent C4 = 4ft Continuous C8 = 8ft Continuous	A = 1 st Generation	0 = 120-277 VAC D = 347VAC* *Only available with VQ option	30 = 3000lm 48 = 4800lm 60 = 6000lm 96 = 9600lm	8 = 83 CRI T = 90 CRI TriGain®** *Note: Only compatible with 3500CCT & 4000CCT	30 = 3000K 35 = 3500K 40 = 4000K 50 = 5000K	VQ = 0-10V Dimming LQ = Lutron LDE5 EcoSystem TQ = Wireless Enabled, Daintree Compatible TS = Wireless Enabled, Daintree Compatible w/ Daintree WFA100	D3 = 70% Up / 30% Down D5 = 50% Up / 50% Down D7 = 30% Up / 70% Down D8 = 20% Up / 80% Down	CS = Cable Suspended	WHITE = White	[] = No Option EL = Emergency Lighting* *Not available for sale in California *EL is only available with VQ Control option and 120V/277V input voltage



CRI	LENGTH	LUMEN	POWER (VQ 0-10 DIMMING)	POWER (LQ LUTRON IDE)
83	4 ft	3000	24W	25W
		4800	39W	40W
	8 ft	6000	46W	50W
		9600	75W	81W
90	4 ft	3000	26W	27W
		4800	43W	44W
	8 ft	6000	51W	53W
		9600	86W	90W

Note:
EL Option adds +5W
TQ & TS options add +2W

PRODUCT DIMENSIONS



4 ft

4 ft Independent Fixture:

A=49.0 in (1244.6 mm) B=8.8 in (218.4 mm) C=1.6 in (40.6 mm)

4 ft Continuous Fixture:

A=48.0 in (1219.2 mm) B=8.8 in (218.4 mm) C=1.6 in (40.6 mm)

8 ft

8 ft Independent Fixture:

A=97.0 in (2463.8 mm) B=8.8 in (218.4 mm) C=1.6 in (40.6 mm)

8 ft Continuous Fixture:

A=96.0 in (2438.4 mm) B=8.8 in (218.4 mm) C=1.6 in (40.6 mm)

Mounting Point Dimensions

4 ft Fixture: 43.04 in (1093.20 mm) • 8ft Fixture: 91.04 in (2312.40 mm)

Lumination® LED Luminaires

Suspended Luminaire - LOP Series

Mounting Kits and Accessories

Project Name _____

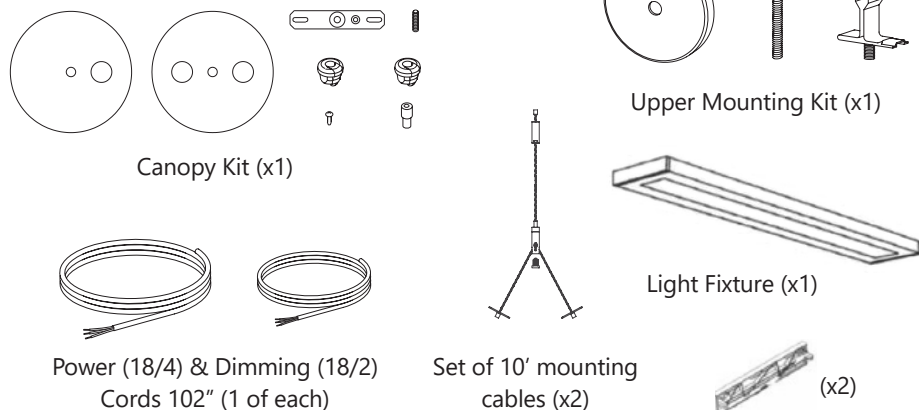
Date _____ Type _____

Notes _____

Accessories

Product Code

Suspended Kit - Independent Fixture



Included with All Independent Fixtures (I4 & I8)

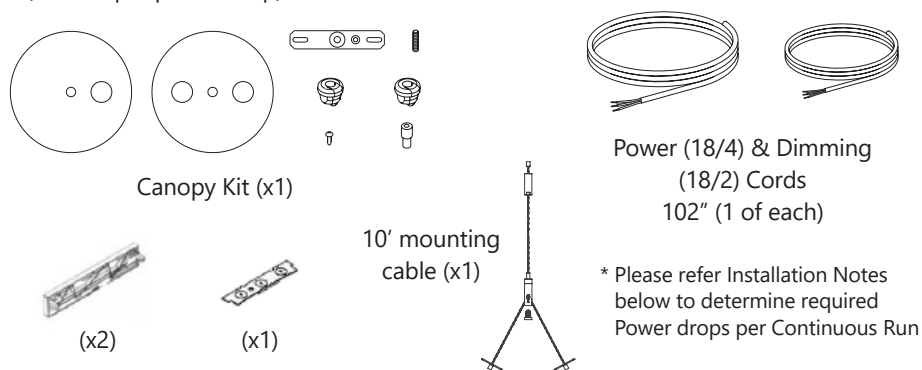
Suspended Kit - Continuous Fixture



Included with All Continuous Fixtures (C4 & C8)

Power Feed Kits Ordered Separately For Continuous Runs

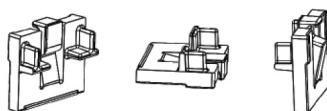
(order 1 per power drop)



VOLTAGE	END CAP COLOR	KIT # TO ORDER
120-277V	White	93053095
347V	White	93092891

Changeable Spacer Kits - Optional

(Qty 8 necessary per 4 ft section.
Each kit contains Qty 100 pcs)



93068429	LOP Spacers 30% up / 70% down
93068430	LOP Spacers 50% up / 50% down
93068431	LOP Spacers 70% up / 30% down
93054946	LOP Spacers Mixed Sample Pack

Lumination® LED Luminaires

Suspended Luminaire - LOP Series

Photometric Data

Project Name _____

Date _____ Type _____

Notes _____

PHOTOMETRIC DATA: LOP 30% UP / 70% DOWN

CANDLEPOWER SUMMARY			
ANGLE	0°	45°	90°
45°	3607	3619	3575
55°	3397	3397	3364
65°	3131	3128	3089
75°	2762	2771	2635
85°	2207	2061	1770

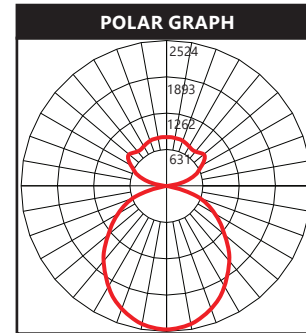
ZONAL LUMEN SUMMARY	
ZONE	LUMENS
0-10	236.87
10-20	673.17
20-30	1003.47
30-40	1184.1
40-50	1200.37
50-60	1060.79
60-70	793.74
70-80	449.13
80-90	118.37
90-100	83.25
100-110	272.51
110-120	422.47
120-130	502.76
130-140	492.84
140-150	440.01
150-160	354.57
160-170	230.71
170-180	80.87

COEFFICIENTS OF UTILIZATION-ZONAL CAVITY METHOD																				
RC	80%				70%				50%				30%				10%		0%	
RW	70%	50%	30%	10%	70%	50%	30%	10%	50%	30%	10%	50%	30%	10%	50%	30%	10%	0%		
0	112	112	112	112	106	106	106	106	94	94	94	84	84	84	74	74	74	70		
1	102	98	94	90	96	93	89	86	83	80	78	74	72	70	66	64	63	59		
2	93	85	79	73	88	81	75	70	73	68	64	65	61	58	58	55	53	49		
3	85	75	67	61	80	71	64	59	64	58	54	57	53	49	51	48	45	41		
4	78	66	58	52	73	63	56	50	57	51	46	51	46	42	46	42	39	36		
5	71	59	51	44	67	56	49	43	51	45	40	46	41	37	41	37	34	31		
6	66	53	45	39	62	51	43	37	46	39	35	41	36	32	37	33	30	27		
7	61	48	40	34	57	46	38	33	42	35	31	38	32	28	34	30	26	24		
8	57	44	36	30	53	42	34	29	38	32	27	35	29	25	31	27	24	21		
9	53	40	32	27	50	38	31	26	35	29	25	32	27	23	29	24	21	19		
10	49	37	29	24	47	35	28	24	32	26	22	29	24	21	27	22	19	17		

NOTE: Floor Cavity Reflectance: 20%

ZONAL LUMEN SUMMARY			
ZONE	LUMENS	% OF LAMP	% OF FIXTURE
0-20	910.04	N.A.	9.5
0-30	1913.51	N.A.	19.9
0-40	3097.61	N.A.	32.3
0-60	5358.77	N.A.	55.8
0-80	6601.64	N.A.	68.8
0-90	6720.01	N.A.	70

Total Luminaire Efficiency = N.A.%



For Product or Technical Questions:

Email: lightingproinfo@gecurrent.com

Phone: +1 888 694 3533, option 2