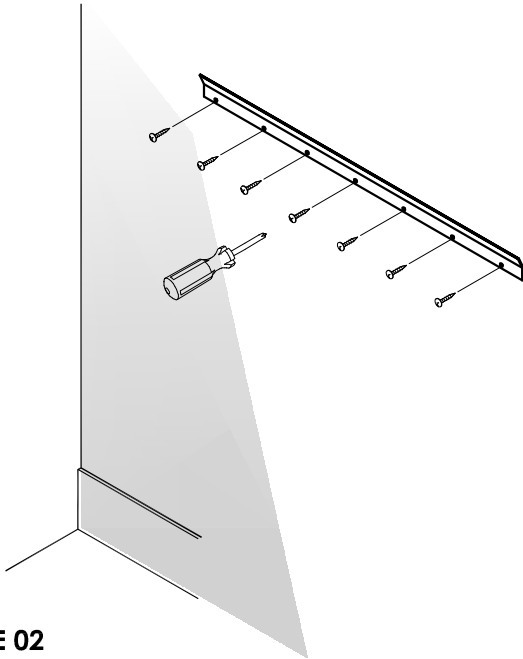


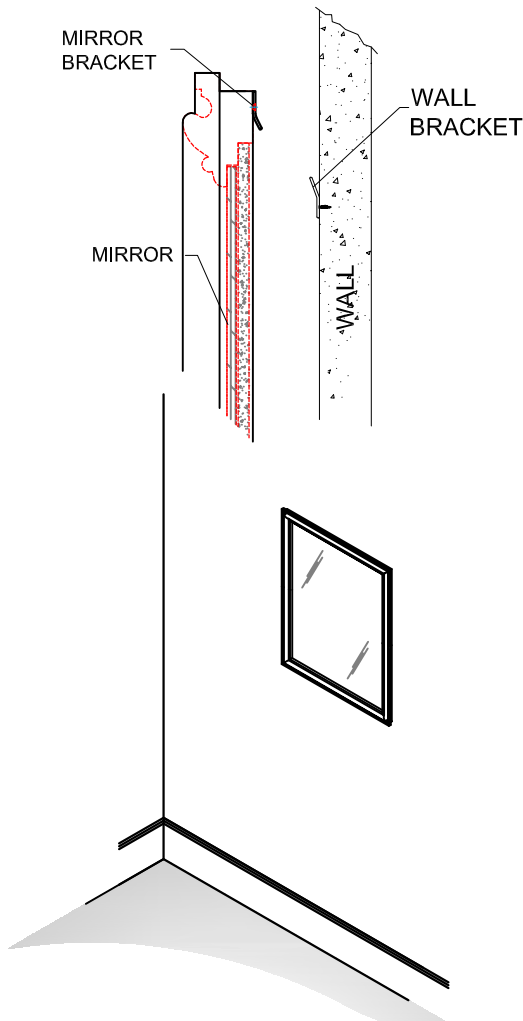


## WOODEN RECTANGULAR MIRROR FRAME

**FIGURE 01**



**FIGURE 02**



**WARNING:** Serious injury or death can occur if mirror is not hung correctly. Do not use wire to hang. Please follow correct hanging methods for wall type. Consult a professional before hanging.

**STEP #1:**

Pre-set the mirror on your desired location and then locate the vertical wooden studs within your wall using stud finder. Mark the stud location with a light pencil mark. Use tape or pencil to transcribe the stud location of the wall into the mirror bracket.

**STEP #2:**

Hold the bracket against the wall and mark with pencil the locations of the bracket screw holes.

**NOTE:**

- Upon installing the wall bracket check the alignment of both ends, if the bracket has the same distance on the floor or sealing surface.
- If the wall is concrete, drill a hole on each mark and then insert a plastic wall anchors on each hole. Use a screwdriver to attach the brackets to the wall.
- If the mirror wall bracket will be installed only on the dry wall use hollow wall anchors to fasten the bracket.

**STEP #3:**





Fasten the wall bracket on the wall using screws provided as in figure 01.

**STEP #4**

Install the mirror on the wall bracket as illustrated on figure 02.

**WARNING**

- When cleaning the glass panels use a damp cloth or mild detergent if necessary; do not use abrasive cleaners.
- Check the mirror periodically to see that no fitting has loosened and needs attention.
- Mirror is heavy objects and your safety is depending on the construction/ strength of the wall to which it is attached.

NO.	DESCRIPTION	QTY
1	 WALL BRACKET	1
2	 PHILLIPS SCREW	8
3	 PLASTIC ANCHOR	8
3	 HOLLOW WALL ANCHOR	8