

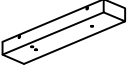








# BLOWN GLASS PENDANT LAMP

A		LAMP WITH SUSPENSION WIRE	1
B		HANGER BAR	1
C		CANOPY BOX WITH ADAPTOR	1
D		FIXTURE LOOP	2
E		BOLT	4
F		PHILLIPS BOLT	2
G		WIRE GRIP	2
H		DECORATIVE PIPE WITH THREADED TUBE 12, 24 IN. OPTIONAL LENGTH	2
I		QUICK LINK	2

1. Hang the lamp shade on the hanger tube and fix the hook to the hanger tube by installing the "V" lock.
  2. Connect the electric wires from each lamp shade to the electric wires of the hanger tube. Do the wiring with the electric wires go from the hanger tube through the canopy and the hanger bar. Connect these wires to the junction box.
  3. Attach the hanger bar to the junction box as per illustration in FIGURE 2.
- NOTE: Make sure your junction box can hold 30kg in weight.
3. Attach the canopy to the hanger bar by using the Allenkey. See FIGURE 3.
  4. Install the fixture loops to the threaded rods of the hanger bar. Hang the hanger wires on the fixture loops by inserting the hooks on the end of the hanger wires into the fixture loops. See FIGURE 4.

**FIGURE 1**

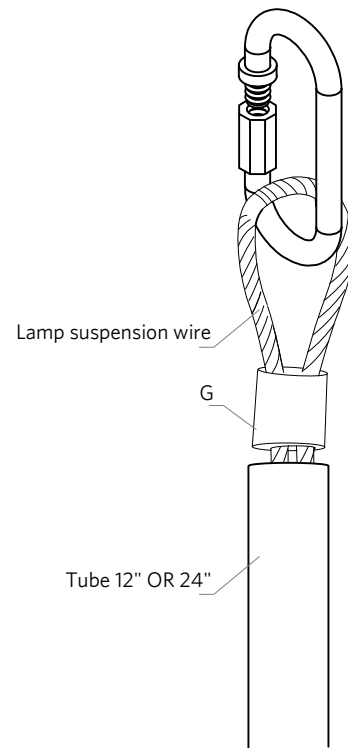
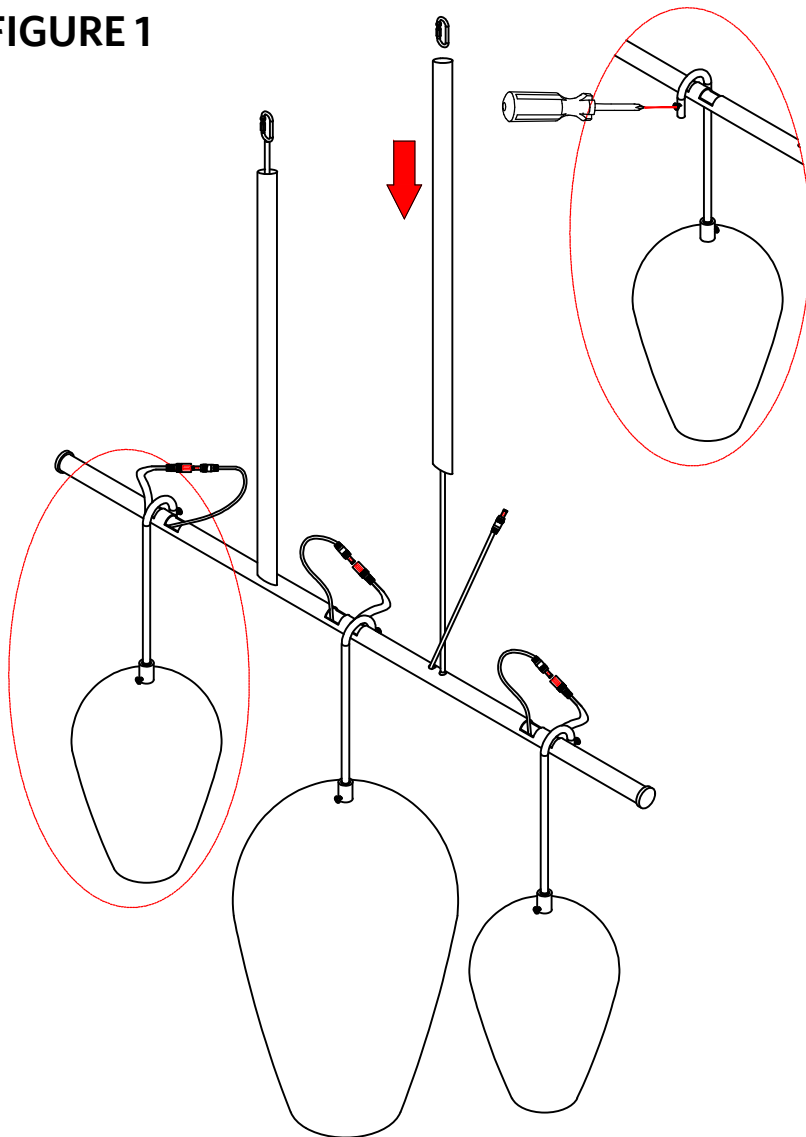


FIGURE 2

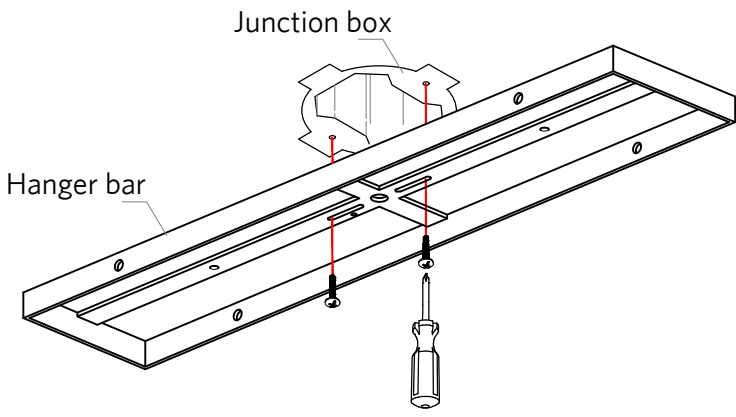


FIGURE 3

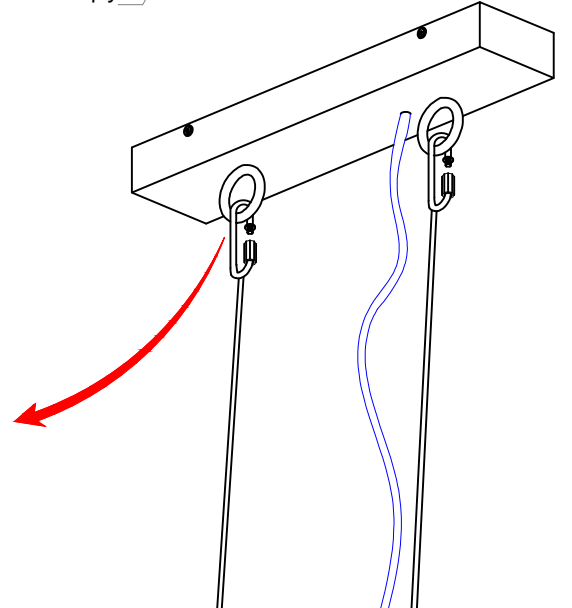
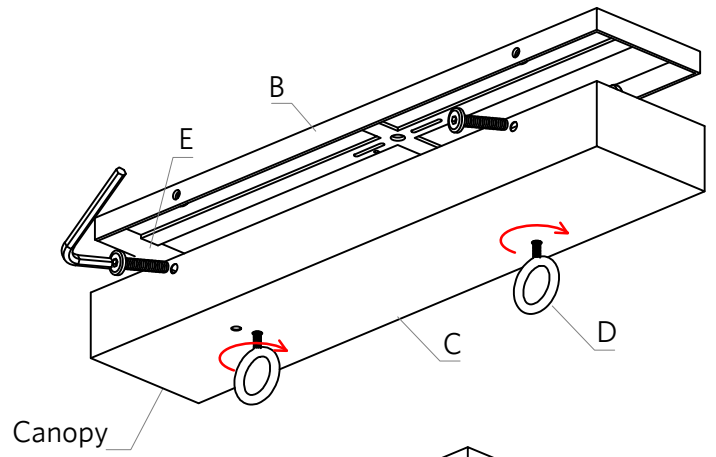


FIGURE 4

