

# SONDER

LIVING

## CHARLIE CHARLIE MEDIA UNIT

Thank you for choosing this quality product. Be sure to check all packaging materials carefully for small parts that may have loosened inside the carton during shipment and place on a non-abrasive surface.

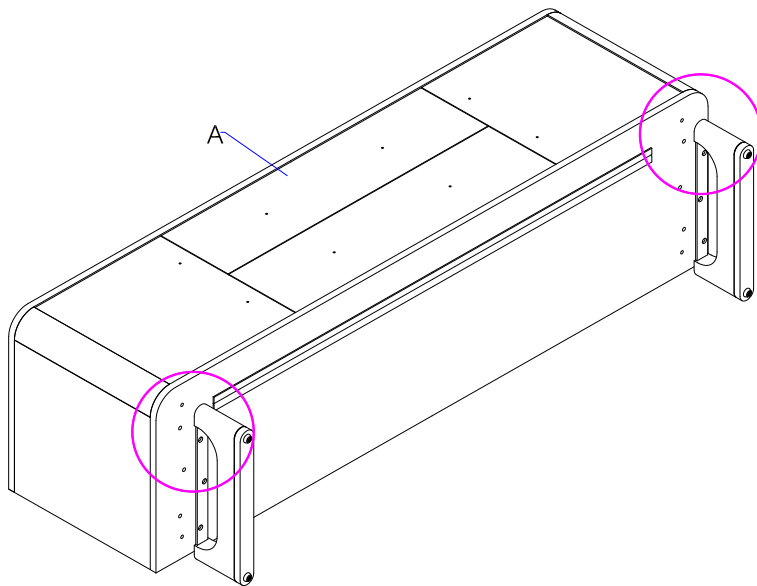
**IMPORTANT:** These parts can be cumbersome and heavy to some people, therefore, the assistance of two or more people are recommended in order to prevent personal injury and insure the furniture is not damaged during the assembly Process.

### PART LIST

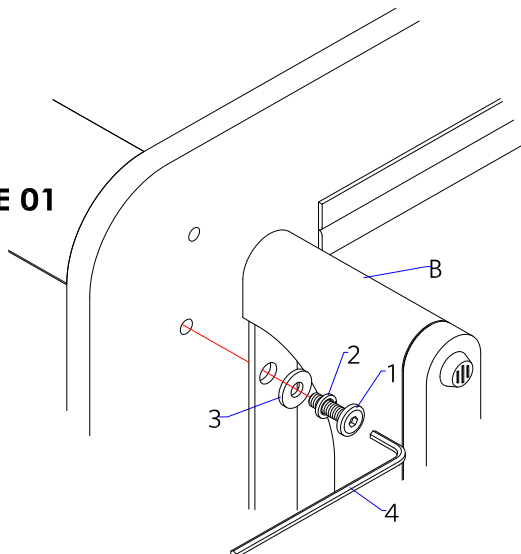
- A. [1] MEDIA
- B. [2] LEGS
- C. [2] REMOVABLE SHELF PANELS

### INSTRUCTIONS

1. Lay the Media (A) on a flat surface.
2. Attach the legs (B) to the bottom of the Media by using Allen bolts (1), lock washers (2) and flat washers (3). See **FIGURE 01**.
3. Turn the assembled furniture to an upright position.

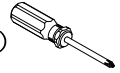


**FIGURE 01**



### TOOLS NEEDED

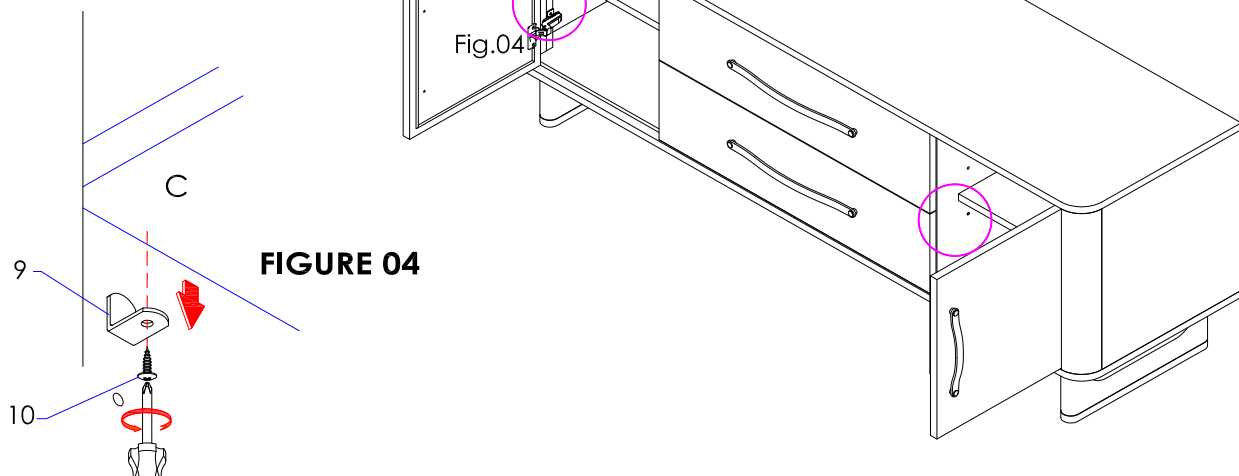
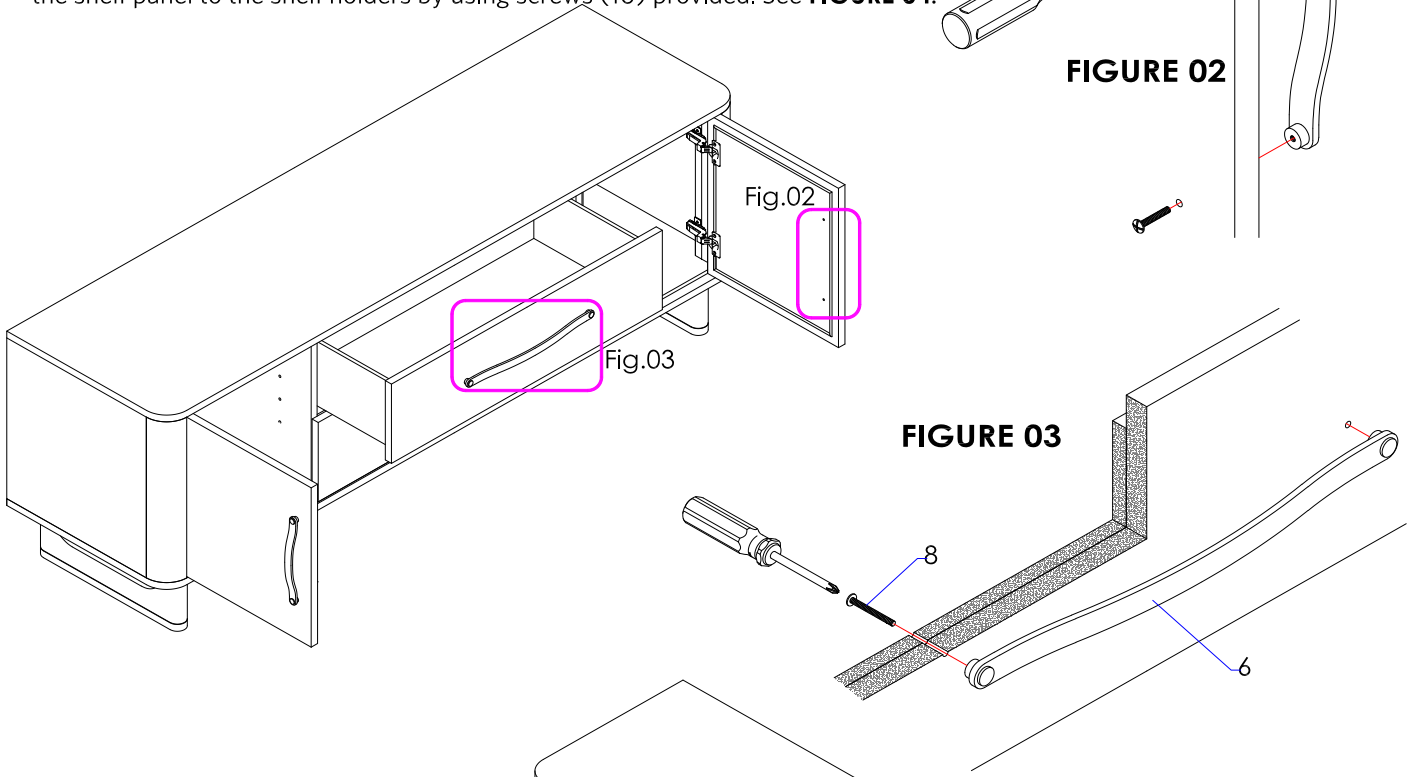
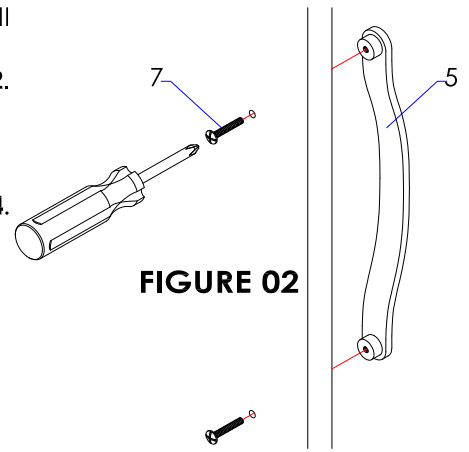
Phillips Screwdriver (Not provided)



### HARDWARE INCLUDED

| NO | DESCRIPTION                 | QTY |
|----|-----------------------------|-----|
| 1  | ALLEN HEAD BOLT             | 6   |
| 2  | LOCK WASHER                 | 6   |
| 3  | FLAT WASHER                 | 6   |
| 4  | ALLEN WRENCH                | 1   |
| 5  | DOOR HANDLE                 | 2   |
| 6  | DRAWER HANDLE               | 2   |
| 7  | PHILLIPS BOLT<br>M4X25MM    | 4   |
| 8  | PHILLIPS BOLT<br>M4X40MM    | 4   |
| 9  | SHELF HOLDER                | 8   |
| 10 | ROUND HEAD SCREW<br>M4X15MM | 8   |

4. For packing purpose, the handles were removed and put in hardware bag. Open all doors, attach the door handle (5) to the door by using the Phillips head bolts (7) provided. Repeat this steps to attach handle for another door. Refer to **FIGURE 02**.
5. Similar step 3, attach the Drawer handle (6) to the Drawer front by using the Phillips head bolts (8) provided as in **FIGURE 03**.
6. Install the shelf holders (9) and place the shelf panel (C) on the shelf holders. Fix the shelf panel to the shelf holders by using screws (10) provided. See **FIGURE 04**.



#### CARE INSTRUCTIONS

1. Dust often using a clean, soft, dry and lint-free cloth.
2. Blot spills immediately and wipe with a clean, damp, cloth.
3. We do not recommend the use of chemical cleansers, abrasives or furniture polish on our lacquered finish.

#### IMPORTANT SAFETY INSTRUCTIONS

1. Please read all instructions carefully before assembling.
2. Keep instructions for future use.
3. Use only vendor supplied hardware to assemble. Using unauthorized hardware could jeopardize the structural integrity of the item.