



LED signage lighting systems  
Channel Letters

**Tetra<sup>®</sup> Atom**

**GE current**  
a Daintree company

# Our smallest module ever, featuring **best-in-class** loading and groundbreaking flexibility

**Tetra® Atom** —the unique 24V LED system designed for channel letters as shallow as 1 inch (25mm) in depth delivers incredibly uniform light, installs easily and operates efficiently. **Tetra® Atom** also features constant current technology, for even light across the entire run without the need for center tapping.

## Powerful OptiLens™ X

**Tetra® Atom** features OptiLens™ X, our patented technology that allows for a true 165° x 140° viewing angle. This exclusive technology redirects otherwise wasted light to the sign face, making sure your signs shine.

## Best-in-class loading

Load 300 **Tetra® Atom** modules per 100W power supply, up to **twice as much** as our competitors' solutions. Half the power supplies means half the material and labor costs: only with Tetra®.

## Tetra® for every sign

Designed to meet the evolving needs of sign shops, **Tetra® Atom** delivers bright, uniform light in shallow channel letters, routed acrylic block letters, and halo-lit applications as shallow as 1" (25mm) deep.



## Tetra® Atom Features

- Wide 165° x 140° beam angle
- Efficacy: 124 lm/W
- 24 Volt DC, Class 2 (UL), Class III (IEC)
- UL Wet Rated & IP66
- 10-year limited warranty

### Tetra® Atom Spacing

Can Depth	Coverage	Multiple Strings
1" (25mm)	2" (51mm)	1.5" (38mm)*
1.5" (38mm)	4" (102mm)	2.5" (64mm)
2" (51mm)	6" (152mm)	5" (127mm)
3" (76mm)	7" (178mm)	5" (127mm)

\*Face material must be at least 3/16" (5mm) thick

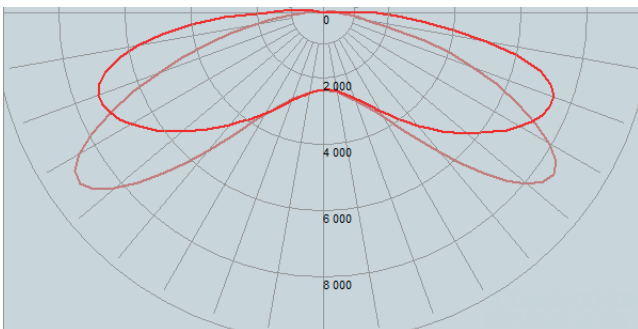
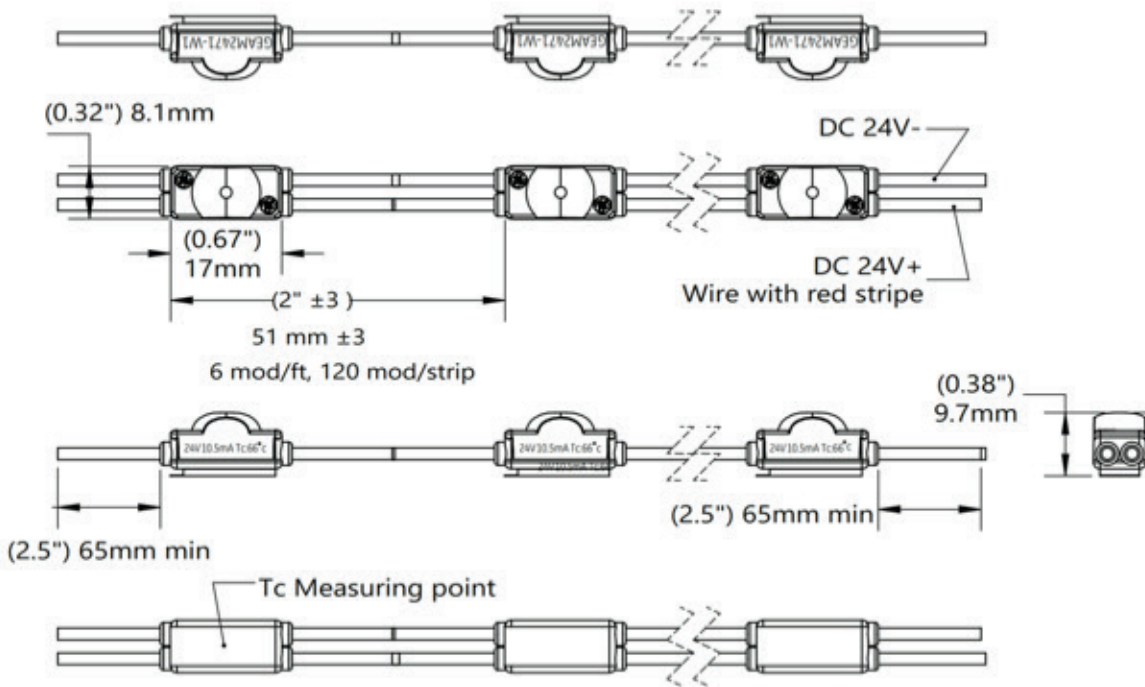
# Total Reliability

To ensure every Tetra<sup>®</sup> Atom installation will operate brilliantly for years, we perform the most extensive, stringent testing in the industry. We test the LED, water and dust ingress protection, sub-system and complete system at our in-house and independent laboratories around the world. Validation of our designs, components, products and processes include high temperature, high humidity and accelerated life testing.



## Mechanical Outline & Viewing Angle

Dimensions in (inches). Metric equivalent mm.



GEAM2471-W1

# Components

SKU	Description	Details	Color	Pkg. Quantity	Additional Information
93119588	GEAM2471-W1	Tetra® Atom 24V 7100K	White	5 Strips/Box	120 modules per strip (20 ft/strip)
93119589	GEAM2465-W1	Tetra® Atom 24V 6500K	Warm White	5 Strips/Box	120 modules per strip (20 ft/strip)
93119591	GEAM2450-W1	Tetra® Atom 24V 5000K	Warm White	5 Strips/Box	120 modules per strip (20 ft/strip)
93119592	GEAM2441-W1	Tetra® Atom 24V 4100K	Warm White	5 Strips/Box	120 modules per strip (20 ft/strip)
93119593	GEAM2432-W1	Tetra® Atom 24V 3200K	Warm White	5 Strips/Box	120 modules per strip (20 ft/strip)

## Technical Specifications

Description	Wavelength/ CCT	Typical Brightness (Lumens/module)	Typical Brightness Lumen/ft (Lumen/m)	Energy Consumption (Strip/Module)	Energy Consumption (System/Module)	Power Supply Loading	Viewing Angle
GEAM2471-W1	7100K	31	186 (610)	0.25w/module	0.30w/module	50 ft (15.2 m) /100WPS	165° x 140°
GEAM2465-W1	6500K	31	186 (610)	0.25w/module	0.30w/module	50 ft (15.2 m) /100WPS	165° x 140°
GEAM2450-W1	5000K	31	186 (610)	0.25w/module	0.30w/module	50 ft (15.2 m) /100WPS	165° x 140°
GEAM2441-W1	4100K	31	186 (610)	0.25w/module	0.30w/module	50 ft (15.2 m) /100WPS	165° x 140°
GEAM2432-W1	3200K	28	186 (551)	0.25w/module	0.30w/module	50 ft (15.2 m) /100WPS	165° x 140°

## Technical Specifications

Specification Item	Specification
LEDs/Module	1
LEDs/ft (LEDs/m)	6 (20)
Modules/ ft. (Modules/m)	6 (20)
Cutting Resolution	Cut on wire between every module
Power Supply	GEPS24-25U-EU Input: 220-240VAC; Output: 24VDC GEPS24D-80U Input: 90-305VAC; Output: 24VDC GEPS24-100U-GL(X) Input: 108-305VAC; Output: 24VDC GEPS24-300U-GL Input: 108-305VAC; Output: 24VDC
Maximum Supply Wire Limits	
Operating Environment	-40 °C to +60 °C
Module Dimensions (L x W x H)	0.67" x 0.32" x 0.38" (17 x 8.1 x 9.7mm)
Warranty	Current offers a limited system warranty of up to ten (10) years
System Certifications	UL Recognized (C-US) #E219167, UL Classified (C-US) #E229508, ROHS • IP66 rated: for dry, damp or wet location.