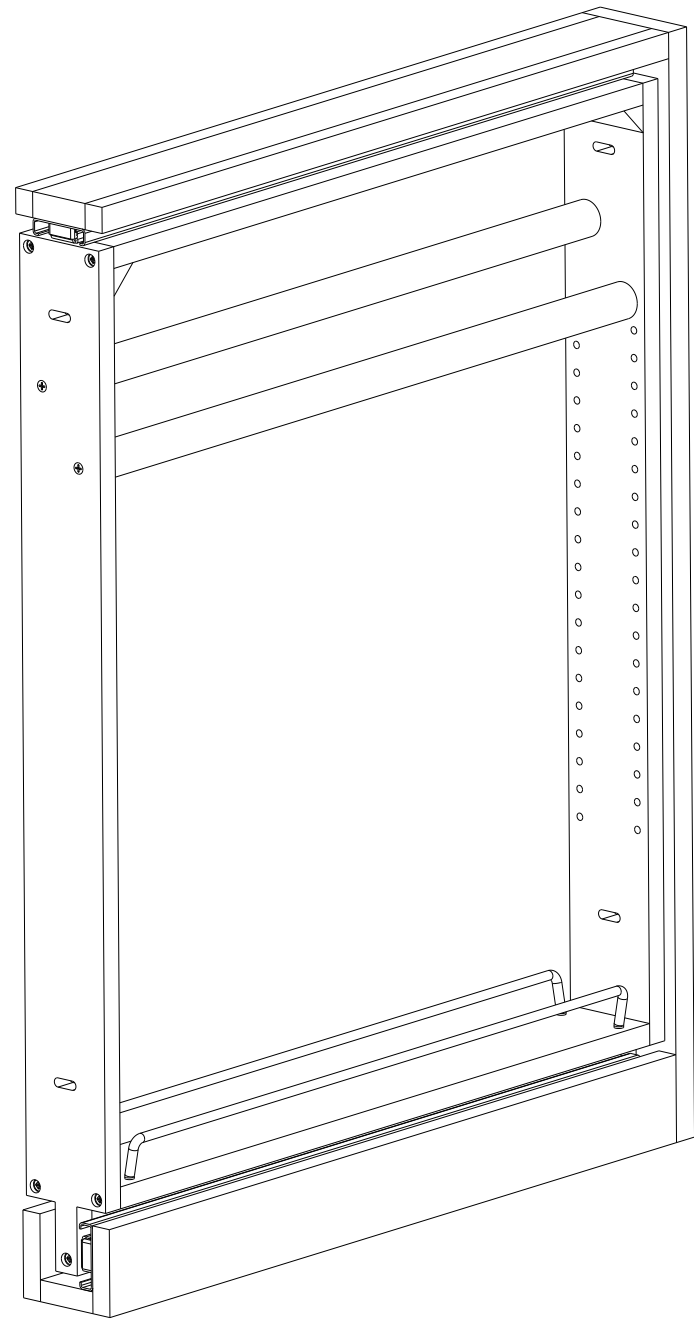


CUSTOMER DRAWING

This drawing is the property of Rev-A-Shelf (RAS) and is disclosed in confidence to the extent its subject matter is original to RAS. Any vendor receiving this drawing from RAS shall hold and use this drawing for the sole benefit of RAS and shall not disclose it to, or use or reproduce it for any third party, or perform any act adverse to the interest of RAS with respect to this drawing without the express written permission of RAS. Vendors shall not revise any physical, dimensional or performance characteristic unless authorized by Rev-A-Shelf Engineering.

REV.	DATE	BY	DESCRIPTION OF CHANGE
A	12-3-19	LKW	ECN19-085

INCH [MM]	AMERICAN PROJECTION 	BY	DATE	REV-A-SHELF, INC. DRAWING NO. 432TB-BFBBSC-3C SCALE 0.200	
		DRAWN	JCD 6/28/19		
		MATERIAL	3" TOWEL BAR BASE CABINET FILLER		
		FINISH	PART NO. 432TB-BFBBSC-3C	SHEET OF 1 2	
TOLERANCES MAT. DEC. (WOOD) .XX ±.03 [.8mm] (OTHER) .XX ±.02 [.5mm] (ALL) .XXX ±.005 [.13 mm] FRACTIONS ±1/32 [.8 mm]		ANGLES ±1/2°			



PART DIMENSIONS	
WIDTH	3.00 [76,2]
DEPTH	23.00 [584,2]
HEIGHT	30.00 [762]

NOTE:  
MCO: N/A; MOUNTS BETWEEN CABINETS

SLIDE SPECIFICATIONS				
SLIDE MANUFACTURER	BTL	RELEASE PART NUMBER	N/A	MAX WEIGHT RATING
SLIDE TYPE	BALL BEARING	SLIDE EXTENSION	FULL	
SLIDE CLOSING	SOFT	SLIDE LENGTH	21.57 [548]	N/A
SLIDE MOUNTING	N/A	SLIDE FINISH	ZINC	

CUSTOMER DRAWING

This drawing is the property of Rev-A-Shelf (RAS) and is disclosed in confidence to the extent its subject matter is original to RAS. Any vendor receiving this drawing from RAS shall hold and use this drawing for the sole benefit of RAS and shall not disclose it to, or use or reproduce it for any third party, or perform any act adverse to the interest of RAS with respect to this drawing without the express written permission of RAS. Vendors shall not revise any physical, dimensional or performance characteristic unless authorized by Rev-A-Shelf Engineering.

REV.	DATE	BY	DESCRIPTION OF CHANGE

INCH [MM]	AMERICAN PROJECTION 	DRAWN	BY	DATE	REV-A-SHELF, INC.
		JCD	JCD	6/28/19	
TOLERANCES		MATERIAL	DRAWING NO.		SCALE
MAT.	DEC.		432TB-BFBBSC-3C		
(WOOD) .XX ±.03 [.8mm]	(OTHER) .XX ±.02 [.5mm]	FINISH	PART NO.		SHEET OF
(ALL) .XXX ±.005 [.13 mm]	FRACTIONS ±1/32 [.8 mm]		432TB-BFBBSC-3C		
ANGLES ±1/2°					