

Lumination® LED Luminaire



Suspended LED Accessory (EP Series)

GESK01 - Slanted Ceiling Mount Kit

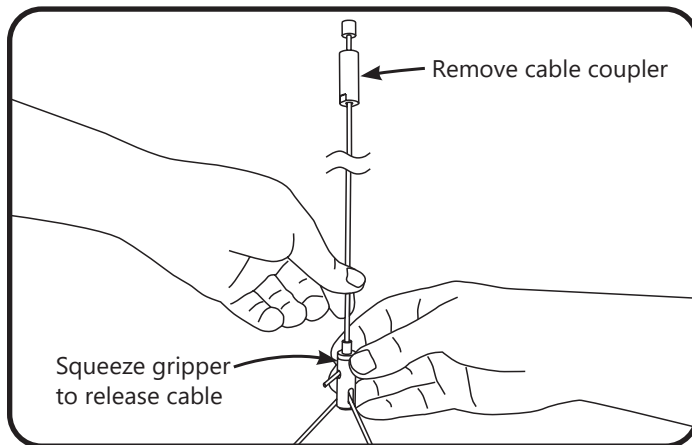
GESK02 - Seismic Bracing Kit



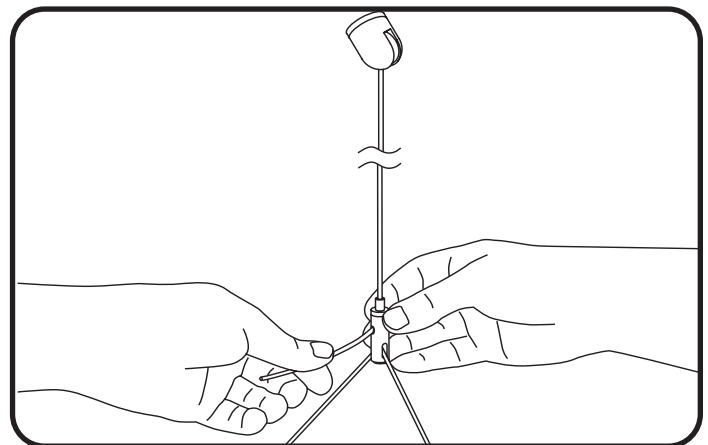
BEFORE YOU BEGIN

Read these instructions completely and carefully.

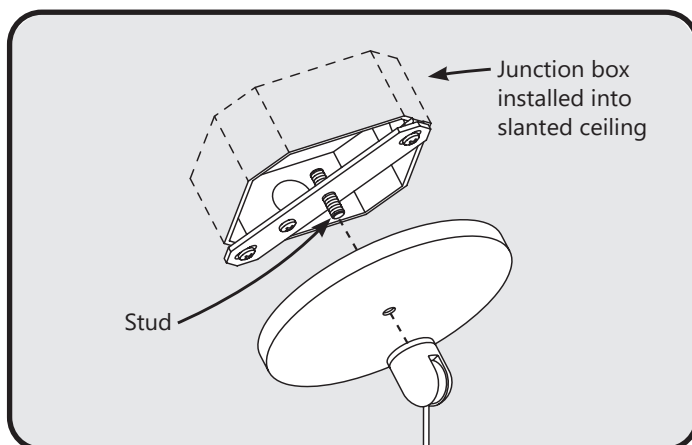
Installation



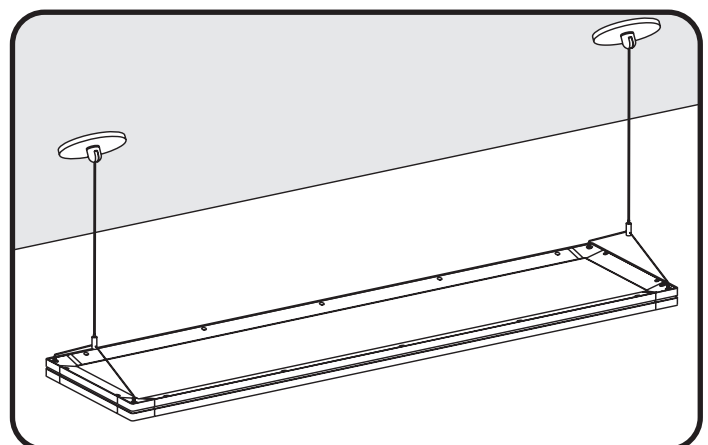
① Remove aircraft cable from gripper by squeezing the top. Then remove cable from cable coupler.



② Feed aircraft cable through slanted cable coupler and gripper.

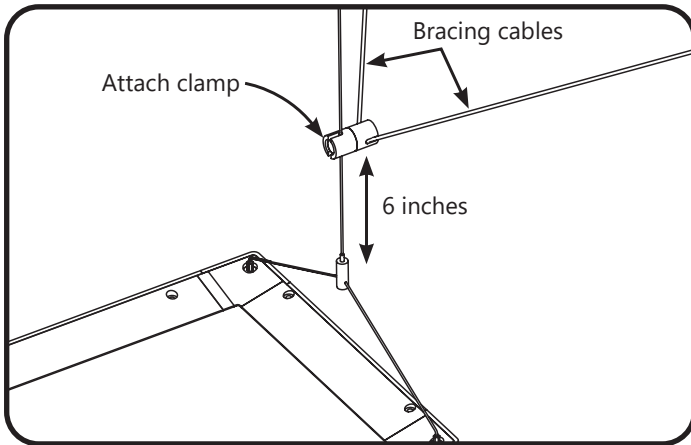


③ Fit canopy over stud of crossbar, then screw cable coupler onto stud. Repeat Step 1 to Step 3 on other side.

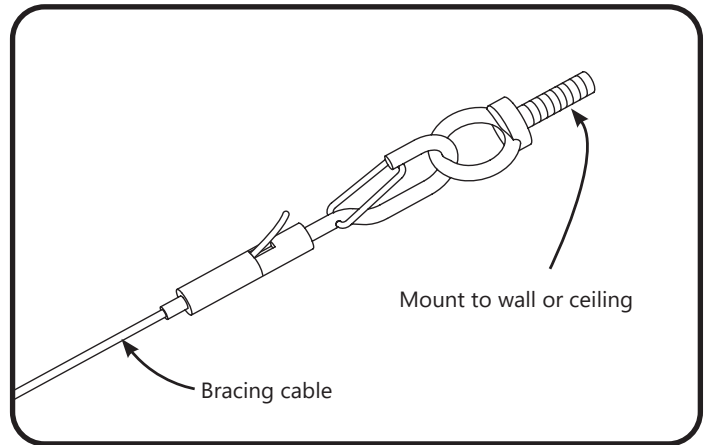


④ Installed.

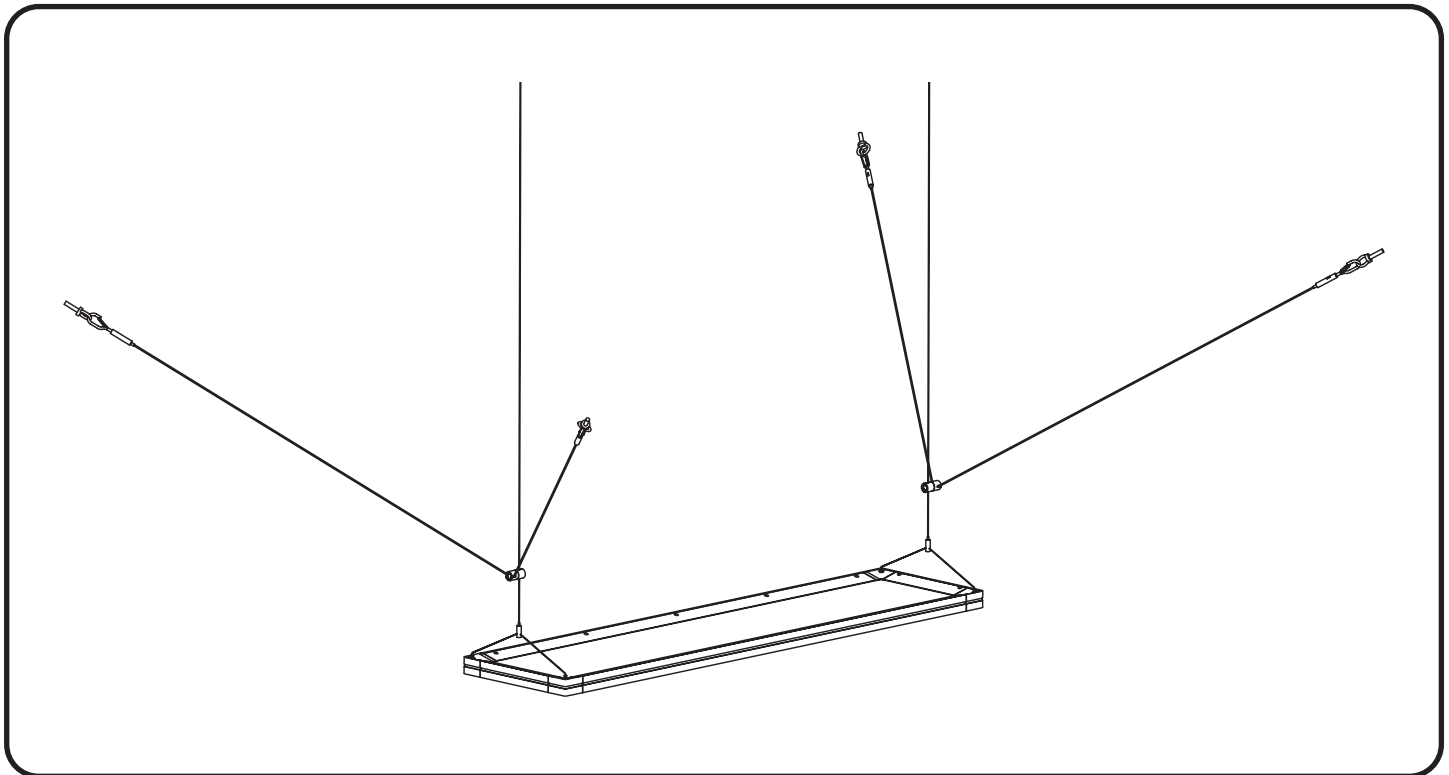
Installation: Seismic Bracing Kit



1 Attach bracing cables clamp about 6" above the Y-cable for both ends.



2 Anchor the Side Cable Exit Gated Hook (4 pieces) to wall or ceiling.



3 Installed.