

# SONDER

LIVING

OTIS BED - US KING

Thank you for choosing this quality product. Be sure to check all packaging materials carefully for small parts that may have become loose during shipment and place all parts on a non-abrasive surface.

**IMPORTANT :** These parts can be cumbersome and heavy to some people, therefore the assistance of two or more people is recommended in order to prevent personal injury and ensure the furniture is not damaged during the assembly Process.

## CARE INSTRUCTIONS

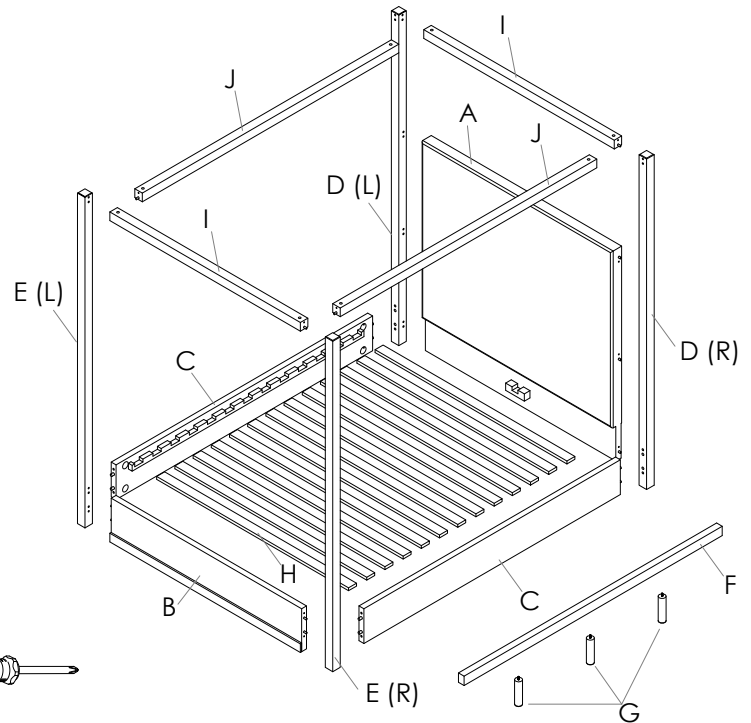
1. Dust often using a clean, soft, dry and lint-free cloth.
2. Blot spills immediately and wipe with a clean, damp, cloth.
3. We do not recommend the use of chemical cleansers, abrasives or furniture polish on our lacquered finish.

## IMPORTANT SAFETY INSTRUCTIONS

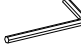

1. Please read all instructions carefully before assembling.
2. Keep instructions for future use.
3. Use only vendor supplied hardware to assemble. Using unauthorized hardware could jeopardize the structural integrity of the item.

## PART LIST

- A. [1] HEADBOARD PANEL
- B. [1] FOOTBOARD PANEL
- C. [2] SIDERAILS
- D. [2] HEADBOARD POST (L-R)
- E. [2] FOOTBOARD POST (L-R)
- F. [2] SUPPORT SLATS
- G. [3] SUPPORT LEG
- H. [13] SLATS
- I. [2] SHORT CANOPY RAILS
- J. [2] LONG CANOPY RAILS



## TOOLS NEEDED

- ALLEN KEY (NOT PROVIDED) 
- PHILLIPS SCREWDRIVER (NOT PROVIDED) 

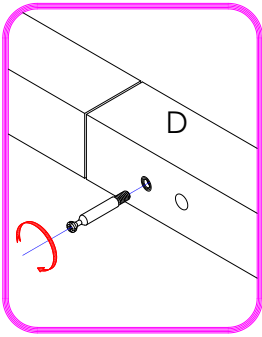
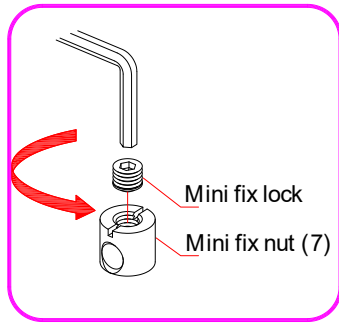
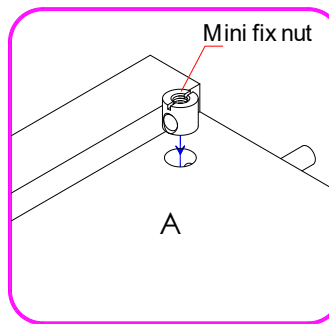
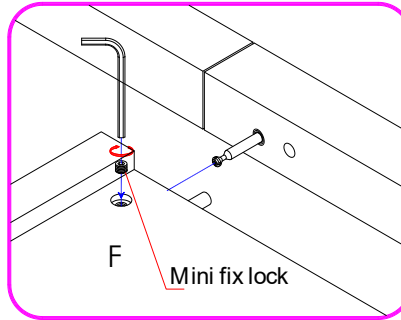
## HARDWARE LIST

NO.		DESCRIPTION	QTY
1		THREADED ROD	8 PCS
2		CURVED WASHER	8 PCS
3		LOCK WASHER	8 PCS
4		HEXAGONAL NUT	8 PCS
5		WRENCH	1PC
6		MINI FIX BOLT	18 PCS
7		MINI FIX LOCK WITH LOCK	18 PCS
8		TAB FELT	4 PCS







**FIGURE 1****FIGURE 2-A****FIGURE 2-B****FIGURE 2-C****ASSEMBLY INSTRUCTION**

The bed is composed of several components: The headboard, foot board, side rails, support slats, slats, post, , canopy rail. Determine the intended location and ensure there is enough space to work with and fully read these instructions before physically doing the entire assembly.

**STEP #1:**

Attach the minifix bolts (6) into the fixed nuts on the headboard post (D) as per illustrated in **FIGURE 1**.

**STEP #2:**

Remove the mini fix lock from the mini fix nut (7), as per illustrated in **FIGURE 2-A**. Insert the minifix nuts into the holes on back of headboard panel (A) and top of the canopies (I), then use a screwdriver to adjust the minifix nut to make sure the hole on it is aligned with the bore hole on the end of the canopy, as per illustrated in **FIGURE 2-B**.

**STEP #3:**

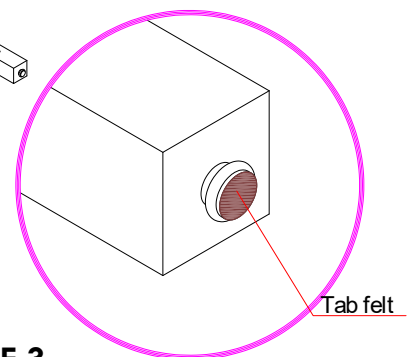
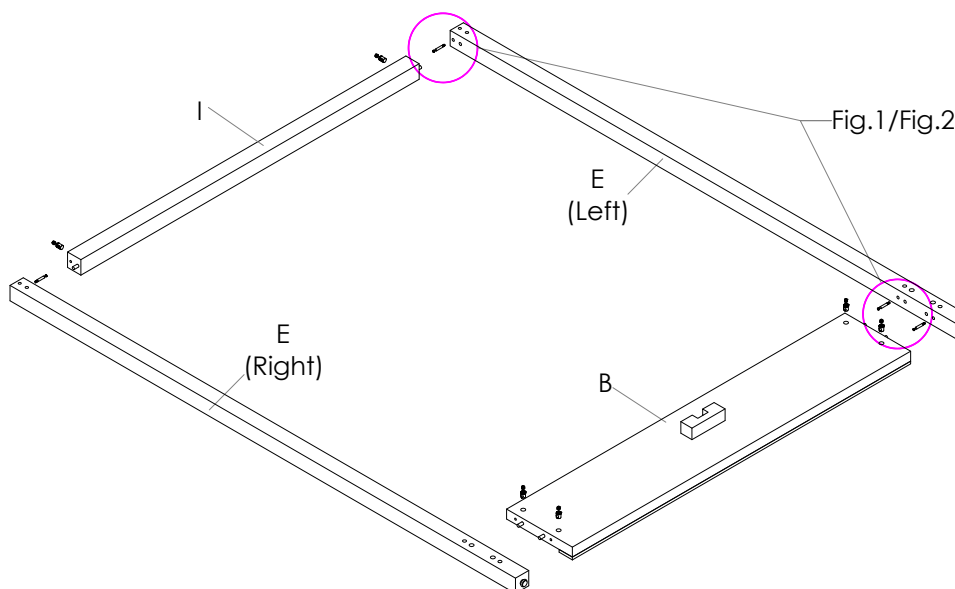
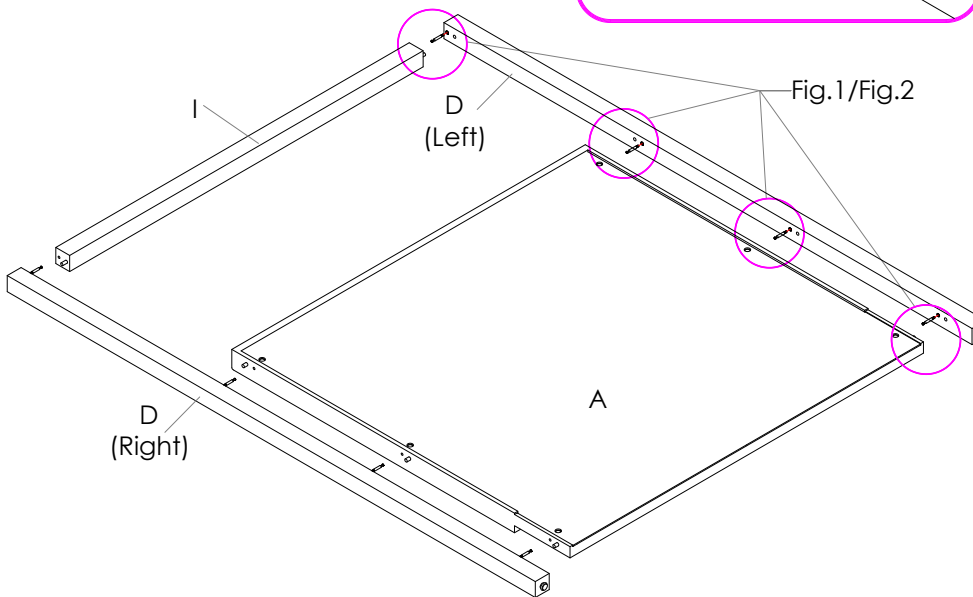
Align the minifix bolt (6) on the headboard posts (D) into the minifix nut (7) through the bore hole on the end of the headboard panel (A) and the canopy (I). Re-insert the minifix lock to secure the minifix bolt to the minifix nut, and the headboard panel and canopy will be fixed to the headboard post. See **FIGURE 2-C**

**STEP #4:**

Repeat all the above procedure with the other Footboard panel (B) and canopy rail (I) to attach it to the footboard post (E).

**STEP #5:**

Apply glue on the tab felt (8) then stick them underneath the levels. See **FIGURE 3**.

**FIGURE 3**

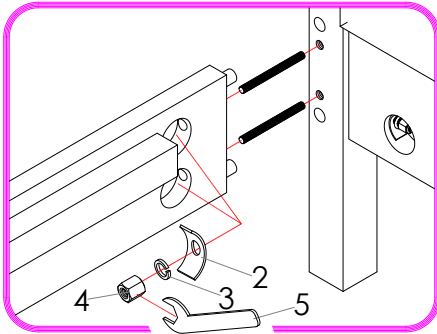




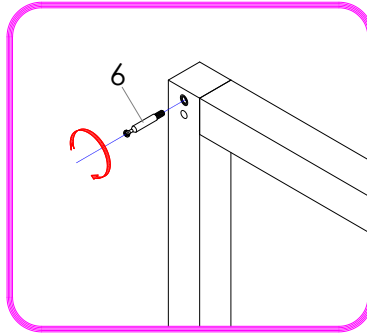




**FIGURE 4**



**FIGURE 5**



**STEP #6:**

Place the headboard assembled upright in the position you wish the bed to be in when fully assembled. The headboard bed fast hardware should be facing inside, toward the mattress. Secure the threaded rod (1) to the fixed nut in the headboard by simply turning it manually. Raise the side rail (C) and place the rod (1) to align with the bore holes at the end of the side rails (C). Put the side rails (C) up against the headboard so the threaded rods (1) go through the bore holes. Insert curved washer (2), lock washer (3) and place hex nuts (4) on threaded rod (1) then tighten the hex nuts (4) with wrench (5) provided, see **FIGURE 4**.

**STEP #7:**

Attach the minifix bolts (6) into the fixed nuts on the headboard as per illustrated in **FIGURE 5**.

**STEP #8:**

Remove the mini fix lock from the mini fix nut (7), as per illustrated in **FIGURE 6-A**. Insert the minifix nuts into the holes on top of the canopies (I), then use a screwdriver to adjust the minifix nut to make sure the hole on it is aligned with the bore hole on the end of the canopy, as per illustrated in **FIGURE 6-B**.

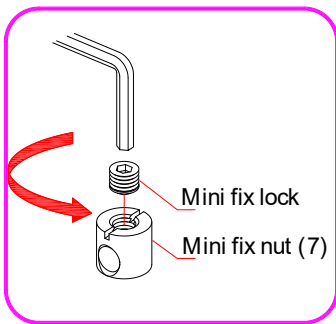
**STEP #9:**

Align the minifix bolt (6) on the headboard into the minifix nut (7) through the bore hole on the end of the canopy (J). Re-insert the minifix lock to secure the minifix bolt to the minifix nut, and the canopy will be fixed to the headboard. See **FIGURE 6-C**. **KEEP HOLDING THE CANOPY DURING NEXT STEP.**

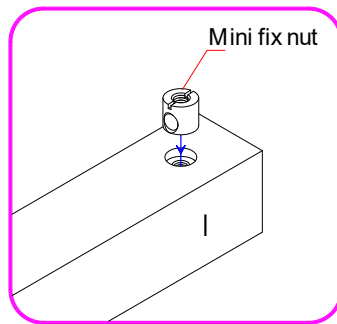
**STEP #10:**

Repeat the above procedure with the other side rail (C) and canopy rail (I) to attach it to the headboard, and then repeat to connect to the footboard assembled.

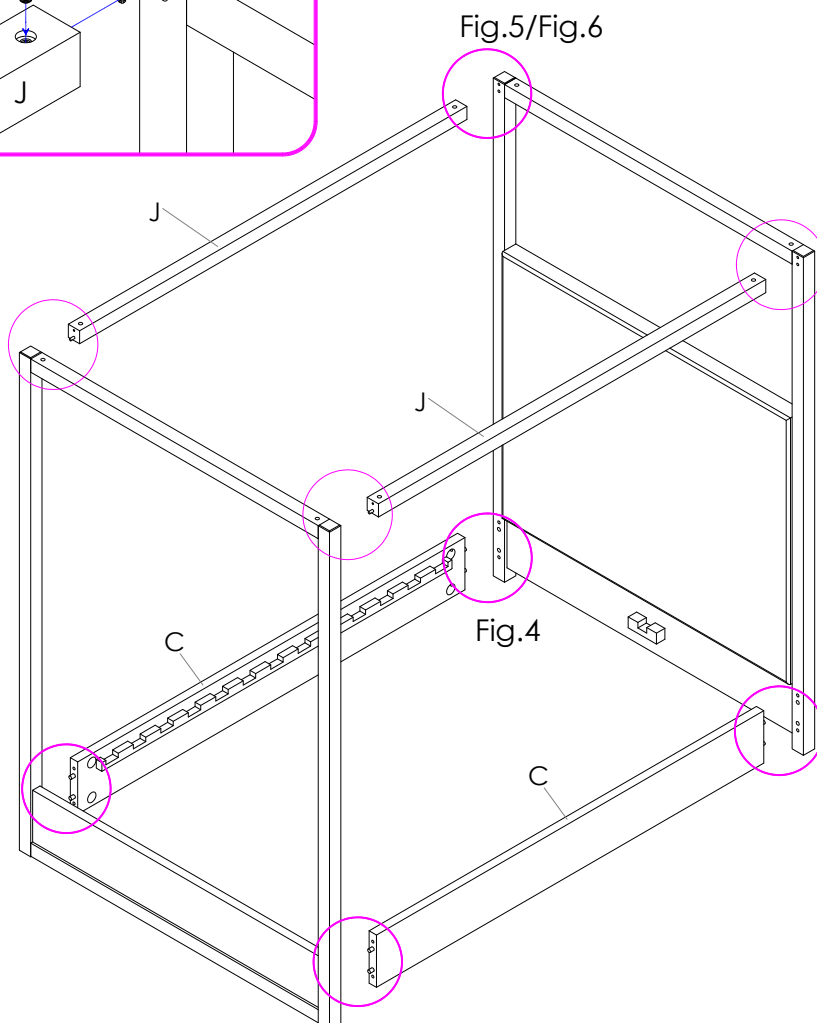
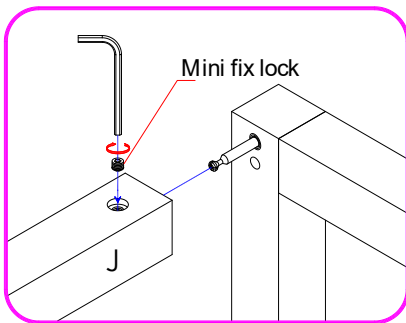
**FIGURE 6-A**



**FIGURE 6-B**



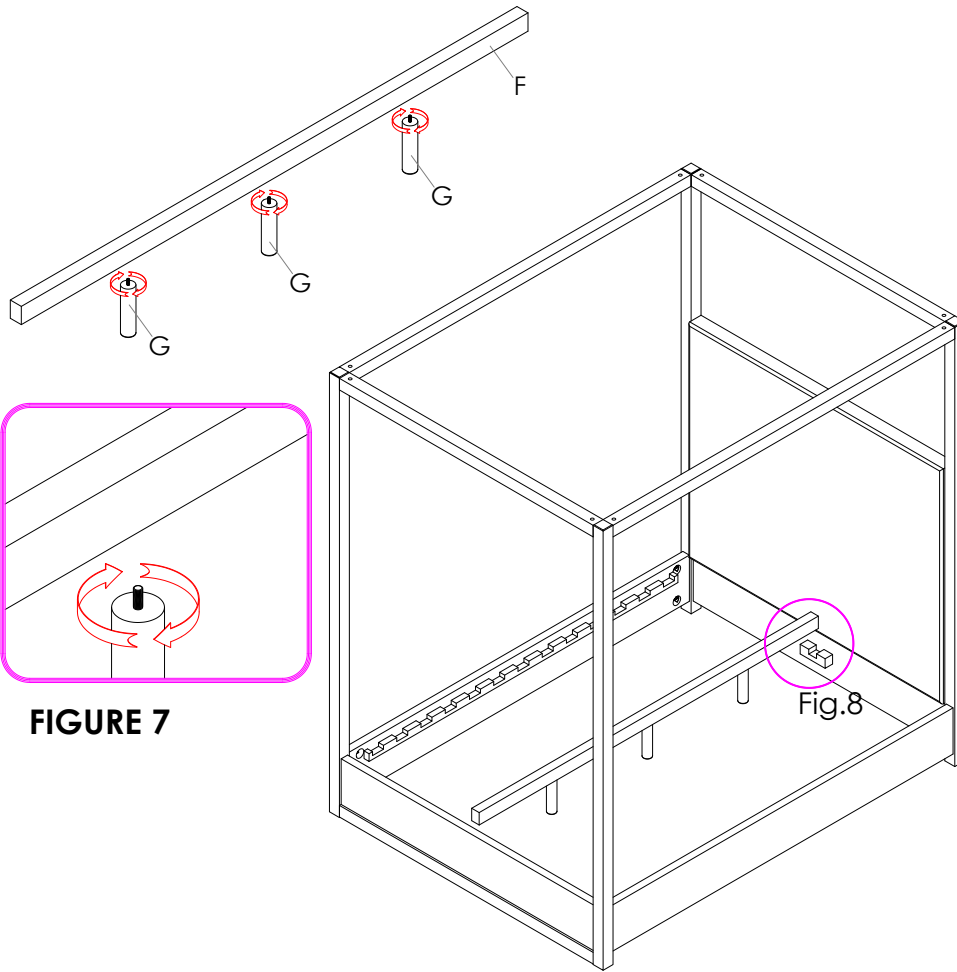
**FIGURE 6-C**





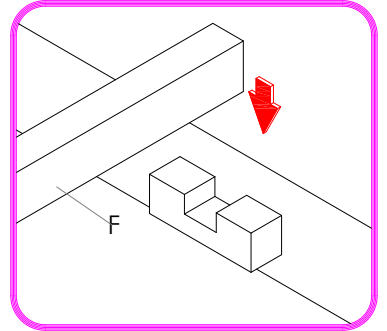






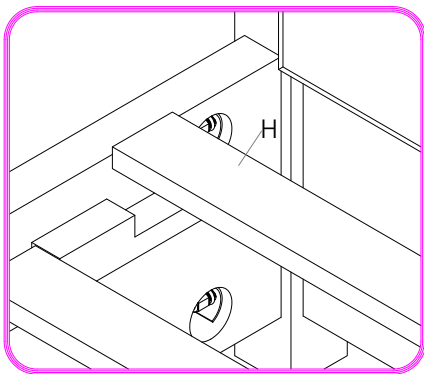
**STEP #11:**  
Attach the Support leg (G) to the Support slat (F) by turning it manual clockwise, as illustrated in **FIGURE 7**.

**STEP #12:**  
On inside face of both headboard and footboard are pre-installed wooden brackets for the support slat (F). Set the support slat (F) on the wooden brackets, as illustrated in **FIGURE 8**.

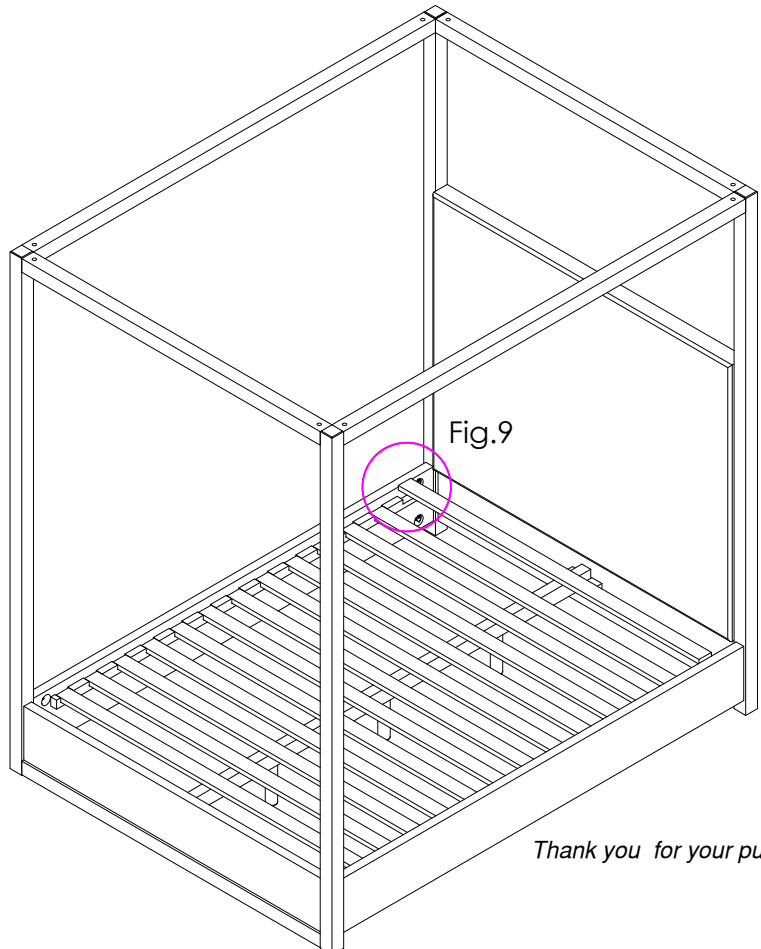


**FIGURE 8**

**STEP #13:**  
Lay the Slat (H) on the wood rail at the side rail as in **FIGURE 9**.



**FIGURE 9**



*Thank you for your purchase*





