

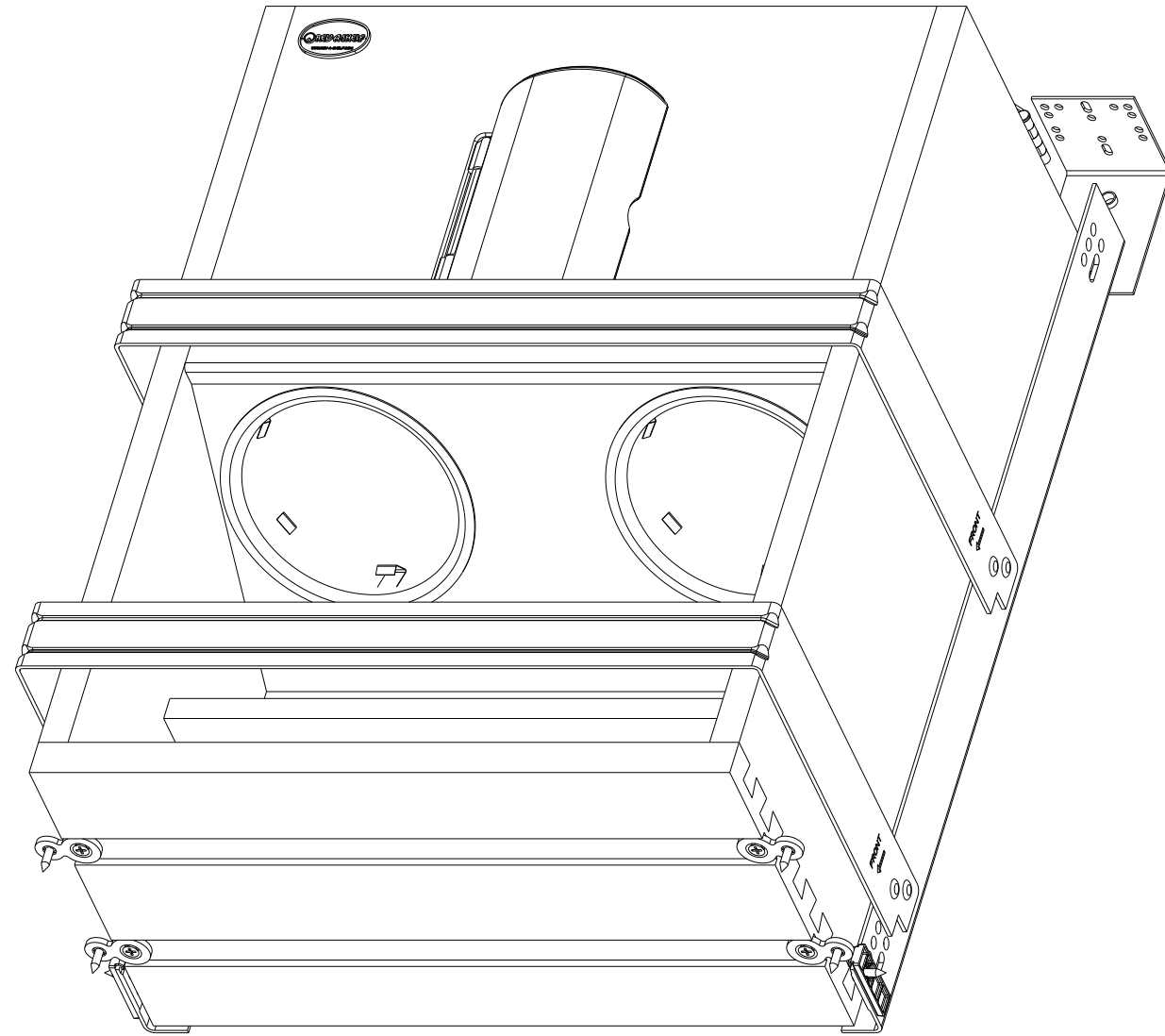
BACK VIEW

CUSTOMER DRAWING
OUTLET COVER LID CLOSED

This drawing is the property of Rev-A-Shelf (RAS) and is disclosed in confidence to the extent its subject matter is original to RAS. Any vendor receiving this drawing from RAS shall hold and use this drawing for the sole benefit of RAS and shall not disclose it to, or use or reproduce it for any third party, or perform any act adverse to the interest of RAS with respect to this drawing without the express written permission of RAS. Vendors shall not revise any physical, dimensional or performance characteristic unless authorized by Rev-A-Shelf Engineering.

REV.	DATE	BY	DESCRIPTION OF CHANGE

INCH [MM]	AMERICAN PROJECTION 	DRAWN	BY	DATE	REV-A-SHELF, INC.	
			LKW	12-20-18	SIZE	18" VANITY OUTLET DRAWER W/ SC
TOLERANCES			MATERIAL	DRAWING NO.	SCALE	
MAT. DEC. (WOOD) .XX ±.03 [8mm] (OTHER) .XX ±.02 [5mm] (ALL) .XXX ±.005 [13 mm] FRACTIONS ±1/32 [8 mm]			FINISH	4VOD-18SC-1	0.250	
ANGLES ±1/2°				PART NO.	SHEET OF	
				4VOD-18SC-1	1	2



MADE FOR A 1.5" FACEFRAME

PART DIMENSIONS	
WIDTH	15.00 [381]
DEPTH	20.50 [520,7]
HEIGHT	8.98 [228]

MIN CABINET OPENING				
	FACE FRAME	FRAMELESS	INSET FACE FRAME	INSET FRAMELESS
WIDTH	15.00 [381]	N/A	15.00 [381]	N/A
DEPTH	20.50 [520,7]	N/A	21.25 [539,8]	N/A
HEIGHT	9.00 [228,6]	N/A	9.00 [228,6]	N/A

SLIDE SPECIFICATIONS				
SLIDE TYPE	BLUM UNDERMOUNT	SLIDE EXTENSION	FULL	MAX WEIGHT RATING
SLIDE CLOSING	SOFT	SLIDE LENGTH	18.00 [457,2]	
SLIDE MOUNTING	SIDE	SLIDE FINISH	ZINC	90 LBS

CUSTOMER DRAWING

OUTLET COVER LID CLOSED

This drawing is the property of Rev-A-Shelf (RAS) and is disclosed in confidence to the extent its subject matter is original to RAS. Any vendor receiving this drawing from RAS shall hold and use this drawing for the sole benefit of RAS and shall not disclose it to, or use or reproduce it for any third party, or perform any act adverse to the interest of RAS with respect to this drawing without the express written permission of RAS. Vendors shall not revise any physical, dimensional or performance characteristic unless authorized by Rev-A-Shelf Engineering.

REV.	DATE	BY	DESCRIPTION OF CHANGE

INCH [MM]	AMERICAN PROJECTION 	DRAWN	BY	DATE	REV-A-SHELF, INC. SIZE B
		LKW	LKW	12-21-18	
TOLERANCES		MATERIAL	DRAWING NO.		SCALE
MAT. (WOOD)	DEC. (OTHER)		4VOD-18SC-1		
ANGLES ±1/2°		FINISH	PART NO.	SHEET OF	
FRACTIONS ±1/32 [0.8 mm]			4VOD-18SC-1	2 2	