

LED Colorlights Wayside

8 inch (200 mm) - 12V AC
-93 Series



Project Name _____

Date _____ Type _____

Notes _____



OUTSTANDING RELIABILITY

- Compatible with most controllers with light-out-detection circuits
- Self-contained design provides protection against moisture and dust
- Backed by a 48 month limited warranty
- Over 210,000 wayside signals sold worldwide

EXCELLENT APPEARANCE & VISIBILITY

- Robust LED system design enables high luminous intensity over long product life*
- Efficient optical system delivers uniform color across both wide- and narrow-beam signals
- Sun Phantom reducing features have been incorporated in our design¹
- Easy to install and align
- Optional dual day/night brightness modes

MEETS RIGOROUS CERTIFICATION & TESTING STANDARDS

- Meets selected AREMA recommended practices, as detailed in the Design Compliance Table
- All lamps undergo comprehensive testing in the manufacturing plant
- Meets key failure rate criteria as per EN 50129

* Detailed rating table with duration and operating conditions available upon request.

RM4 - Wayside

LED Colorlights Wayside

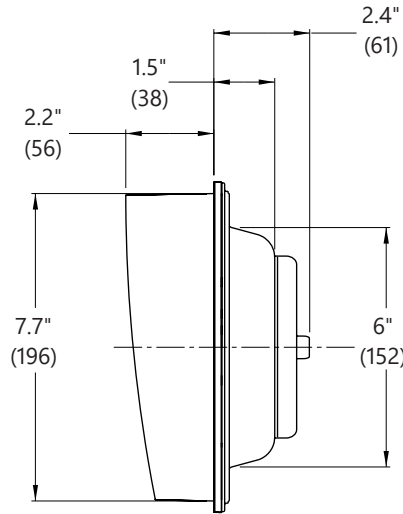
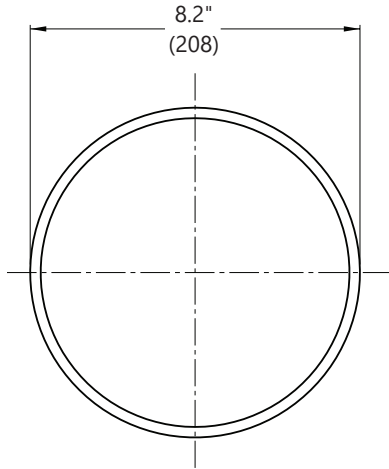
8 inch (200 mm) - 12V AC
-93 Series

Project Name _____

Date _____ Type _____

Notes _____

Mechanical Outline Dimensions in inches (mm)



Design Compliance

Characteristic	Compliance
Impact Resistance of Front Shell	IR3
Mechanical Vibration & Shock	AREMA 11.5.1.D.4/D.5. Class B
Water/Dust Ingress Protection (in typical Rail Housing)	EN 60529 IP65
Dielectric Strength	EN50121-4
Electrical Surge Protection	EN61000-4-5, Class 3*
Electromagnetic Compatibility (EMC)	EN50121-4

Operating Specifications

Parameter	Rating
Operating Temperature Range	-40 to 70°C (-40 to 158°F)
Nominal Operating Voltage	12V AC
Operating Voltage Range	6.5 - 13V AC
Nominal Turn-Off Voltage	5V AC
Turn-On/Turn-Off Time	< 200ms

Product Information

Model Number	Aspect Color	Nominal Watts	Number of LEDs	Approx. Dimming Ratio
-93 Series: Long Range: Visibility to 5000 ft (1500 m)¹				
● RM4-GSFB-75B-93DG	Green	24W	88	50%
● RM4-YSFB-85B-93DG	Yellow	24W	88	50%
● RM4-RSFB-75B-93DG	Red	22W	88	50%
○ RM4-WSFB-75B-93DG	White	24W	88	50%

Notes:

¹ Signal performance when exposed to external light (ex. sun, head lamp) is dependant on each application. Field testing is recommended.

* Assuming adequate primary and secondary surge protection is present at the signal head.

Distributed by: