

# ProLine® Daintree EZ Connect Kit



**Applicable Fixture Types:** LWS and PSF Series.

Only for New Construction.



## BEFORE YOU BEGIN

Read these instructions completely and carefully.

### WARNING / AVERTISSEMENT

#### RISK OF ELECTRIC SHOCK

- Turn power off before inspection, installation or removal.
- Properly ground electrical enclosure.

#### RISK OF FIRE

- Follow all NEC and local codes.
- Use only UL approved wire for input/output connections. Minimum size 18 AWG (0.75mm<sup>2</sup>).

#### RISQUES DE DÉCHARGES ÉLECTRIQUES

- Coupez l'alimentation avant d'inspecter, installer ou déplacer le luminaire.
- Assurez-vous de correctement mettre à la terre le boîtier d'alimentation électrique.

#### RISQUES D'INCENDIE

- Respectez tous les codes NEC et codes locaux.
- N'utilisez que des fils approuvés par UL pour les entrées/sorties de connexion. Taille minimum 18 AWG (0.75mm<sup>2</sup>).

## Save These Instructions

Use only in the manner intended by the manufacturer. If you have any questions, contact the manufacturer.

## Components Supplied

- EZ Connect Kit

## Prepare Electrical Wiring



### *Electrical Requirements*

- The LED luminaire must be connected to the mains supply according to its ratings on the product label.

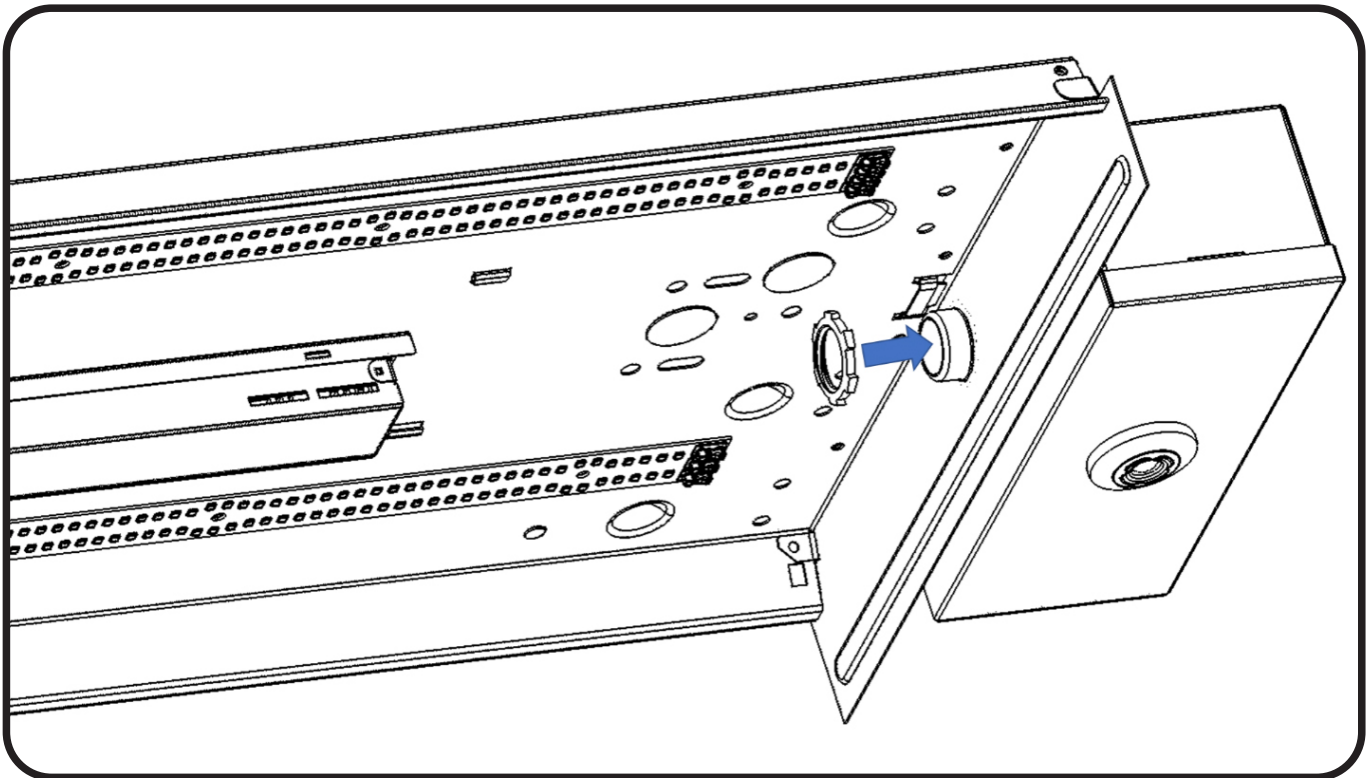


### *Grounding Instructions*

- The grounding and bonding of the overall system shall be done in accordance with National Electric Code (NEC) Article 600 and local codes.

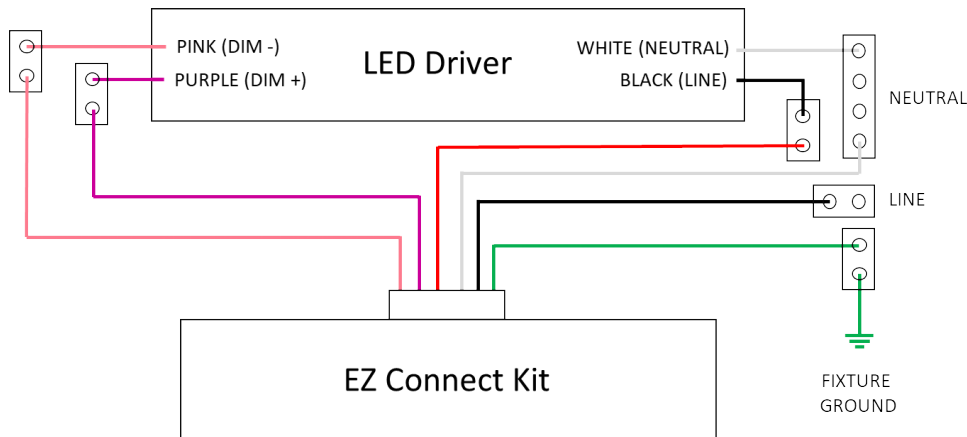
## Installation

- 1 Follow instructions provided with fixture to access LED driver enclosure.
- 2 Remove knockout from end of fixture and pass wires and conduit from kit into fixture. Secure conduit to fixture with provided conduit nut.



- 3 Make the following electrical connections:
  - ground from the kit to the fixture ground
  - pink and purple from the kit to the pink and purple from the LED driver
  - red wire from the kit to the black line from the LED driver
  - white wire from the kit to the white neutral from the LED driver

- ④ Connect the building line, neutral and ground to the kit line, neutral and ground shown below.



This device complies with Part 15 of the FCC Rules. Operation is subject to the following two conditions: (1) This device may not cause harmful interference, and (2) this device must accept any interference received, including interference that may cause undesired operation.  
CAN ICES-005 (A) / NMB-005 (A)

**Note:** This equipment has been tested and found to comply with the limits for a Class A digital device, pursuant to part 15 of the FCC Rules. These limits are designed to provide reasonable protection against harmful interference when the equipment is operated in a commercial environment. This equipment generates, uses, and can radiate radio frequency energy and, if not installed and used in accordance with the instruction manual, may cause harmful interference to radio communications. Operation of this equipment in a residential area is likely to cause harmful interference in which case the user will be required to correct the interference at their own expense.