

GT1™ LED

Pedestrian Signals

12 inch - Full Hand, Full Person,
Overlay, Countdown

Project Name _____

Date _____ Type _____

Notes _____



EXCELLENT APPEARANCE & VISIBILITY

- Robust LED system design enables high luminous intensity over long product life
- Efficient optical system minimizes power consumption while providing excellent uniformity and viewing angles
- Single piece transparent front window with internal masking to prevent:
 - icons display from being readily visible when not in operation
 - scratches and abrasions compared with external silk screen technology
- Bright and clear icons
- New or retrofit use
- Fully uniform look

OUTSTANDING RELIABILITY & ROBUST OPERATION

- Individual power supply drives each display to ensure proper indication

MEETS RIGOROUS CERTIFICATION & TESTING STANDARDS

- Compliant to NYSDOT Specifications
- Using MIL-STD-810F for environmental robustness, passed reliability and qualification testing including high temperature, high humidity cycling (HTHH for 1,000 hours)
- Production quality compliant to GE Six Sigma requirements
- Compliant with the ITE PTCSI LED Signal Modules - version dated August 2010



The Greatest Signals Stand the Test of Time.™

GT1™ LED Pedestrian Signals

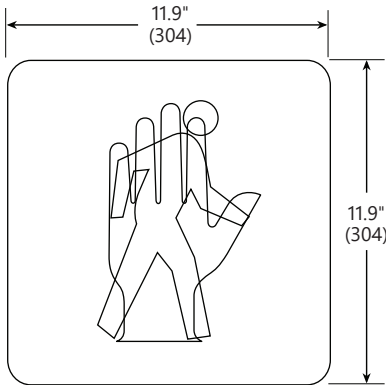
12 inch module

Project Name _____

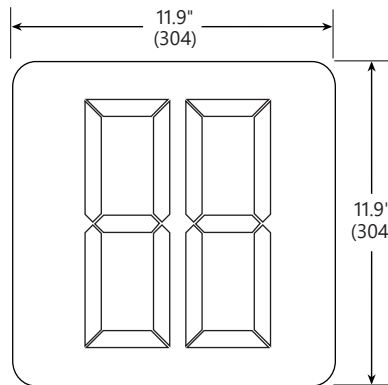
Date _____ Type _____

Notes _____

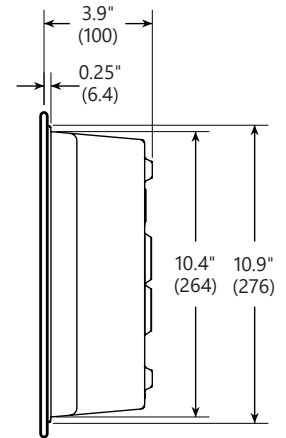
Mechanical Outline Dimensions in inches (mm)



①



②



③

Design Compliance

Test type	Compliance
Luminous Intensity	ITE PTC SI LED Signal Modules Version of August 2010
Chromaticity	ITE PTC SI LED Signal Modules Version of August 2010
Moisture Resistance	Blown Wind Rain MIL-STD-810F Test Method 506.4, Procedure 1
Mechanical Vibration	MIL-STD-883 Method 2007
Electronic Noise	FCC Title 47 Sec 15 Sub. B ¹
Transient Voltage Protection	ITE PTC SI LED Signal Modules Version dated August 2010
Controller Compatibility	NEMA TS-2-2003
Wiring	NFPA 70, National Electric Code
Digits	MUTCD 2003, Section 4E.07, Countdown Numbers Minimum 9" Height & 7" Width

Operating Specifications

Parameter	Rating
Operating Temperature Range*	-40 to +74°C (-40 to +165°F)
Operating Voltage Range	80 to 135 V (60Hz AC)
Power Factor (PF)	> 90%
Total Harmonic Distortion (THD)	< 20%
Voltage Turn-Off (VTO)	35 V
Start-up Time	< 75msec
Lens & Shell Material	UV Stabilized Polycarbonate
Wiring	16 AWG, Color Coded with Strain Relief
LED Color	Hand: Portland Orange Person: Lunar White

* Performed in compliance with ITE test method described in the technical notes

Product Information

Model Number	Dimensions	Symbol	AC Voltage Nominal	Power (W) ¹	Beam Pattern Degrees	Mechanical Outline
PS6-CFL1-26A-24	12 in x 12 in	Full Person / Full Hand / Overlay	120V - 60Hz	5	26	1 and 3
PS6-PFD1-26A-24-NY	12 in x 12 in	Countdown	120V - 60Hz	5	26	2 and 3

Test Condition: Ta = 25°C. All values are design or typical values when measured under laboratory conditions.

¹ Class A

Distributed by: