

MSB

Decorative Wall Sconce

Project _____

Catalog _____

Type _____

Date _____

Product Description

The MSB Wall Sconce embodies elegance with its sleek design and striking black finish accented by metallic touches. This sophisticated pendant light is designed for easy installation on a recessed junction box, offering a seamless addition to any space. ADA compliant, it meets accessibility standards without compromising on style. The opaline glass shade diffuses light beautifully, making it a perfect choice for bathrooms, enclosed patios, and entryways, creating a welcoming and refined ambiance wherever it's placed.

Construction

- Steel body and backplate
- Matte black powdercoat housing
- Opaline glass shade
- Gold or Nickel bottom shade accents
- Accommodates one E12 base 40W max incandescent bulb or one 6W LED bulb (not included)
- Fixture weight: 2.2 lbs (1 kg)
- Dimmable bulb recommended for use with dimmer switch
- Hardwired fixture; professional installation recommended

Maintenance

- Wipe with a soft cloth
- No abrasive cleaners

Electrical

- Input Voltage: 120 VAC
- Input Wattage: 6W LED max

Mounting and installation

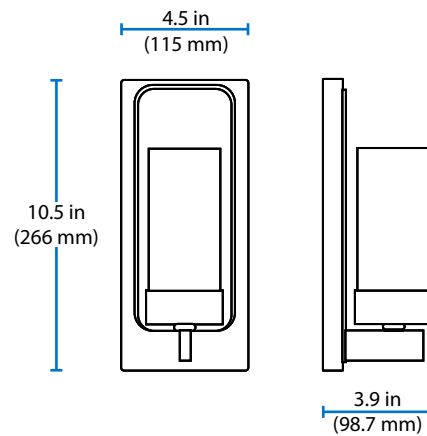
- Easy installation on a recessed junction box
- Fixture mounts directly to J-Boxes with mounting plate and threaded nipple
- For installations where power surge may be possible, NICOR recommends installing additional surge protection at the electrical distribution panel

Listings

- cETLus 1598 Listed for damp locations
- RoHS Compliant
- ADA Compliant

Warranty

- 1-year limited system warranty standard
- Warranty does not cover product failure due to an overvoltage event (power surge)



This device complies with part 15 of the FCC Rules. Operation is subject to the following two conditions: (1) This device may not cause harmful interference, and (2) this device must accept any interference received, including interference that may cause undesired operation.

NOTE: This equipment has been tested and found to comply with the limits for a Class A digital device, pursuant to part 15 of the FCC Rules. These limits are designed to provide reasonable protection against harmful interference when the equipment is operated in a commercial environment. This equipment generates, uses, and can radiate radio frequency energy and, if not installed and used in accordance with the instruction manual, may cause harmful interference to radio communications. Operation of this equipment in a residential area is likely to cause harmful interference in which case the user will be required to correct the interference at his own expense.



Ordering Information

Example: MSB1120E12BKGL

Series	Version	Voltage	Light Source	Housing Finish	Accent Finish
MSB	1	120	E12 (Socket Only)	BK (Black)	GL (Gold)
					NK (Nickel) ¹

Specifications and dimensions subject to change without notice. Please refer to the website for the most up-to-date information.

1. Contact factory for MOQ and lead times on NK finishes.

NICOR, Inc. 2200 Midtown Place NE, Albuquerque, NM 87107 P: 800.821.6283 F: 800.892.8393
www.nicorlighting.com April 18, 2024 7:49 PM MSB Page 1

