

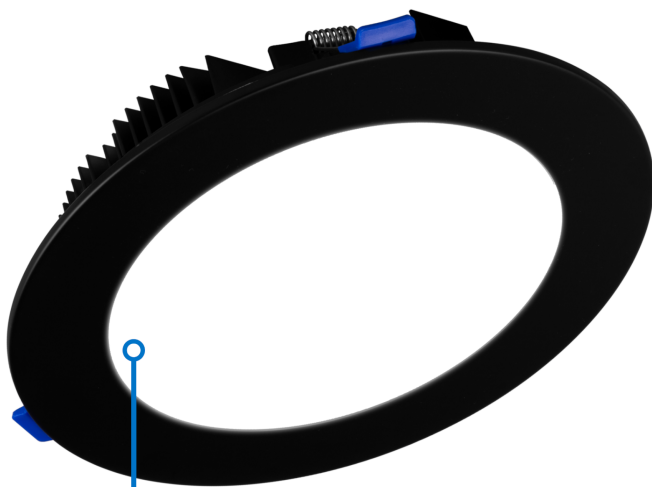
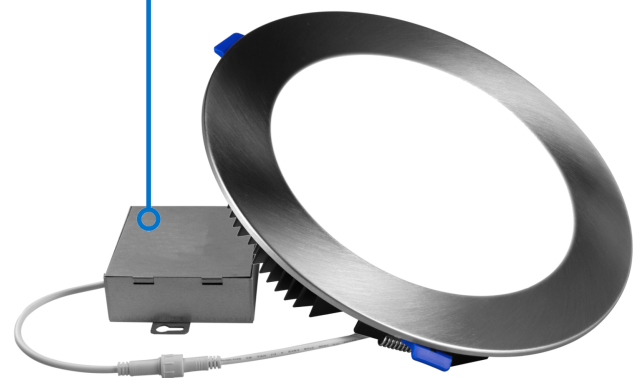
DLE8 V2

8" Recessed LED Downlight

The DLE8 Edge Lit LED Downlight Series offers an attractive visual aesthetic with a low profile. The edge-lit technology uses a reflective light guide panel that disperses light through a diffused lens, making it a practical and economical solution with high performance. The ultra-thin fixture depth and off-board driver allow for more flexible installation and increased lifetime with improved thermal management. The DLE8 fixture uses a plenum-rated cable connector to link the downlight module to the remote driver box. It then pops into place with its adjustable, spring-loaded retention tabs for a secure fit, eliminating the need for a J-box or recessed housing. Adding light in tight spaces such as hallways, bathrooms, basements, entryways, porches, stairways, work areas, utility closets and corridors just got easier.

Off-board Driver

No recessed housing or J-box is needed



Edge Lit Technology

Uses a reflective light guide panel that disperses light through a diffused lens

Retention Clips

For easy installation, no housing needed



DLE8 V2

Product Specifications

Construction

- Cast aluminum housing routes heat away from electrical components
- Edge-Lit technology allows for extremely thin fixture depth
- Adjustable, spring loaded retention tabs ensure secure fixture retention
- Certified for direct contact with insulation
- Includes gasket to meet AirTight requirements

Optical System

- Precision engineered optical stack creates uniform light distribution that maximizes lumen output
- Frosted diffused acrylic lens also available CCT offered at 2700K, 3000K, 4000K, 5000K
- Utilizes high performing LEDs with a greater than 90 CRI and an R9 greater than 50

Electrical

- Off-board driver minimizes installation height and maximizes fixture life through improved heat management
- Dimmable to less than 5% with compatible TRIAC dimmers
- Operating temperature of 0° to 120°F (-18°C to 49°C)
- Input voltage of 120VAC
- TM-21 Reported L70(9K) hours >54,000

Finish

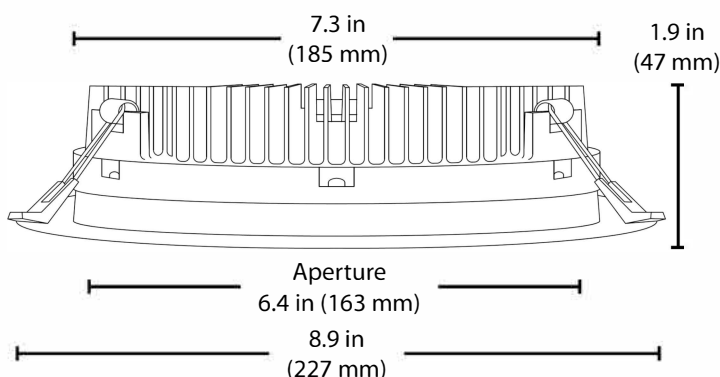
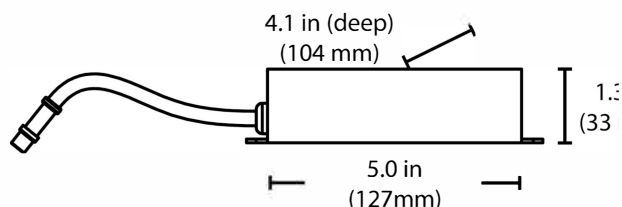
- Matte white powder coat finish
- Color trims available in Black, Nickel and Aged Copper

Mounting and Installation

- Spring loaded retention arms allow for easy installation with no need for a recessed housing
- Off-board driver/junction box includes two 1/2" KOs and three-port poke-in connectors
- Included paper cutting template
- Metal rough in template available
- Extension power cables (2', 10', 20') available
- Suitable for damp locations

Warranty

- 5-year limited system warranty standard
- Warranty does not cover product failure due to an overvoltage event (power surge)
- For installations where power surge may be possible, NICOR recommends installing additional surge protection at the electrical distribution panel



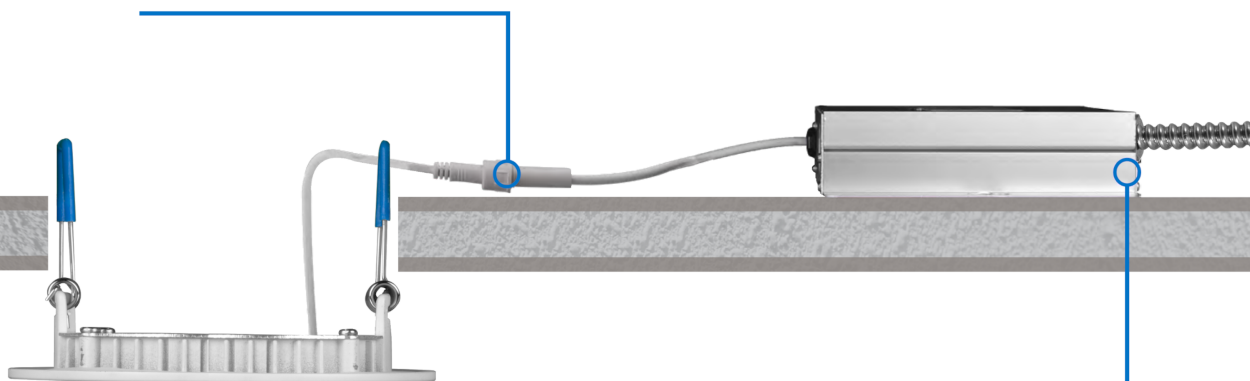
Performance Data

Model Number	Lumens	Watts	Lumens/Watt
DLE821202KRDWH	2384	28.8	82.8
DLE821203KRDWH	2441	28.8	84.8
DLE821204KRDWH	2489	28.8	86.4
DLE821205KRDWH	2553	28.8	88.6



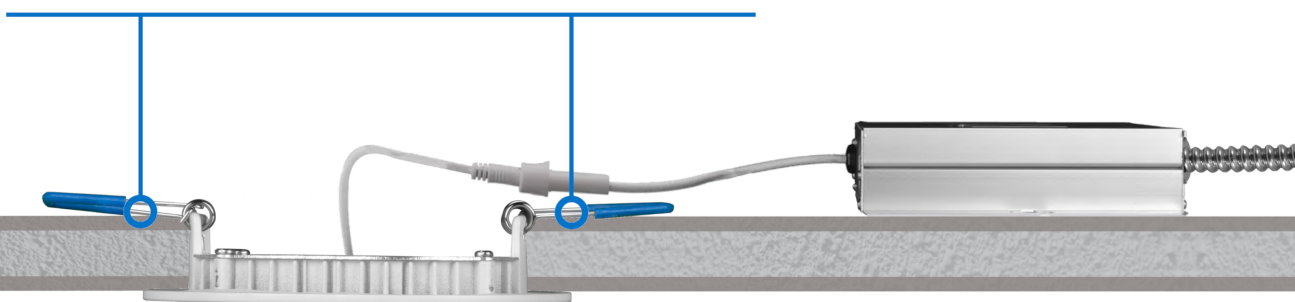
Remote Driver Products Installation

Connect fixture with
barrel connectors



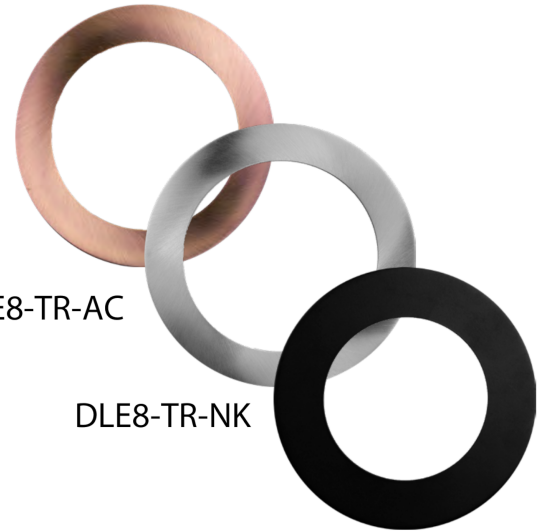
Wire driver using any of the
three knockouts provided

Insert fixture into cut hole.
Mounting springs will pull fixture to ceiling



Accessories

DLE8	
8" Aged Copper Trim Ring- Round	DLE8-TR-AC
8" Black Trim Ring- Round	DLE8-TR-BK
8" Brushed Nickel Trim Ring - Round	DLE8-TR-NK
8" Rough in Template	ROUGHIN-TEMPLATE-8
24" Extension Cable	DLE-EXTCABLE-24
10' Extension Cable	DRIVER-EXTCABLE-10
20' Extension Cable	DRIVER-EXTCABLE-20



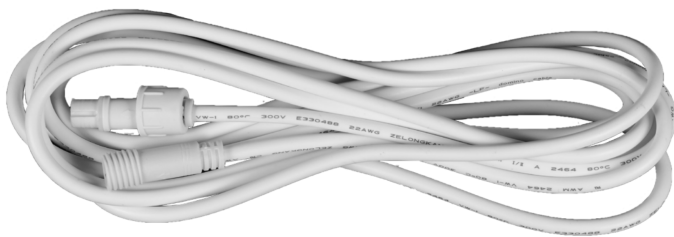
DLE8-TR-AC

DLE8-TR-NK

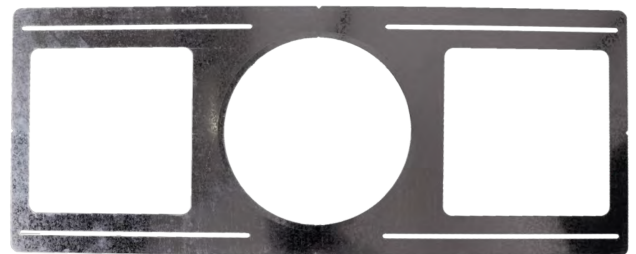
DLE8-TR-BK



DRIVER-EXTCABLE-10



DLE-EXTCABLE-24



ROUGHIN-TEMPLATE-8

