

DCR4-TRIM

TRIM ACCESSORY FOR DCR4

Product Description

The color trims gives an additional decorative element to the DCR4 fixtures. The simple tab system attaches the trim on to the face of the DCR4 for a clean and stylish look.

Construction

- Stamped steel
- Designed to work with NICOR's DCR4 LED downlight

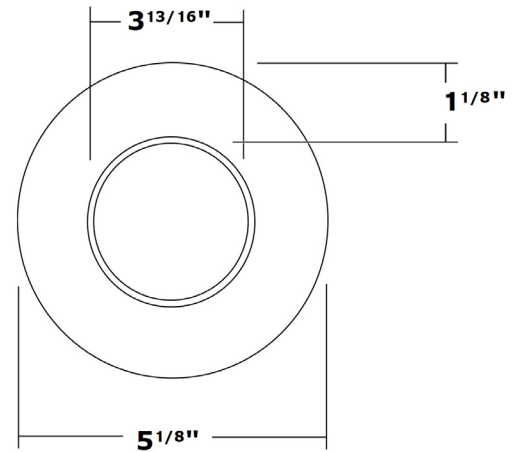
Finish

- Aged Copper plating
- Brushed Nickel plating
- Black powder coat

Installation

- Align to face of fixture and bend tabs to secure.

Date



Ordering Information

Example: DCR4-TR-AC

Size	Color Trim
DCR4-TR (4" diameter)	AC (Aged Copper)
	BK (Black)
	NK (Brushed Nickel)

Specifications and dimensions subject to change without notice.