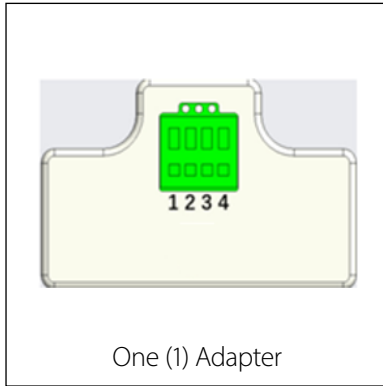




WARNING - RISK OF SHOCK

1. Input: 16-24VAC 50/60Hz
2. Turn off power before installation

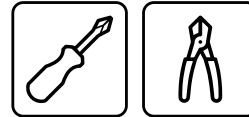
What's In The Box



One (1) Adapter

Tools Needed

The Adapter requires very few tools for installation. A screwdriver and a pair of wire cutters will be required to install the adapter.



Compatibility

The PrimeChime Video Doorbell Adapter is currently required for proper operation of the Ring Wired Plus 2 and the Ring Wired Pro 3 Video Doorbells. See the compatibility list on the PrimeChime spec sheet for full information.

Installation

1 Preparation

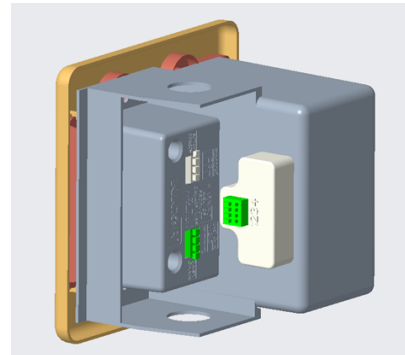
- Shut off power to desired circuit before any work. Identify and prepare location for installation.
- Carefully unpack the adapter from its packaging and inspect product for defects due to shipping.
- If installed, remove the PrimeChime from its junction box. If not yet installed, move to Step 2.

2 Mounting

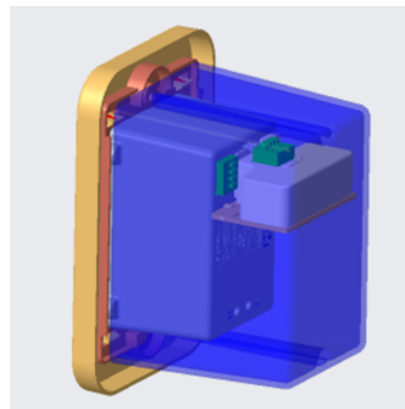
- PRCP2/A : Mount the adapter to the side wall of the low voltage section of the junction box using double-sided tape as shown.
- PRMC : Mount the adapter to the low voltage side of the divider as shown using double-sided tape.
- DO NOT add the Ring adapter to the system. The NICOR adapter enables proper function without the Ring adapter.

3 Wiring

- Connect the adapter to the PrimeChime per the wiring diagrams on the next page

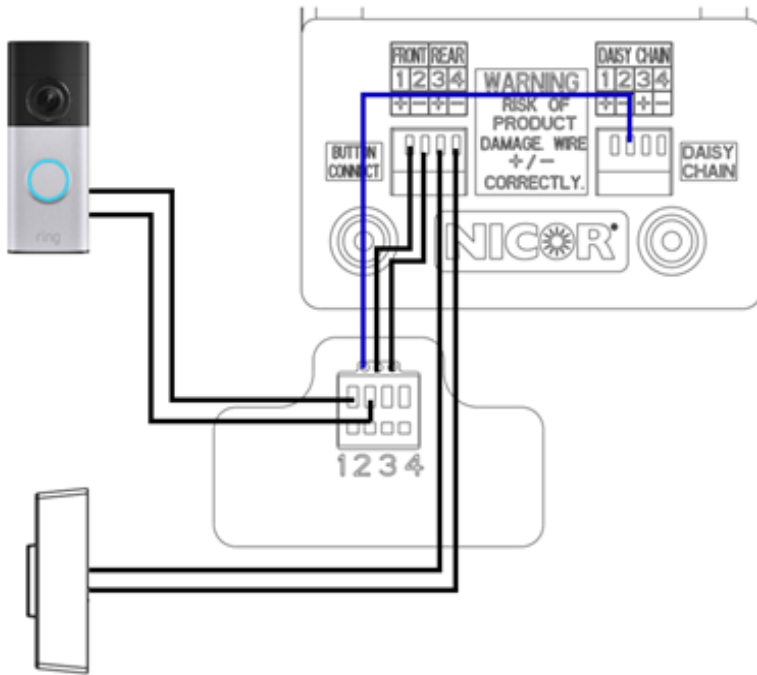


PRCP2/A



PRMC

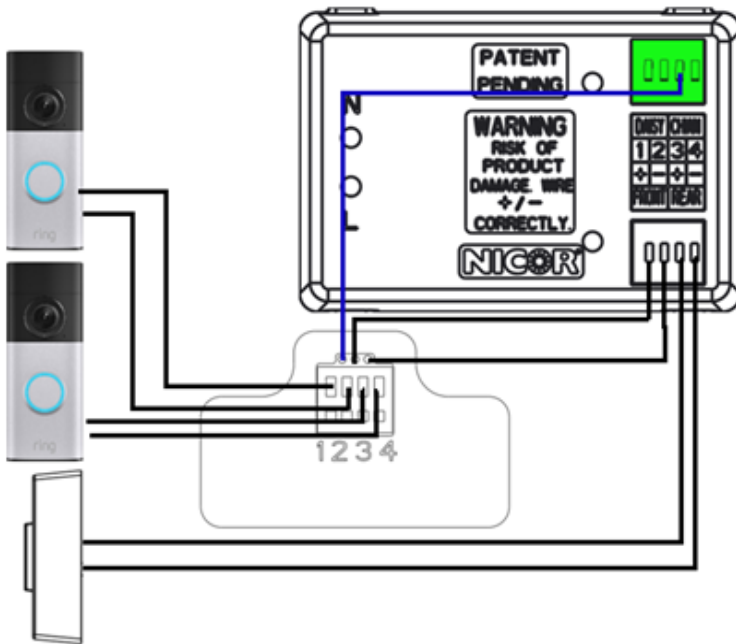
Wiring Diagrams - PRCP2/A



Wiring Notes

- Adapter may be connected to ports 1 and 2 or 3 and 4. Only the front door melody selection will play, regardless of the port configuration.

Wiring Diagrams - PRMC



Wiring Notes

- If the adapter is connected to ports 1 and 2 of the PrimeChime, the front door tone will sound.
- If the adapter is connected to ports 3 and 4 of the PrimeChime, the back rear door tone will sound.