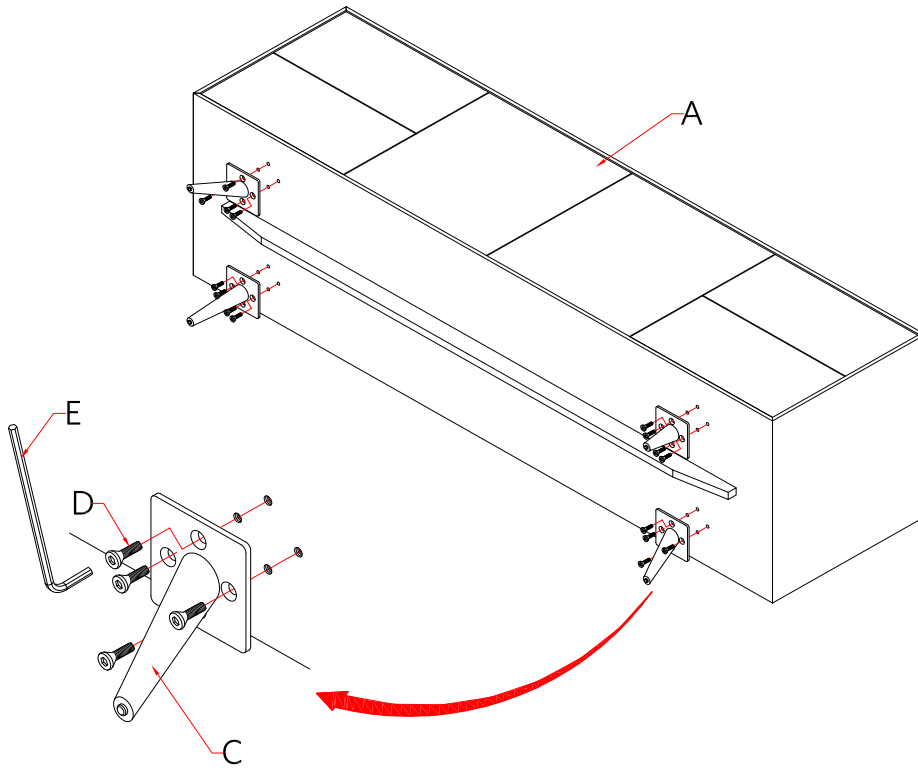
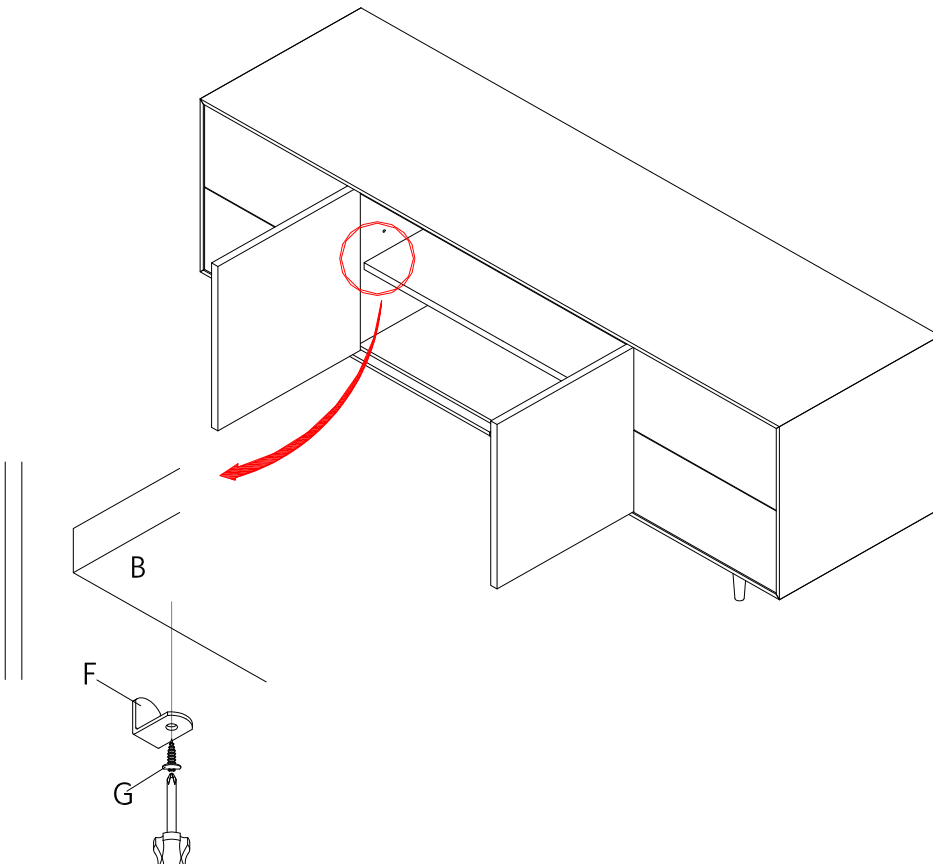


ALMERA MEDIA CONSOLE

1



2



A	1
B	1
C	4
D	16
E	1
F	4
G	4
H (Not Provided)	1