

Lumination® LED Track Light

LTM Series Mini Track Light



CUSTOMER NAME _____

Project Name _____

Date _____ Type _____

Catalog Number _____

The Lumination® LED Luminaires Series provide first class options for architects, designers and facility managers who want superior flexibility in an LED accent lighting system. The LTM Series is a smaller sized version of the Lumination® TS Series and provides the same high performance and depth of product offering. Choose from options including a wide range of lumen packages, color temperatures and beam distributions.

CONSTRUCTION

Housing:	Die-cast and precision machined head, 2-piece precision, rigid plastic driver compartment, nylon lock washer firmly sets aiming angle
Lens:	Silicone high-efficiency TIR lens
Paint:	Textured powder coat finish
Weight:	Vertical Driver Fixture @ 1.08 lbs, Horizontal Driver Fixture @ 1.25 lbs
CRI:	Precision designed reflectors and diffusers for optimal efficiency, custom designed spot optical system optimizes CBCP

CONTROLS

Dimming:	Triac & ELV (Forward & Reverse Phase) dimming standard
-----------------	--

LUMEN AMBIENT TEMPERATURE

TYPE	TEMPERATURE RATE
OPERATING TEMPERATURE	XXX
STORAGE TEMPERATURE	XXXX

OPTICAL SYSTEM

Lumens:	950-1375
Distribution:	Spot 16°, Narrow Flood 20°, Flood 25°, Wide Flood 35°
Wattage:	9.5-18.5
Efficacy:	Up to 93 LPW
CCT:	2700K/3000K/3500K/4000K
CRI:	80 and 90 CRI options

LUMEN MAINTENANCE

LXX(10K) @ Hours 50,000 HR
L70

MOUNTING

- Track adapters easily twist into track systems for quick installation.
- Compatible with several brands of track systems.

ELECTRICAL

Input Voltage:	120V
Input Frequency:	50/60 Hz
Standard Dimming Control:	Triac & ELV (Forward & Reverse Phase) dimming standard
Power Factor (PF)*:	>0.9
Total Harmonic Distortion (THD)*:	>20

* PF and THD may vary with options

DESIGN LIFE & WARRANTY

- Current's Limited 5-year Warranty:
Please refer to document **IND599** for more information.



Lumination® LED Track Light

LTM Series Mini Track Light

Catalog Logic and Accessories

CUSTOMER NAME

Project Name _____

Date _____ Type _____

Catalog Number _____

Ordering Information¹ (Important: Please see note 1 below) :

L **TM** **A** **1** **P** **Q**

FAMILY	PRODUCT FAMILY	FIXTURE TYPE	GENERATION	VOLTAGE	NOMINAL LUMENS	DISTRIBUTION	CRI	CCT	DIMMING	CONTROLS	MOUNTING	FINISH	DIFFUSER	OPTIONS
L = Lumination Track Mini	TM = Track Light Mini	HD = Horizontal Driver Box VD = Vertical Driver Box	A = 1 st Generation	1 = 120V	09 = 950 Lumens 11 = 1150 Lumens 13 = 1375 Lumens	SP = Spot Flood FL = Flood WF = Wide Flood	8 = 80 CRI 9 = 90 CRI	27 = 2700 30 = 3000 35 = 3500 40 = 4000	P = Phase Dimming	Q = none	G1 = GES Global Ecosystem 1&2 circuits, compatible with Halo track J1 = Juno 1 & 2 circuit (compatible with Contech) L2 = Lightolier Lytespan 1&2 circuits	WHITE= White BLCK= Black SLVR= Silver	DXX = None D03 = 3.5 Diffuser D05 = 5 Diffuser D07 = 7.5 Diffuser D10 = 10 Diffuser D20 = 20 Diffuser DL6 = 60x10 Diffuser DL3 = 30x3 Diffuser	(blank) = none HX = Hexcel SN = Snoot Hexcel

STANDARD LED CONVERSION TABLE

Lumen and CBCP output varies based on Wattage, CCT and CRI. Table below is based on 18.5W, 3000K, 80 CRI fixture. To estimate lumen and CBCP output of other combinations, multiply photometric data by factors below.

LUMEN WATTAGE	827	830	835	840	927	930	935	940
10.2W	0.65	0.69	0.71	0.72	0.55	0.57	0.59	0.6
13.4W	0.79	0.84	0.86	0.88	0.67	0.7	0.71	0.73
18.5W	0.95	1	1.03	1.05	0.8	0.83	0.85	0.87

EFFICACY CHART

Lumens (lm)	Wattage (W)	LPW
950	10.2	93
1150	13.4	86
1375	18.5	74

ACCESSORIES: LUMINATION® LTM SERIES

Material	Description Code	Product Descriptions
93026378	LT MDF035	LTM 3.5° Diffuser
93026529	LT MDF05	LTM 5° Diffuser
93026530	LT MDF075	LTM 7.5° Diffuser
93026901	LT MDF10	LTM 10° Diffuser
93026902	LT MDF20	LTM 20° Diffuser
93026903	LT MDF30	LTM 30° Diffuser
93026904	LT MDF6010	LTM 60x10° Linear Spreader
93026905	LT MDF303	LTM 30x3° Linear Spreader
93026697	LTMSNWHITE	LTM White Snoot
93026906	LTMSNBLCK	LTM Black Snoot
95019410	LTMSNSLVR	LTM Silver Snoot
93026696	LTMHX	LTM Hexcel Louver

Lumination® LED Track Light

LTM Series Mini Track Light

Dimensions

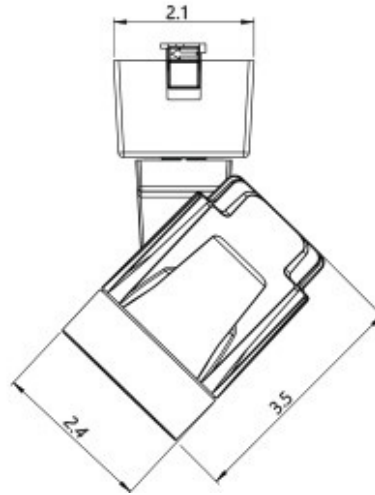
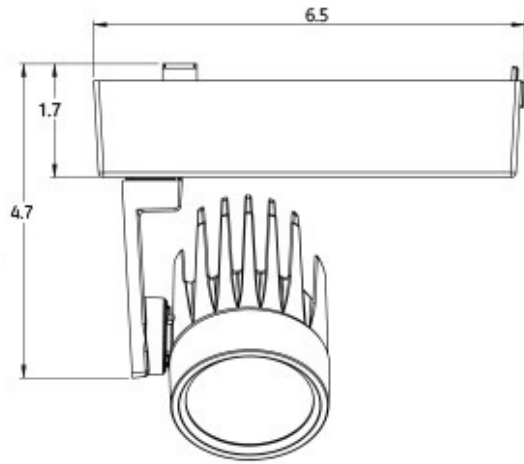
CUSTOMER NAME

Project Name _____

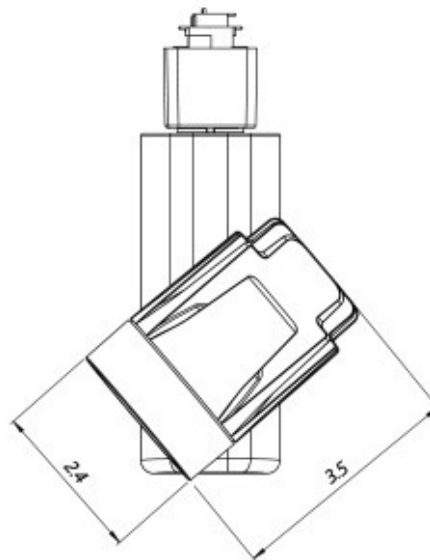
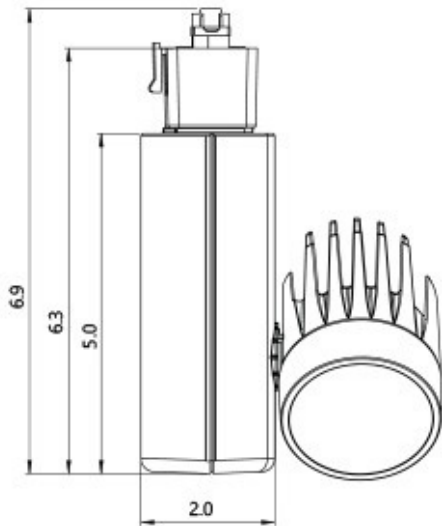
Date _____ Type _____

Catalog Number _____

HORIZONTAL DRIVER MOUNT



VERTICAL DRIVER MOUNT



Lumination® LED Track Light

LTM Series Mini Track Light

Photometrics

CUSTOMER NAME

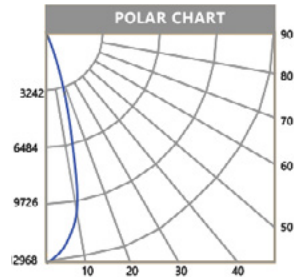
Project Name _____

Date _____ Type _____

Catalog Number _____

PHOTOMETRIC DATA: LTM SERIES - TRACK MINI LED TRACK LIGHT

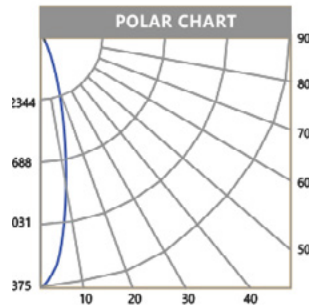
18.5 Watt - 1375 Lumen Spot Distribution - 16° Beam



ANGLE	CANDELA
0	12753
5	10135
15	1103
25	106
35	65
45	27
55	16

HEIGHT	FC	DIA (FT)
6	354	1.7
8	199	2.3
10	128	2.9
12	89	3.5
14	65	4.1
16	50	4.6

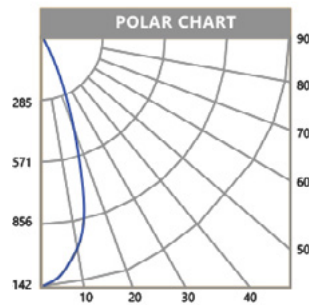
18.5 Watt - 1375 Lumen Spot Narrow Flood Distribution - 20° Beam



ANGLE	CANDELA
0	9289.5
5	7338.4
15	1539.4
25	195.7
35	80
45	40.4
55	22.2

HEIGHT	FC	DIA (FT)
6	258	2.0
8	145	2.7
10	93	3.4
12	65	4.0
14	47	4.7
16	36	5.4

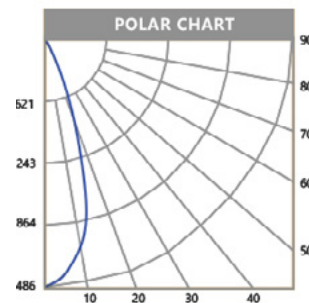
18.5 Watt - 1375 Lumen Spot Distribution - 25° Beam



ANGLE	CANDELA
0	5097
5	4831
15	2386
25	457
35	141
45	62
55	31

HEIGHT	FC	DIA (FT)
6	142	1.7
8	80	2.3
10	51	2.9
12	35	3.5
14	26	4.1
16	20	4.6

18.5 Watt - 1375 Lumen Spot Narrow Flood Distribution - 30° Beam



ANGLE	CANDELA
0	2456
5	2397
15	1719
25	618
35	170
45	58
55	28

HEIGHT	FC	DIA (FT)
6	68	3.9
8	38	5.3
10	25	6.6
12	17	7.9
14	13	9.2
16	10	10.5

For Additional Information or Product Technical Questions:
lightingproinfo@gecurrent.com