

HML1

LED High-Performance High Bay

Product Description

NICOR introduces the newest high bay product line: the patent pending, ultra-efficient, high performance HML high bay. With only a 10x14" footprint (on lower wattages), its compact design offers an impressive light output with simple, single-person installation. The DLC 5.1 Premium certified fixture offers a variety of wattage, sensor, and aisle distribution options. It's durable single-piece cast aluminum design is perfect for rugged applications like warehouses, gymnasiums, and other industrial or commercial spaces.

Construction

- Fully cast aluminum body with integrated cooling features
- Top mounted wireway cover for easy wire access
- Polyester powder coat finish

Optical System

- Standard diffused lens
- Optional aisle lens (45° x 100°) available
- Optional wide lens (105° x 105°) available
- CCTs of 3500K, 4000K, 5000K and 5700K with >80 CRI

Electrical

- Offers multiple power levels: 100W, 130W, 150W, 210W, 300W and 450W
- Operating temperature rating of -4°F to 131°F (-20°C to 55°C)
- Input voltage of 120-277V, 277-480V input option available
- Dimming: 0-10V standard

Controls

- Pre-installed sensor socket models available
- Field installable multifunction MW or PIR sensor available (on sensor socket models)
- Standard full-range dimming with compatible 0-10VDC dimmers
- 12VDC output provides power to off-board sensors or controls

NLC (Network Lighting Controls)

- Bluetooth Low Energy (BLE) mesh network providing Luminaire Level Lighting Control
- Field installable BLE PIR/Daylight sensor (NLC SPEJ1WH-LHW) available
- Configurable with the NICOR NLC app available on iOS and Android devices
- Provides full dimming control with occupancy and daylight harvesting functions

Mounting and Installation

- V-hook and 3' chain mounting system included
- Wireguard option available for increased fixture protection
- Pendant mount and surface mount kits available
- For installations where power surge may be possible, NICOR recommends installing additional surge protection at the fixture or electrical distribution panel

Listings

- cULus1598 Listed for damp locations
- ASHRAE 90.1 compliance when specified with sensor option
- RoHS Compliant
- Meets FCC Part 15, Subpart B, Class A standards for conducted and radiated emissions
- TM-21 Reported L70(10k) life >60,000 hours
- LM-79, LM-80 testing performed in accordance with IESNA standards
- DLC Premium and Standard Listing depending on optic distribution option
- UL impact test rated IK08/5 joules

Warranty

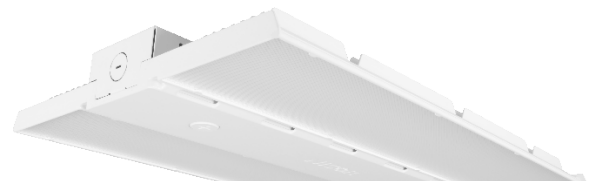
- 5-year limited system warranty standard
- Warranty does not cover product failure due to an overvoltage event (power surge)

Project

Catalog

Type

Date



HML1
100W, 130W, 150W
210W, 300W, 450W
LED High-Performance High Bay



HML1

LED High-Performance High Bay

Ordering Information									Example: HML1150U50AS
Series	Version	Wattage	Input Voltage	CCT	Distribution	Sensor Socket	Emergency	Wiring Options	
HML	1	100 (14000 lm)	U (120-277V)	35 (3500K) ⁹	A (general - 90°x90°)	Blank (No)	Blank (No)	Blank (No)	
		130 (18000 lm)	H (277-480V) ¹	40 (4000K)	B (wide - 105°x105°)	S (socket)	E08 (8W) ^{2,10}	C (Cord - 3-wire, 6ft) ⁶	
		150 (20000 lm)		50 (5000K)	C (aisle - 45°x100°) ¹		E18 (18W) ^{3,10}	C4 (Cord - 4-wire, 6ft) ⁷	
		210 (29000 lm)		57 (5700K) ⁹			E25 (25W) ^{4,10}	F (Flex Conduit - 6ft) ⁸	
		300 (42000 lm)					E40 (40W) ^{5,10}		
		450 (66000 lm)							

Specifications and dimensions subject to change without notice.

1) Only on 150W and higher models

2) 8W is for 100W version only

3) 18W for 100-150W versions only

4) 25W is for 210W version only

5) 40W is for 300-450W versions only

Note: End user is responsible for proper selection of battery pack to meet NFPA requirements

6) C3 Cord is 18/3 wire, 6' long, black. Other lengths available upon request

7) C4 cord is 18/4 wire, 6' long, black, for use with Emergency enabled fixtures. Other lengths available upon request

8) Flexible metal conduit is 6' long, 18/3 wire configuration. Other lengths available upon request

9) 3500K and 5700K available by special order

10) Emergency not available on HV fixtures

NICOR Lighting Controls (NLC)

Any "S" (sensor socket) model can be converted to use with NICOR Lighting Controls (NLC) by installing the NLC sensor. See www.nicorlighting/network-lighting-controls for more information and NLC Component Data Sheets.

Motion Sensors

Passive Infrared Motion Sensor	H12VSENSORPIR
Microwave Motion Sensor	H12VSENSORMW
Remote Control for Sensors	H12VREMOTE
NICOR Lighting Controls PIR Sensor	NLCSPJE1WH-LHW

Motion sensors for use on socket enabled ("S") fixtures only



Wireguard Accessories

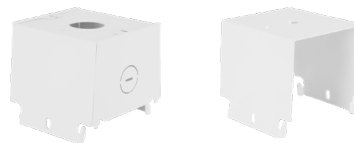
Wireguard for HML1 100-150W	HML1WGNS
Wireguard for HML1 210-300W	HML1WGND
Wireguard for HML1 450W	HML1WGNT



Mounting Accessory Kits

Aircraft Cable Kit (10ft)	ACMK110
Pendant Kit for 100-450W	HML1100-150PEND
Surface Mount Kit for 100-450W	HML1100-150SURFACE

Pendant and surface mount kits compatible to all HML models, 100W-450W



Emergency Battery Accessories

8W Battery Pack (120-347V)	HML1EM08WRVWH
18W Battery Pack (120-347V)	HML1EM18WRVWH
25W Battery Pack (120-347V)	HML1EM25WRVWH
40W Battery Pack (120-347V)	HML1EM40WRVWH

• For installation in the field by the end user

• 8W is for 100W version only

• 18W for 100-150W versions only

• 25W is for 210W version only

• 40W is for 300-450W versions only

• End user is responsible for proper selection of battery pack to meet NFPA requirements

Emergency not available on HV fixtures



Plug Accessories

15A 125V Straight Bladed Plug	515P
15A 125V Twist Lock Plug	L515P
15A 250V Twist Lock Plug	L615P
15A 277V Twist Lock Plug	L715P
20A 277V Twist Lock Plug	L720P
20A 347V Twist Lock Plug	L2320P
20A 480V Twist Lock Plug	L820P

Plugs not available for C4 (4-wire cord) or F (flex conduit) options

HML1

LED High-Performance High Bay

Performance Data

Standard Distribution			
Model Number	Lumens	Watts	Lumens/Watt
HML1100U40A	14200	101	141
HML1100U50A	14284		141
HML1130U40A	18138	129	141
HML1130U50A	18228		141
HML1150U40A	20574	147	140
HML1150U50A	20675		141
HML1210U40A	29258	209	140
HML1210U50A	29412		141
HML1300U40A	42055	305	137
HML1300U50A	42266		138
HML1450U40A	66516	459	144
HML1450U50A	66850		145

Wide Distribution			
Model Number	Lumens	Watts	Lumens/Watt
HML1100U40B	14200	101	141
HML1100U50B	14284		141
HML1130U40B	18138	129	141
HML1130U50B	18228		141
HML1150U40B	20574	147	140
HML1150U50B	20675		141
HML1210U40B	29258	209	140
HML1210U50B	29412		141
HML1300U40B	42055	305	137
HML1300U50B	42266		138
HML1450U40B	66516	459	144
HML1450U50B	66850		145

Aisle Distribution			
Model Number	Lumens	Watts	Lumens/Watt
HML1150U40C	19134	147	130
HML1150U50C	19228		131
HML1210U40C	27204	209	130
HML1210U50C	27338		131
HML1300U40C	39251	305	131
HML1300U50C	39307		131
HML1450U40C	61860	459	134
HML1450U50C	62171		135

Emergency Operation Lumens				
Model Number	8W	18W	25W	40W
HML1100U40A	1128	2538	X	X
HML1100U50A	1128	2538	X	X
HML1130U40A	X	2538	X	X
HML1130U50A	X	2538	X	X
HML1150U40A	X	2520	X	X
HML1150U50A	X	2538	X	X
HML1210U40A	X	X	3500	X
HML1210U50A	X	X	3525	X
HML1300U40A	X	X	X	5480
HML1300U50A	X	X	X	5520
HML1450U40A	X	X	X	5760
HML1450U50A	X	X	X	5800

Emergency Operation Lumens				
Model Number	8W	18W	25W	40W
HML1100U40B	1128	2538	X	X
HML1100U50B	1128	2538	X	X
HML1130U40B	X	2538	X	X
HML1130U50B	X	2538	X	X
HML1150U40B	X	2520	X	X
HML1150U50B	X	2538	X	X
HML1210U40B	X	X	3500	X
HML1210U50B	X	X	3525	X
HML1300U40B	X	X	X	5480
HML1300U50B	X	X	X	5520
HML1450U40B	X	X	X	5760
HML1450U50B	X	X	X	5800

Emergency Operation Lumens			
Model Number	18W	25W	40W
HML1150U40C	2340	X	X
HML1150U50C	2358	X	X
HML1210U40C	X	3250	X
HML1210U50C	X	3275	X
HML1300U40C	X	X	5240
HML1300U50C	X	X	5240
HML1450U40C	X	X	5360
HML1450U50C	X	X	5400

Fixture tested per LM-79-08. Photometric data is of the performance of a representative fixture. Results may vary in the field.

HML1

LED High-Performance High Bay

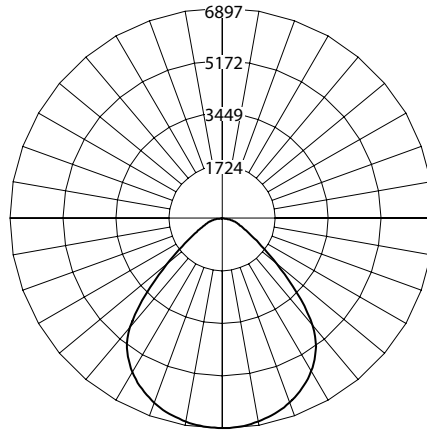
Photometric Data

100W 5000K

Input Voltage (VAC)	120-277
System Level Power (W)	101.0
Delivered Lumens (Lm)	14284
System Efficacy (Lm/W)	141.4
Correlated Color Temp (K)	5000
Color Rendering Index (CRI)	86
Beam Angle (0)	89.1
Beam Angle (90)	90.6
Spacing Criteria (0)	1.26
Spacing Criteria (90)	1.26

CCT Data Multiplier

4000K	0.995
-------	-------



Cone of Light Tabulation

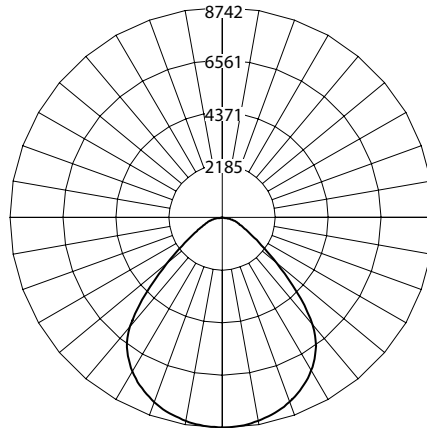
Mounted height (Feet)	Footcandles Beam Center	Diameter (Feet)
15	30.0	29.5
17	23.4	33.5
20	16.9	39.4
23	12.8	45.3

130W 5000K

Input Voltage (VAC)	120-277
System Level Power (W)	129
Delivered Lumens (Lm)	18228
System Efficacy (Lm/W)	141.3
Correlated Color Temp (K)	5000
Color Rendering Index (CRI)	86
Beam Angle (0)	89.0
Beam Angle (90)	90.6
Spacing Criteria (0)	1.26
Spacing Criteria (90)	1.26

CCT Data Multiplier

4000K	0.995
-------	-------



Cone of Light Tabulation

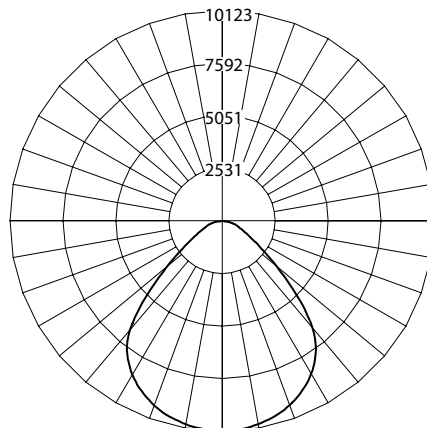
Mounted height (Feet)	Footcandles Beam Center	Diameter (Feet)
15	38.4	29.5
17	30.0	33.5
20	21.7	39.4
23	16.4	45.3
25	13.8	49.2

150W 5000K

Input Voltage (VAC)	120-277	277-480
System Level Power (W)	147	147
Delivered Lumens (Lm)	20675	20664
System Efficacy (Lm/W)	140.6	140.6
Correlated Color Temp (K)	5000	
Color Rendering Index (CRI)	86	
Beam Angle (0)	88.9	
Beam Angle (90)	90.6	
Spacing Criteria (0)	1.26	
Spacing Criteria (90)	1.26	

CCT Data Multiplier

4000K	0.995
-------	-------



Cone of Light Tabulation

Mounted height (Feet)	Footcandles Beam Center	Diameter (Feet)
15	43.7	29.5
17	34.1	33.5
20	24.6	39.4
23	18.6	45.3
25	15.7	49.2
28	12.5	55.1

Fixture tested per LM-79-08. Photometric data is of the performance of a representative fixture. Results may vary in the field.

HML1

LED High-Performance High Bay

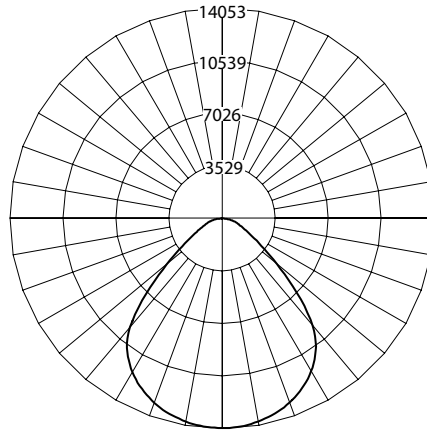
Photometric Data

210W 5000K

Input Voltage (VAC)	120-277	277-480
System Level Power (W)	209	
Delivered Lumens (Lm)	29412	29396
System Efficacy (Lm/W)	141	141
Correlated Color Temp (K)	5000	
Color Rendering Index (CRI)	85	
Beam Angle (0)	88.7	
Beam Angle (90)	90.5	
Spacing Criteria (0)	1.28	
Spacing Criteria (90)	1.26	

CCT Data Multiplier

4000K	0.995
-------	-------



Cone of Light Tabulation

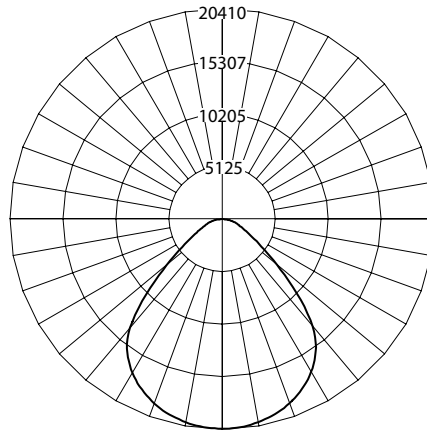
Mounted height (Feet)	Footcandles Beam Center	Diameter (Feet)
23	41.4	45.3
25	35.0	49.2
28	27.8	55.1
30	24.2	59.1
32	21.1	63.0

300W 5000K

Input Voltage (VAC)	120-277	277-480
System Level Power (W)	305	
Delivered Lumens (Lm)	42266	42243
System Efficacy (Lm/W)	139	139
Correlated Color Temp (K)	5000	
Color Rendering Index (CRI)	86	
Beam Angle (0)	88.9	
Beam Angle (90)	90.6	
Spacing Criteria (0)	1.28	
Spacing Criteria (90)	1.26	

CCT Data Multiplier

4000K	0.995
-------	-------



Cone of Light Tabulation

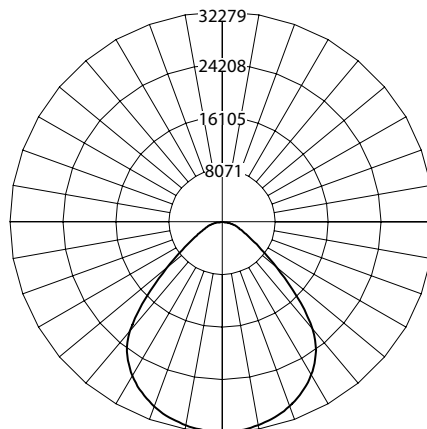
Mounted height (Feet)	Footcandles Beam Center	Diameter (Feet)
23	60.1	45.3
25	50.8	49.2
28	40.4	55.1
30	35.2	59.1
32	30.7	63.0

450W 5000K

Input Voltage (VAC)	120-277	277-480
System Level Power (W)	459	
Delivered Lumens (Lm)	66850	66783
System Efficacy (Lm/W)	145	145
Correlated Color Temp (K)	5000	
Color Rendering Index (CRI)	86	
Beam Angle (0)	88.9	
Beam Angle (90)	90.6	
Spacing Criteria (0)	1.28	
Spacing Criteria (90)	1.26	

CCT Data Multiplier

4000K	0.995
-------	-------



Cone of Light Tabulation

Mounted height (Feet)	Footcandles Beam Center	Diameter (Feet)
23	95.1	45.3
25	80.3	49.2
28	63.9	55.1
30	55.7	59.1
32	48.6	63.0

Fixture tested per LM-79-08. Photometric data is of the performance of a representative fixture. Results may vary in the field.

HML1

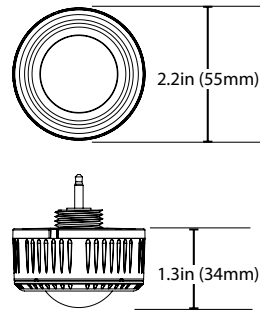
LED High-Performance High Bay

Sensors and Dimmers

H12V PIR Low Voltage Motion Sensor

See the individual spec sheet for further information

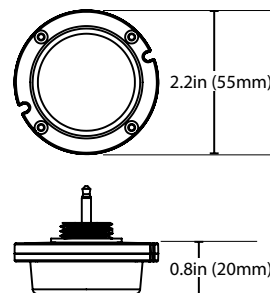
- Field installed 12VDC sensor
- Infrared motion detector with built in daylight sensor
- Remote control programmable
- Highly configurable:
 - Detection area
 - Stand-by period
 - Hold time
 - Stand-by dimming
 - Dimming level
 - Daylight harvesting threshold
- Max mounting height: 40ft (12m)
- IP65 Rated



Microwave Low Voltage Motion Sensor

See the individual spec sheet for further information

- Field installed 12VDC sensor
- Microwave motion detector with built in daylight sensor
- Remote control programmable
- Highly configurable:
 - Detection area
 - Stand-by period
 - Hold time
 - Stand-by dimming
 - Dimming level
 - Daylight harvesting threshold
- Max mounting height: 40ft (12m)
- IP65 Rated



Remote Control for H12V Sensors

See the individual spec sheet for further information

- Allows programming of MW or PIR sensors
- Allows adjustment of:
 - Brightness
 - Stand-by dimming level
 - Hold time
 - Stand-by time
 - Sensor Sensitivity
 - Stand-by dimming
 - Daylight harvesting threshold



NLC Bluetooth PIR/Daylight Sensor

See the individual spec sheet for further information

- Field installed 12VDC sensor
- Infrared motion detector with built in daylight sensor
- Commissioned with NLC App
- Highly configurable:
 - Occupancy/Vacancy Detection
 - Full Range Dimming (0-10V)
 - Daylight Harvesting
 - Scene Control
 - High-End Trim
 - Full Networking
- Max mounting height: 40ft (12m)
- IP65 Rated



Recommended Dimmers*

Lutron NTSTV
Lutron DVSTV
Cooper SF10P
Legrand RH4FBL3PW

*Not a complete list. Check compatibility before installation.

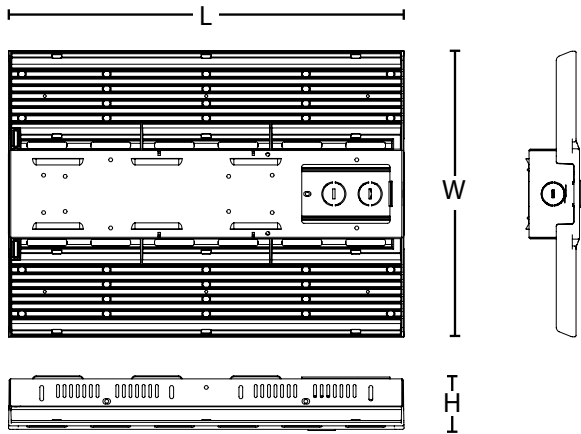
12VDC Output

On "S" (sensor socket) models, there is an additional 12VDC output on the driver. This output can be used to provide power to external low voltage sensors or controls. Do not use the 12VDC output if a sensor is installed in the socket.

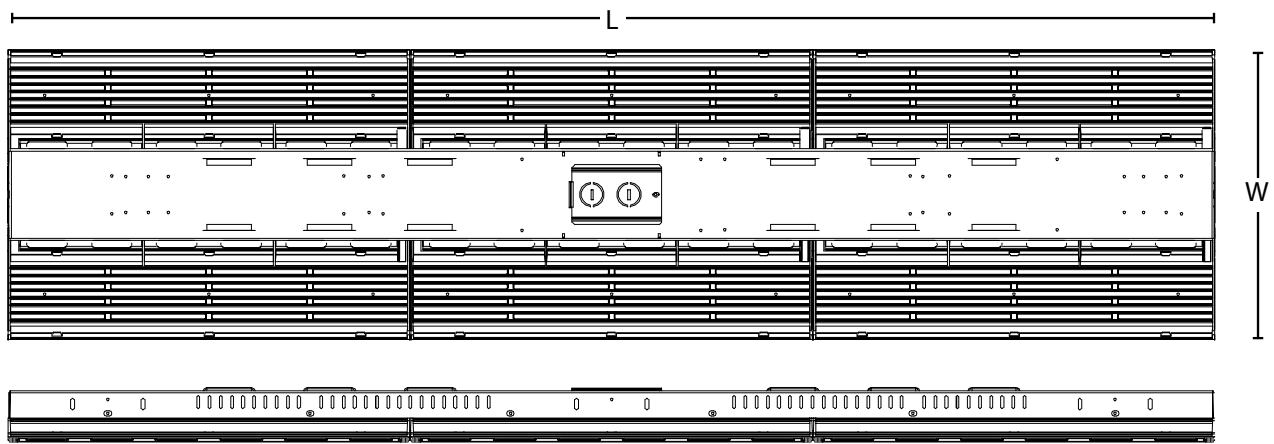
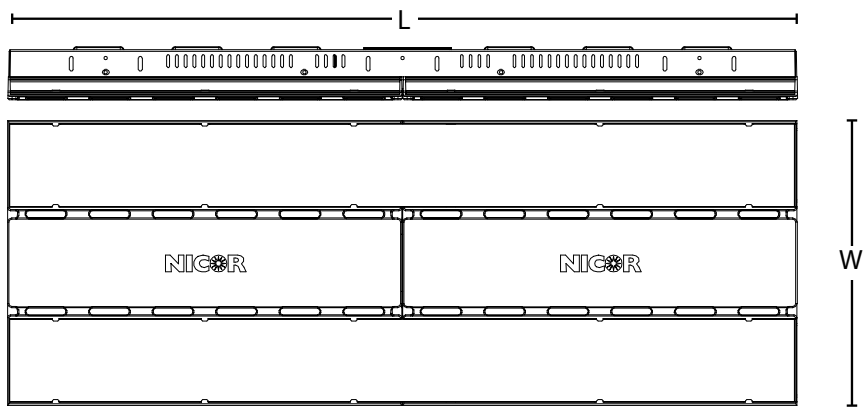
HML1

LED High-Performance High Bay

Dimensions



Product Measurements			
	100W-150W	210W, 300W	450W
Length:	14.1 in. (360mm)	28.3 in (720mm)	42.5 in. (1080mm)
Width:	10.1 in. (260mm)		
Height:	1.9 in. (49mm)		



This device complies with part 15 of the FCC Rules. Operation is subject to the following two conditions: (1) This device may not cause harmful interference, and (2) this device must accept any interference received, including interference that may cause undesired operation.

NOTE: This equipment has been tested and found to comply with the limits for a Class A digital device, pursuant to part 15 of the FCC Rules. These limits are designed to provide reasonable protection against harmful interference when the equipment is operated in a commercial environment. This equipment generates, uses, and can radiate radio frequency energy and, if not installed and used in accordance with the instruction manual, may cause harmful interference to radio communications. Operation of this equipment in a residential area is likely to cause harmful interference in which case the user will be required to correct the interference at his own expense.