

4

3

2

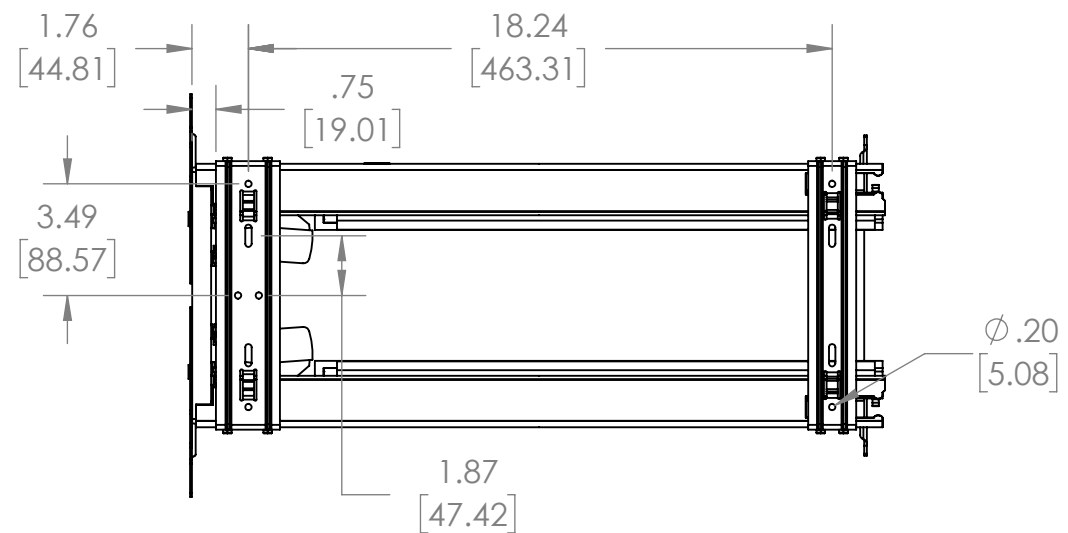
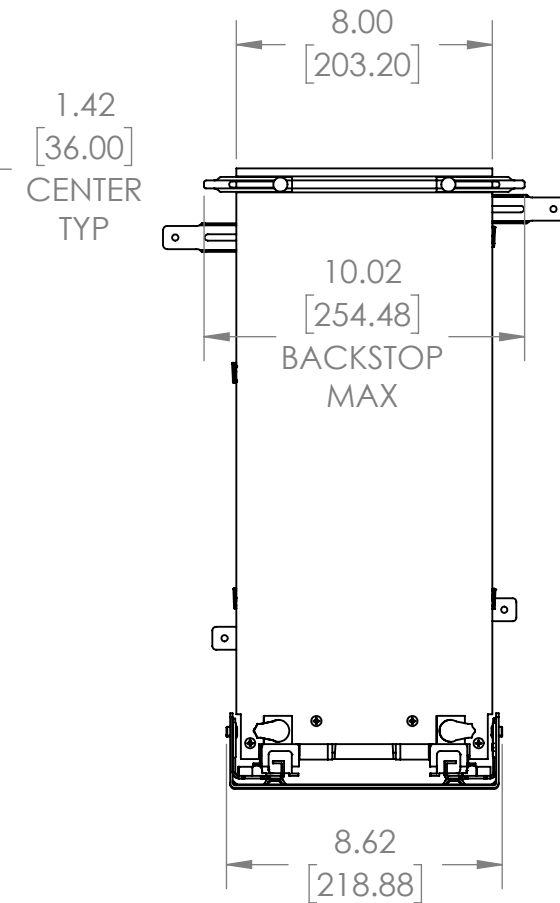
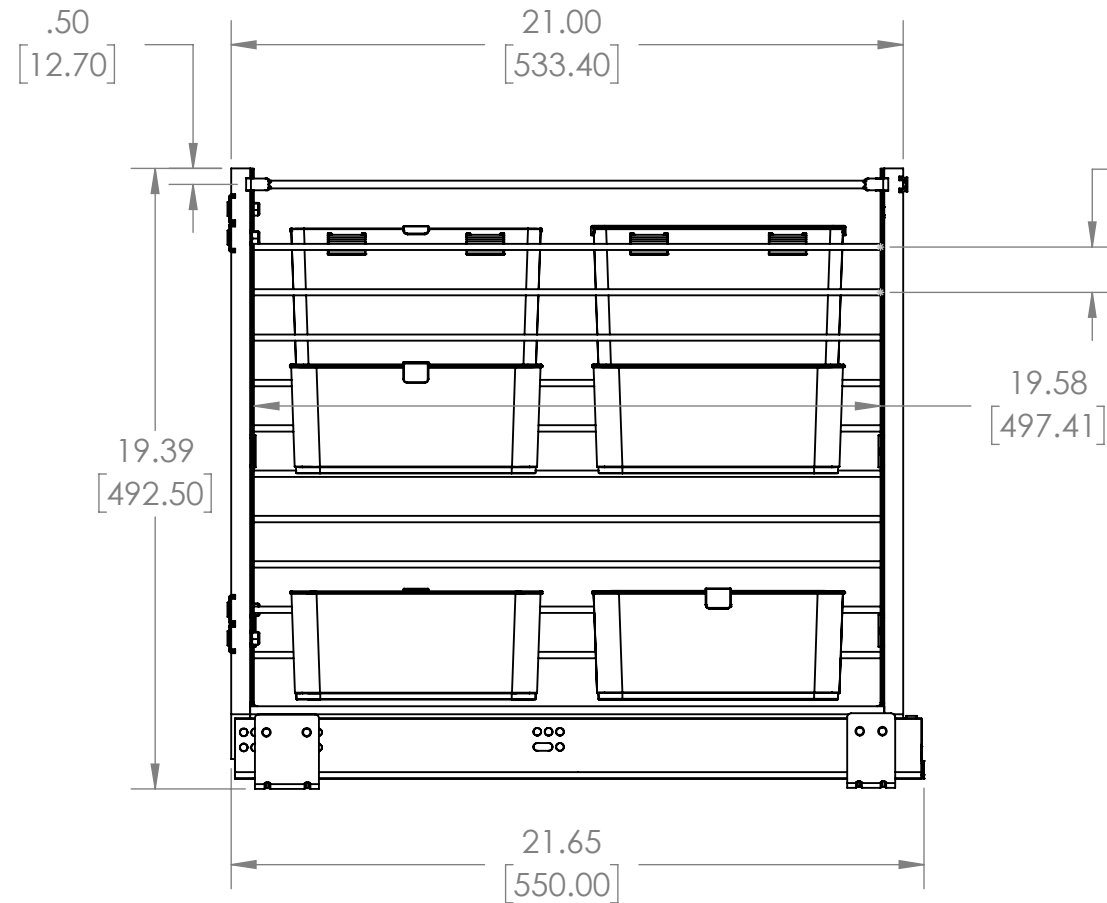
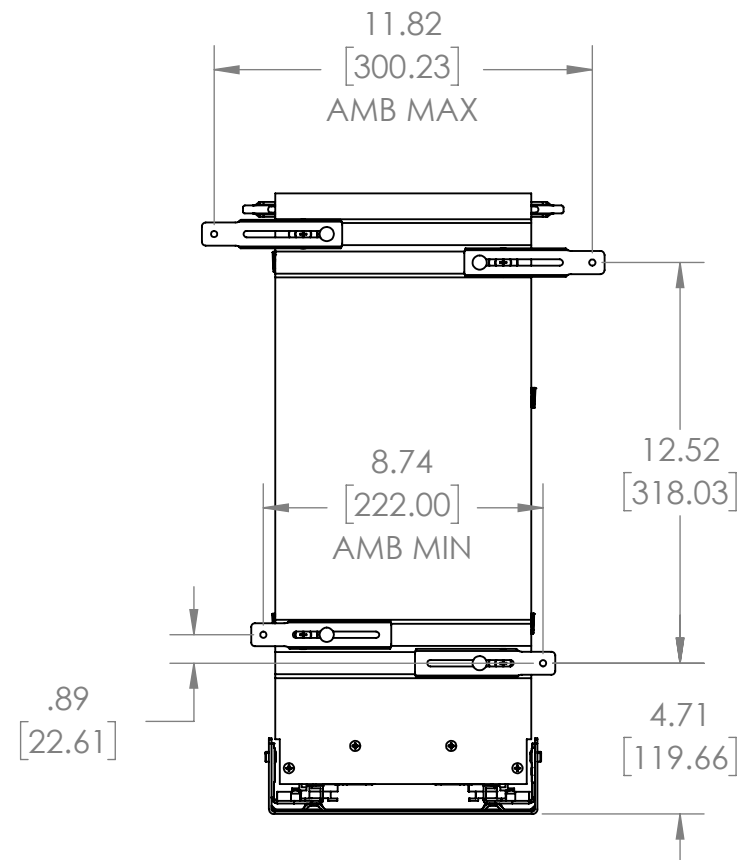
1

B

B

A

A



CUSTOMER DRAWING

UNLESS OTHERWISE SPECIFIED:		Description:	
TOLERANCES = INCH/(MM) MAT. DEC. (WOOD) .XX +/--.03 [.8mm] (OTHER) .XX +/--.02 [.5mm] (ALL) .XXX +/--.005 [.13 mm] FRACTIONS +/-1/32 [.8 mm] ANGLES +/-1/2°		8" MODULAR PULLOUT W/ UNDERMOUNT SLIDES	
First Angle Projection		PART NO. 444-BCSC-8C	
MATERIAL	FINISH	SIZE	DWG. NO.
DO NOT SCALE DRAWING	NAME	DATE	REV
DRAWN	LCS	7-14-23	SCALE: 1:6
WEIGHT:		SHEET 1 OF 2	



**PROPRIETARY AND CONFIDENTIAL**  
 This drawing is the property of Rev-A-Shelf LLC (RAS) and is disclosed in confidence to the extent its subject matter is original to RAS. Any vendor receiving this drawing from RAS shall hold and use this drawing for the sole benefit of RAS and shall not disclose it to, or use or reproduce it for any third party, or perform any act adverse to the interest of RAS with respect to this drawing without the express written permission of RAS. Vendors shall not revise any physical, dimensional or performance characteristic unless authorized by Rev-A-Shelf Engineering.

UNCONTROLLED IF PRINTED

REV	DATE	BY	DESCRIPTION OF CHANGE

4

3

2

1

4

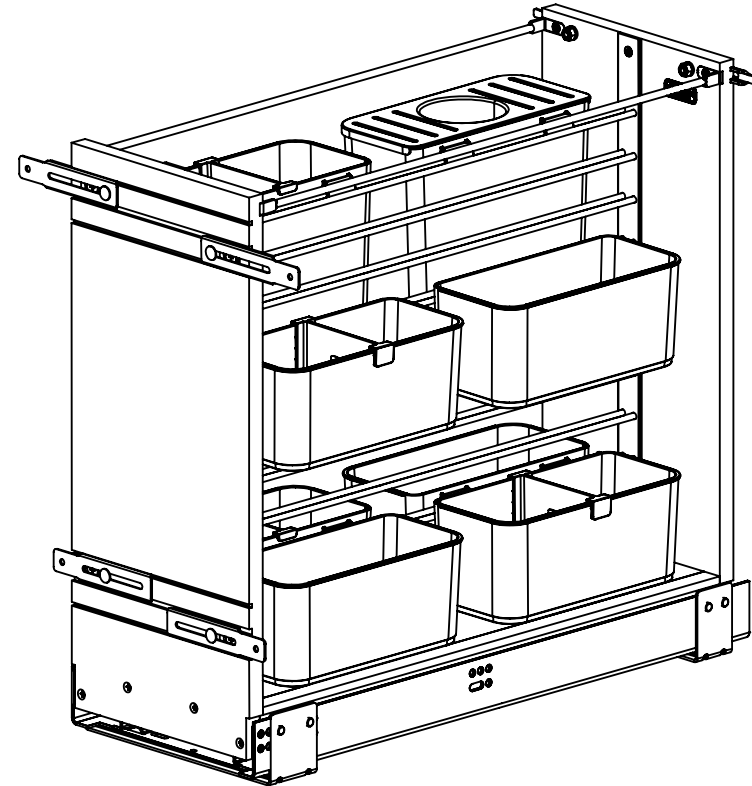
3

2

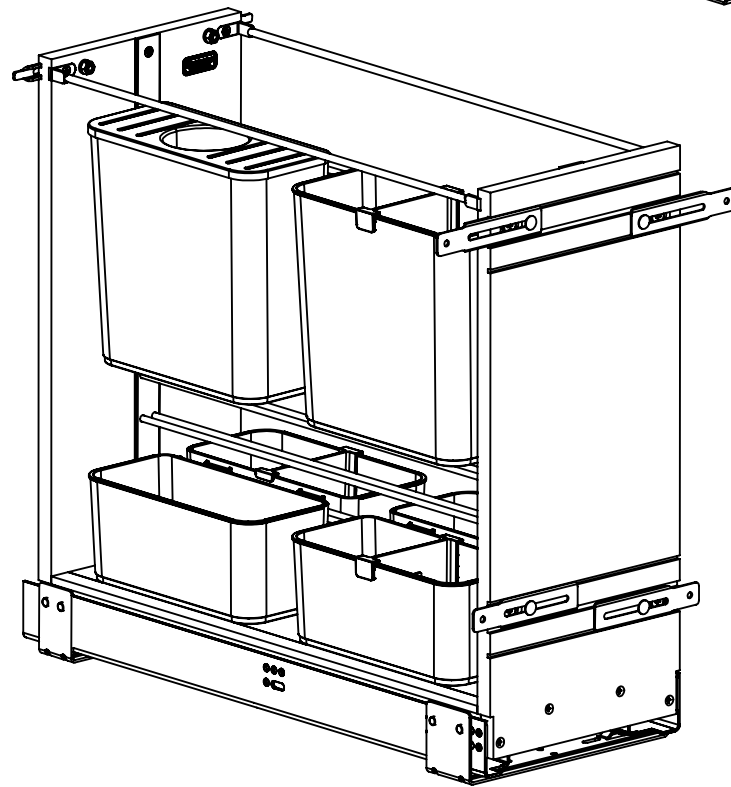
1

B

B



PART DIMENSIONS	
WIDTH	8.62 [218.88]
DEPTH	21.65 [550]
HEIGHT	19.39 [492.5]



MIN CABINET OPENING				
	FACE FRAME	FRAMELESS	INSET FACE FRAME	INSET FRAMELESS
WIDTH	9.00 [215.9]	9.00 [228.6]	9.00 [215.9]	9.00 [228.6]
DEPTH	21.65 [550]	21.65 [550]	22.40 [569]	22.40 [569]
HEIGHT *	19.63 [498.5]	19.63 [498.5]	19.63 [498.5]	19.63 [498.5]

\* MCO HEIGHT DEPENDENT ON BIN PLACEMENT AND UTENSILS USED

SLIDE SPECIFICATIONS				
SLIDE MANUFACTURER	BLUM			
SLIDE PART NO.	569H330B	RELEASE PART NO.	T51-1801	
SLIDE TYPE	UNDERMOUNT	SLIDE EXTENSION	FULL	MAX WEIGHT RATING
SLIDE CLOSING	SELF/SOFT	SLIDE LENGTH	21.65 [550]	
SLIDE MOUNTING	BOTTOM	SLIDE FINISH	ZINC	135 LB

CUSTOMER DRAWING

UNLESS OTHERWISE SPECIFIED:		Description:	
TOLERANCES = INCH/(MM) MAT. DEC. (WOOD) .XX +/- .03 [.8mm] (OTHER) .XX +/- .02 [.5mm] (ALL) .XXX +/- .005 [.13 mm] FRACTIONS +/- 1/32 [.8 mm] ANGLES +/- 1/2°		8" MODULAR PULLOUT W/ UNDERMOUNT SLIDES	
First Angle Projection		PART NO. 444-BCSC-8C	
MATERIAL	FINISH	SIZE	DWG. NO.
		<b>B</b>	444-BCSC-8C_CUST
DO NOT SCALE DRAWING	NAME	DATE	REV
DRAWN	LCS	7-14-23	
SCALE: 1:6		WEIGHT:	SHEET 2 OF 2



**PROPRIETARY AND CONFIDENTIAL**  
This drawing is the property of Rev-A-Shelf LLC (RAS) and is disclosed in confidence to the extent its subject matter is original to RAS. Any vendor receiving this drawing from RAS shall hold and use this drawing for the sole benefit of RAS and shall not disclose it to, or use or reproduce it for any third party, or perform any act adverse to the interest of RAS with respect to this drawing without the express written permission of RAS. Vendors shall not revise any physical, dimensional or performance characteristic unless authorized by Rev-A-Shelf Engineering.

**UNCONTROLLED IF PRINTED**

REV	DATE	BY	DESCRIPTION OF CHANGE

4

3

2

1

A

A