

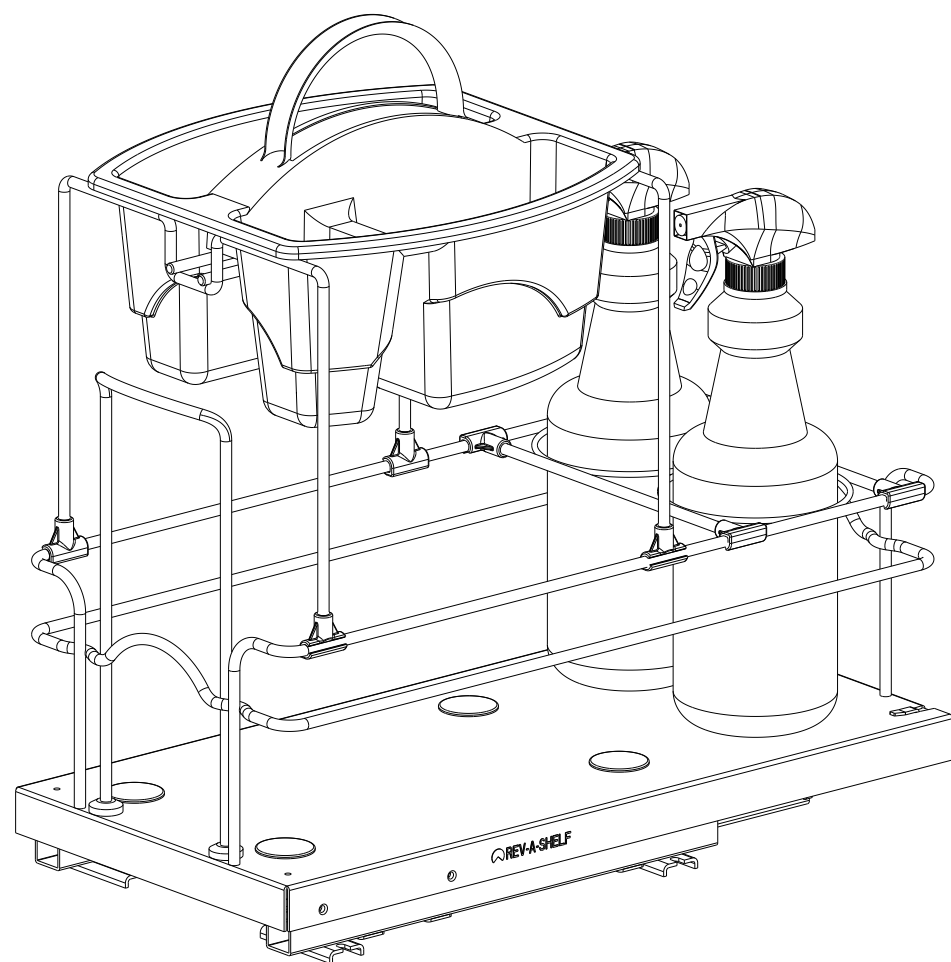
BOTTOM VIEW

CUSTOMER DRAWING

This drawing is the property of Rev-A-Shelf (RAS) and is disclosed in confidence to the extent its subject matter is original to RAS. Any vendor receiving this drawing from RAS shall hold and use this drawing for the sole benefit of RAS and shall not disclose it to, or use or reproduce it for any third party, or perform any act adverse to the interest of RAS with respect to this drawing without the express written permission of RAS. Vendors shall not revise any physical, dimensional or performance characteristic unless authorized by Rev-A-Shelf Engineering.

REV.	DATE	BY	DESCRIPTION OF CHANGE
A	9-27-23	KRR	ECN23-081

INCH [MM]	AMERICAN PROJECTION 	BY	DATE	REV-A-SHELF, INC. SIZE B	
		DRAWN	KRR 12-11-18		
TOLERANCES		MATERIAL	DRAWING NO.	SCALE	
MAT.	DEC.		FINISH	5CC-915S-XX-1	0.250
(WOOD) .XX ±.03 [.8mm]	(OTHER) .XX ±.02 [.5mm]			PART NO.	SHEET OF
(ALL) .XXX ±.005 [.13 mm]	FRACTIONS ±1/32 [.8 mm]		5CC-915S-XX-1	1 2	



PART DIMENSIONS		
	MIN	MAX
WIDTH	9.25	
DEPTH	18.60	
HEIGHT	18.58	
CONTAINER CAPACITY		
CONTAINER UOM		

MIN CABINET OPENING				
	FACE FRAME	FRAMELESS	INSET FACE FRAME	INSET FRAMELESS
WIDTH	9.50	9.50	9.50	9.50
DEPTH	19.00	19.00	19.75	19.75
HEIGHT	19.00	19.00	19.00	19.00

SLIDE SPECIFICATIONS				
SLIDE MANUFACTURER				
SLIDE PART NUMBER		RELEASE PART NUMBER		
SLIDE TYPE	PROGRESSIVE ROLLER	SLIDE EXTENSION	FULL	MAX WEIGHT RATING
SLIDE CLOSING	SELF / SOFT	SLIDE LENGTH	450MM (17.72")	
SLIDE MOUNTING	BOTTOM	SLIDE FINISH	ZINC	85LB

CUSTOMER DRAWING

This drawing is the property of Rev-A-Shelf (RAS) and is disclosed in confidence to the extent its subject matter is original to RAS. Any vendor receiving this drawing from RAS shall hold and use this drawing for the sole benefit of RAS and shall not disclose it to, or use or reproduce it for any third party, or perform any act adverse to the interest of RAS with respect to this drawing without the express written permission of RAS. Vendors shall not revise any physical, dimensional or performance characteristic unless authorized by Rev-A-Shelf Engineering.

REV.	DATE	BY	DESCRIPTION OF CHANGE
A	9-27-23	KRR	ECN23-081

INCH [MM]	AMERICAN PROJECTION	DRAWN	BY	DATE	REV-A-SHELF, INC.
			KRR	12-11-18	
					SIZE
					B
					SINK BASE CADDY HOLDER
			MATERIAL	DRAWING NO.	SCALE
			FINISH	5CC-915S-XX-1	0.250
				PART NO.	SHEET OF
				5CC-915S-XX-1	2 OF 2

TOLERANCES  
 MAT. DEC.  
 (WOOD) .XX ±.03 [.8mm]  
 (OTHER) .XX ±.02 [.5mm]  
 (ALL) .XXX ±.005 [.13 mm]  
 FRACTIONS ±1/32 [.8 mm]

ANGLES ±1/2°