

NLCPC1

20A Zone Controller

Product Description

The NLCPC1 Bluetooth zone controller is designed to efficiently manage higher capacity loads with its 20A relay. Featuring a 0-10V push-in port, it enables dimming control for up to 48.5mA sinking current. This controller supports switching for up to 20A plug loads and 1HP motor loads, providing versatile control options. Installation is convenient, as the NLCPC1 can be securely attached to any 1/2-inch knockout using the included threaded nut. Setup and commissioning are streamlined with the NICOR NLC mobile app (iOS and Android).

Construction

- Made of fire retardant plastic (UL 94-5VA)
- IP20

Network Technology

- Bluetooth Low Energy (BLE) 4.2 / 5.0 with mesh networking
- Bluetooth range: up to 100 ft (line of sight)
- Commissioned via NICOR NLC app (iOS and Android compatible)
- UL1376 Cyber Security Certification

Electrical

- Input voltage: 120-277V AC, 50/60Hz
- Input current: 20A Max. Allows sink current of 48.5mA on 0-10V dimmers
- Input power:
 - 2400W Max @120V
 - 5540W Max @277V
- Output Voltage: 120-277V AC
- Output current: 20A Max
- Output power:
 - 2400W Max @120V
 - 5540W Max @277V
- Operating temperature rating: -40°F to 131°F (-40°C to 55°C)
- Operating humidity: 0 - 80%
- 1HP motor load rated

Listings

- cULus Listed LED Controller
- DLC NLC5 listed
- UL8750
- UL2043 suitable for use in air plenum
- RoHS compliant

Warranty

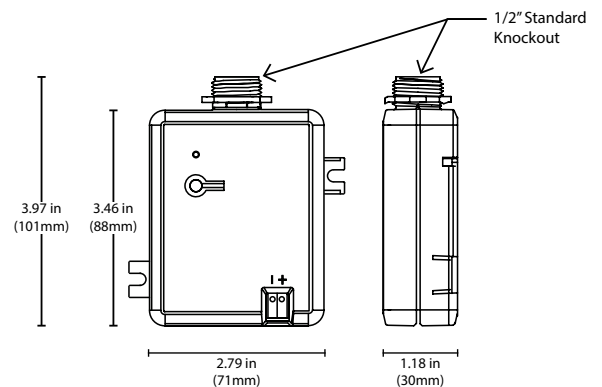
- 5-year limited system warranty standard
- Warranty does not cover product failure due to an overvoltage event (power surge)

Project

Catalog

Type

Date



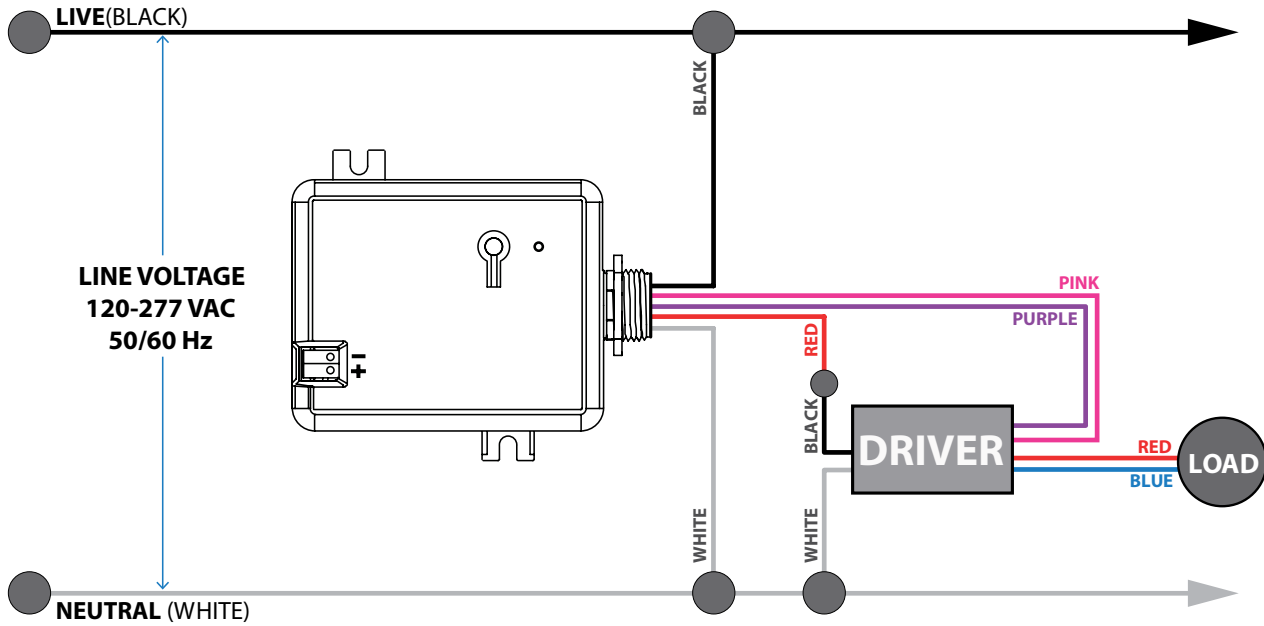
Ordering Information

Example: NLCPC1

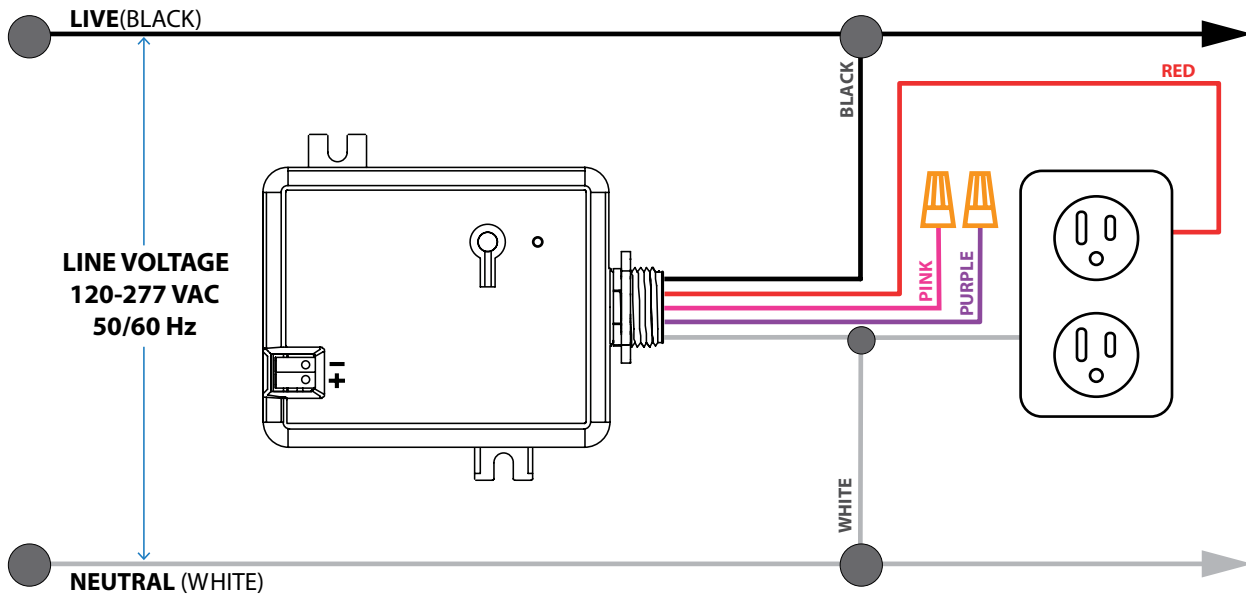
Series	Product	Type	Version
NLC	P (Power Pack)	C (Control Relay)	1

Specifications and dimensions subject to change without notice.

Fixture Wiring Diagram



Electrical Outlet Wiring Diagram



This device complies with part 15 of the FCC Rules. Operation is subject to the following two conditions: (1) This device may not cause harmful interference, and (2) this device must accept any interference received, including interference that may cause undesired operation.

NOTE: This equipment has been tested and found to comply with the limits for a Class B digital device, pursuant to part 15 of the FCC Rules. These limits are designed to provide reasonable protection against harmful interference in a residential installation. This equipment generates, uses and can radiate radio frequency energy and, if not installed and used in accordance with the instructions, may cause harmful interference to radio communications. However, there is no guarantee that interference will not occur in a particular installation. If this equipment does cause harmful interference to radio or television reception, which can be determined by turning the equipment off and on, the user is encouraged to try to correct the interference by one or more of the following measures:

- Reorient or relocate the receiving antenna.
- Increase the separation between the equipment and receiver.
- Connect the equipment into an outlet on a circuit different from that to which the receiver is connected.
- Consult the dealer or an experienced radio/TV technician for help.