



BAXTER CONSOLE TABLE

Thank you for choosing this quality product. Be sure to check all packaging materials carefully for small parts that may have loosened inside the carton during shipment and place on a non-abrasive surface.

IMPORTANT

These parts can be cumbersome and heavy to some people, therefore, the assistance of two or more people are recommended in order to prevent personal injury and ensure the furniture is not damaged during the assembly Process.

PART LIST

- A. [1] TABLETOP
- B. [2] TABLELEGS
- C. [1] SHELF

INSTRUCTIONS

1. Lay the back of the Table top (A) onto a soft flat surface. Attach the Table leg (B) to the bottom of the Table top. Align the Table leg into groove on the bottom of the Table top. Install the bolts (1) through to the holes on the top of Table leg by Allen wrench (3). **DO NOT OVERTIGHTEN.** Repeat this step for another Table leg (B). See **FIGURE 01A & 01B.**

HARDWARE LIST

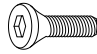
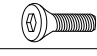


NO	DESCRIPTION	QTY
1	 ALLEN BOLT M8X25MM	8
2	 ALLEN BOLT M6X15MM	4
3	 ALLEN WRENCH	1
4	 FELT PAD	4

FIGURE 01-A

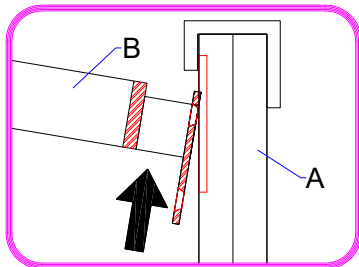
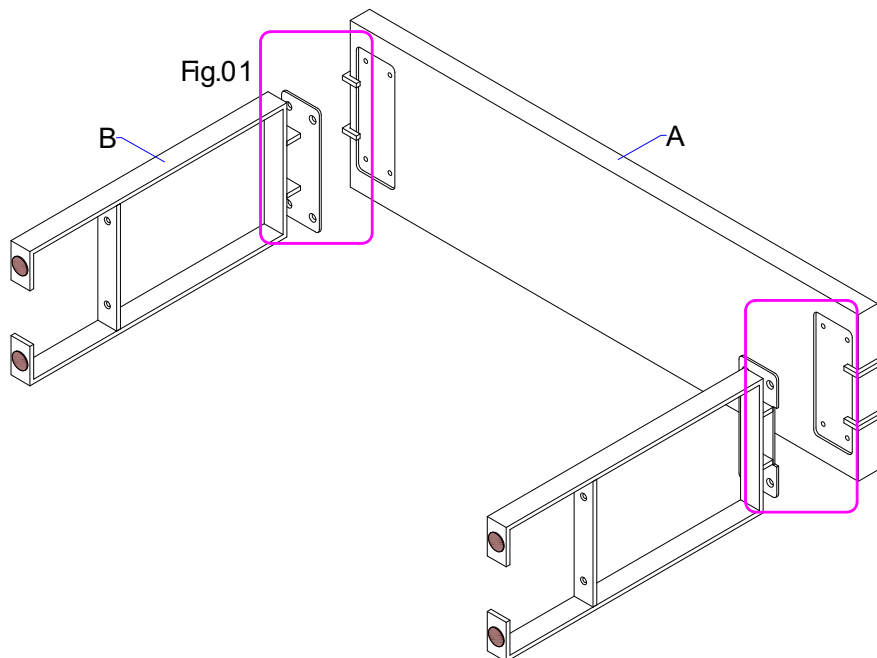
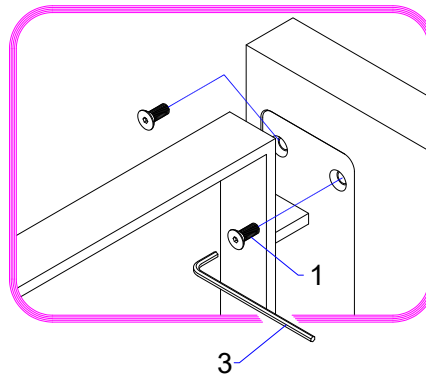


FIGURE 01-B



2. Lay the back of the Shelf (C) and push it through to the Table legs. Align the fixed nut on the bottom of the Shelf into pre-drilled holes on the horizontal bar of Table leg. Install the bolts (2) through to the holes on the horizontal bar of Table leg into the fixed nut on the bottom of the Shelf by Allen wrench (3). **DO NOT OVER TIGHTEN.** See FIGURE 02.
3. After assembly re-tighten all bolts to snug fit. **DO NOT OVER TIGHTEN.** Lay the Table upright. Apply glue on the felt pads (4) then stick them underneath the legs of Table.
4. Bring the Table to the desired position and set Tip-Kit.

FIGURE 02

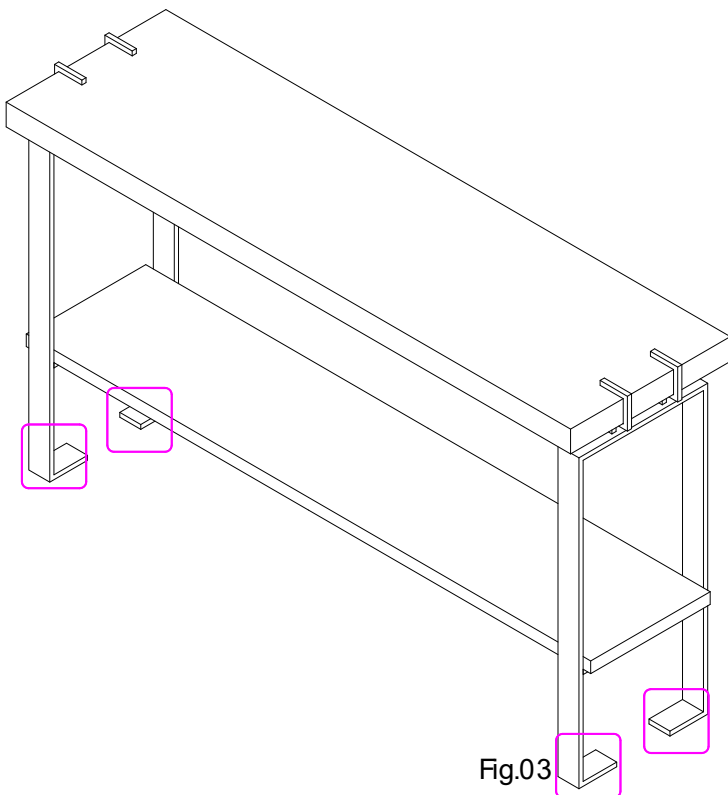
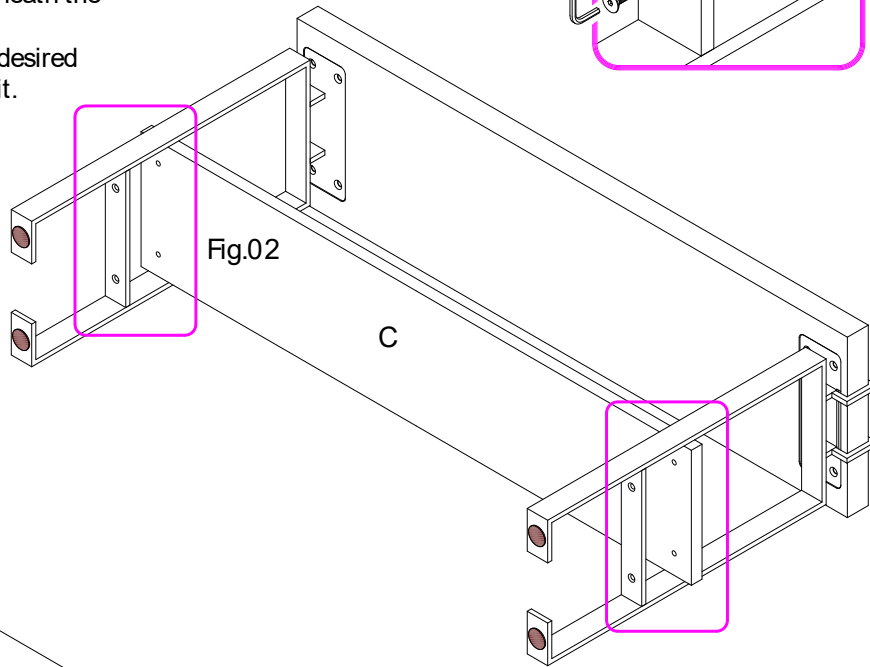
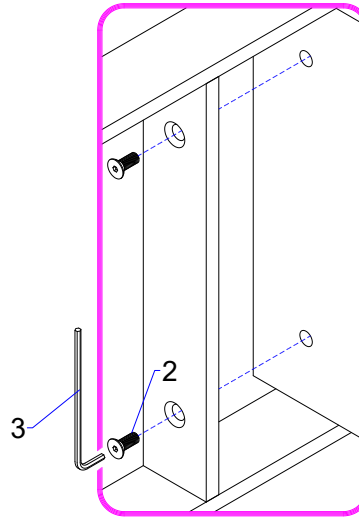
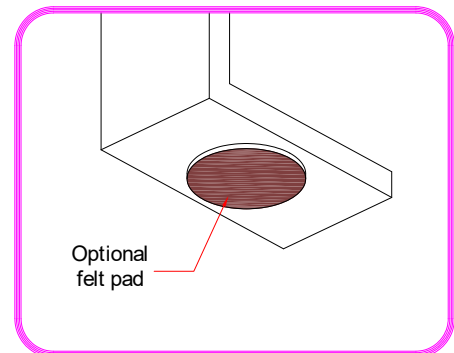


FIGURE 03




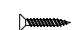



FURNITURE TIPPING RESTRAINT INSTRUCTIONS

Young children may be injured by tipping furniture and the use of a tipping restraint is highly recommended.

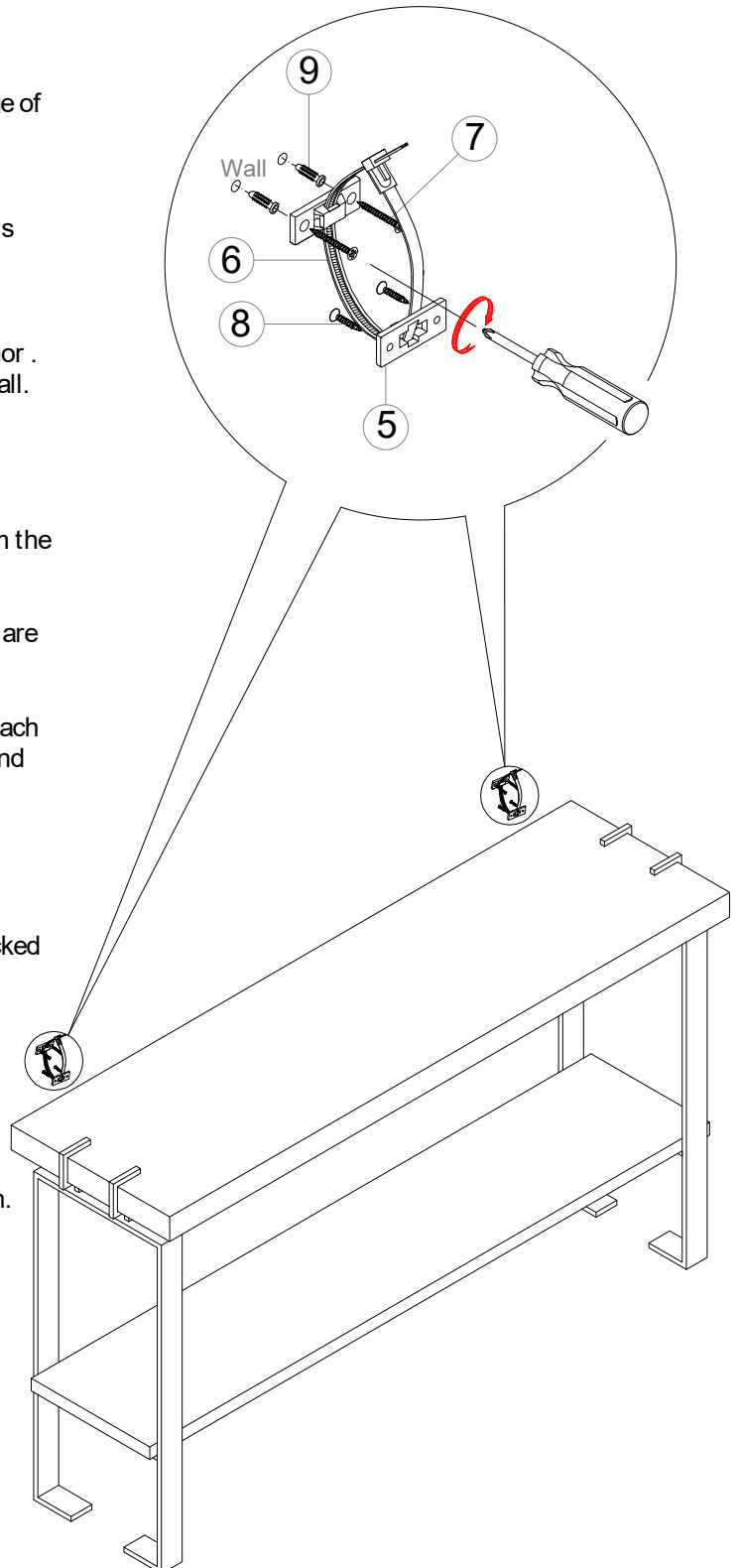
When properly installed, this restraint could provide protection against the unexpected tipping of furniture due to small tremors, bumps or climbing. We recommend mounting this restraint to a wall stud.

WARNING: This product is only a deterrent. It is not a substitute for proper adult supervision.

NO	DESCRIPTION	QTY
5	 PLASTIC BRACKET	4
6	 RESTRAINT STRAP	2
7	 PHILLIPS SCREWS (M4 x 30)	4
8	 PHILLIPS SCREWS (M4 x 20)	4
9	 PLASTIC ANCHOR	4

INSTALLATION INSTRUCTION

1. Attach two of the Plastic Brackets near the top back edge of the furniture piece by inserting the shorter screws.
2. Determine the final position of the furniture piece. Mark locations on the wall approximately 2" below the brackets mounted to the back of the furniture.
3. Drill a shorter hole into the wall stud. If wall stud is not available, drill a hole into the wall and insert Plastic Anchor. Gently tap the Anchor until the flange is flush with the wall.
4. Attach the second set of brackets by inserting the longer screw through the bracket and into the wall.
5. Carefully move the chest backward within 1.5" to 2" from the wall.
6. Place the furniture so that the brackets on the back edge are in line with the brackets in the wall.
7. Lace one end of the nylon restraint strap down through each bracket. Bring both ends together and slide the beaded end until it snap locks into the keyhole slot.
8. To double lock; return the beaded end back through the keyholes.
9. Check to make sure the straps are securely laced and locked to the brackets.



CARE INSTRUCTIONS:

- Dust often using a clean, soft, dry lint-free cloth.
- Blot spills immediately and wipe with a clean, damp, cloth.
- We do not recommend the use of chemical cleansers, abrasives, or furniture polish on our lacquered finish.

Thank you for your purchase