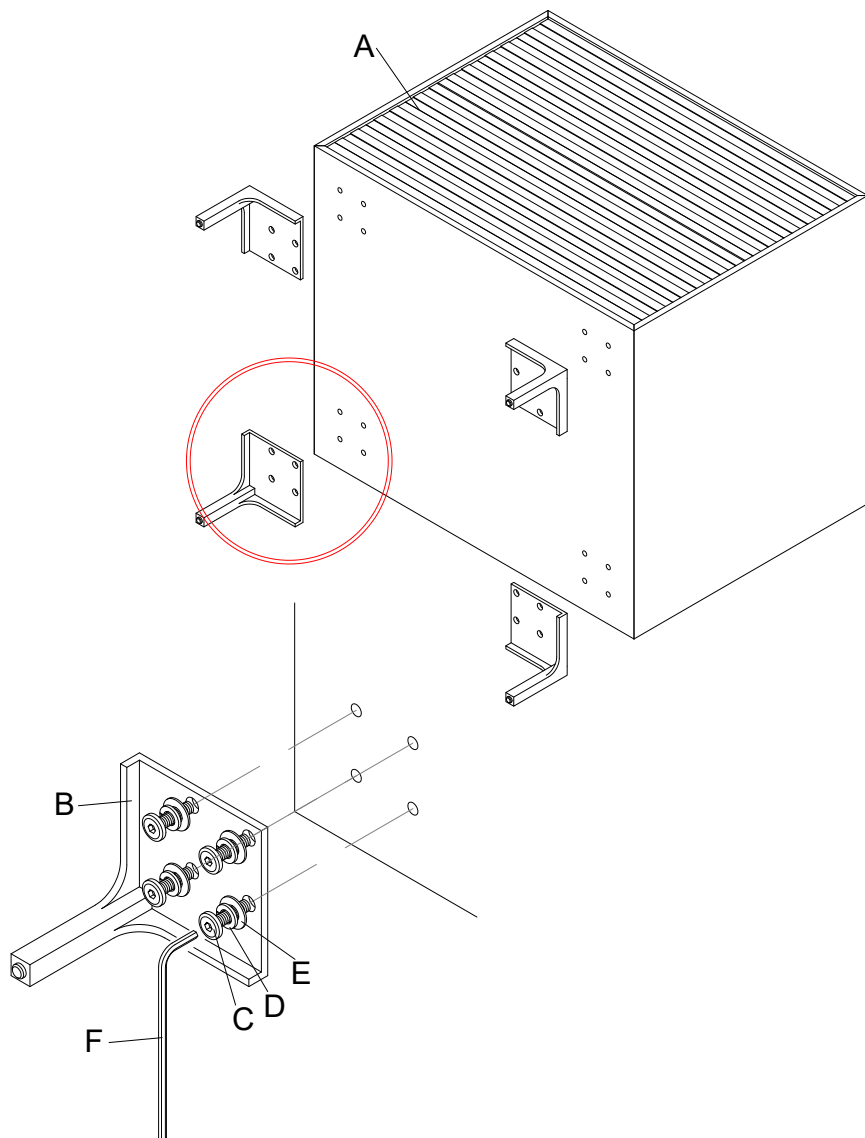


1



A		1
B		4
C	 M8 x 25MM	16
D		16
E		16
F		1

2

