

# Albeo® ABC Series

## LED High Bay Luminaire



CUSTOMER NAME \_\_\_\_\_

Project Name \_\_\_\_\_

Date \_\_\_\_\_ Type \_\_\_\_\_

Catalog Number \_\_\_\_\_

The Albeo® ABC LED Series Luminaire is an exceptional mixture of value and performance. Ideal for high bay applications in industrial and commercial buildings. Designed to replace 175W-450W HID and four-to eight-lamp T5/T8 fixtures with unmatched reliability and quality.

### CONSTRUCTION

<b>Housing:</b>	Steel
<b>Lens:</b>	Polycarbonate diffused
<b>Reflector:</b>	White highly reflective polycarbonate
<b>Paint:</b>	Powder coat painted housing, no glass in housing or lenses
<b>Weight:</b>	6lbs (2.7kg)

### PERFORMANCE

<b>Distribution:</b>	120°, 90° with open optic 120°, 90° with diffused lens
<b>Lumens:</b>	10,000 – 24,000 lumens
<b>Efficacy:</b>	143 - 160 LPW typical
<b>CCT:</b>	4000K, 5000K
<b>CRI:</b>	70 & 80 CRI

### ELECTRICAL

<b>Input Voltage:</b>	120-277V, 347V, or 480V
<b>Input Frequency:</b>	50/60 Hz
<b>LED Driver Type:</b>	Designed to exceed 100,000 hrs of operation at worst possible rated conditions
<b>Power Factor (PF)*:</b>	>0.9*
<b>Total Harmonic Distortion (THD)*:</b>	<20%*
<b>Surge Protection:</b>	Tested per ANSI C136.2-2015 6kV surge protection, standard for most SKUs 3kV surge protection, Lumen Output '10' & '12'
<b>EMI:</b>	FCC CFR Title 47 Part 15, Class A

\* PF and THD may vary with options

### CONTROLS

<b>Dimming:</b>	0-10V, 10% dimming
<b>Controls:</b>	0-10V standard, optional motion & daylight sensor

### LUMEN AMBIENT TEMPERATURE

TYPE	TEMPERATURE RATE
<b>OPERATING TEMPERATURE</b>	-30°C to +50°C (-22°F to 122°F) - 18,000lms and below -30°C to +45°C (-22°F to 113°F) for 24,000lms
<b>STORAGE TEMPERATURE</b>	-40°C to +70°C (-40°F to 158°F)

### LUMEN MAINTENANCE

<b>LXX(10K) @ Hours</b>	100,000 HR
<b>L70</b>	

### MOUNTING

- **Typical Mounting:** Standard Rod/ Chain / Cable mount ready. Surface and Pendant mount optional.
- **Standard** = knockout access (no cord, no plug)  
6ft, 12ft, 15ft, 20ft Cord options  
15A, 20A, Straight or twist lock plug

### DESIGN LIFE & WARRANTY

- **Reliability Testing:** Fixture components designed to exceed 100,000 hrs of operation at the worst possible rated conditions. Complete system evaluated at extreme conditions and monitored during production.
- Please refer to the DLC QPL website for the latest and most complete information: <http://www.designlights.org/QPL>
- UL/cUL Listed
- Current's Limited 5-year Warranty:  
Please refer to document **IND599** for more information.



# Albeo® ABC Series

LED High Bay Luminaire

Catalog Logic and Accessories

## CUSTOMER NAME

Project Name \_\_\_\_\_

Date \_\_\_\_\_ Type \_\_\_\_\_

Catalog Number \_\_\_\_\_

## Ordering Information

ABC1

W

PRODUCT ID	VOLTAGE	LUMEN OUTPUT	LED COLOR TEMP	OPTICS/LENS	CONTROLS	MOUNTING	CORD	PLUG	FINISH	OPTIONS
ABC = ABC Albeo Highbay ABC 1st Gen	0 = 120-277 1 = 120" 4 = 277" D = 347" 5 = 480"	10 = 10,000 12 = 12,000 18 = 18,000 24 = 24,000	70+ CRI 47 = 4000K 57 = 5000K  80+ CRI 48 = 4000K 58 = 5000K	Open Optic 1Q = 120° No Lens 9Q = 90° No Lens  Diffused Lens 1D = 120° Diffused Lens 9D = 90° Diffused Lens	QQ = Dimming leads not externally accessible QV <sup>2</sup> = 0-10V Dimming  <u>Daintree® Networked:</u> NA = Occupancy & Ambient Light Sensor, w/ Continuous Dimming (full feature) TQ <sup>3</sup> = Wireless Daintree® Enabled (no sensor)  <u>Daintree® EZ Connect<sup>4</sup>:</u> DF = Occupancy & Ambient light sensor w/ Continuous Dimming  <u>Daintree® One<sup>5</sup>:</u> FB = Occupancy & Ambient Light Sensor with Continuous Dimming  <u>Daintree® One Custom</u>  <u>Options<sup>5</sup>:</u> FF = Occupancy w/ Continuous Dimming FH = Occupancy On/Off FK = Ambient Light Sensor w/ Continuous Dimming FM <sup>6</sup> = Ambient Light Sensor On/Off  <u>3<sup>rd</sup> Party Options:</u> QA <sup>7</sup> = Occupancy Sensor On/Off 360° LSXR, No External Wiring QB <sup>7</sup> = Occupancy Sensor Continuous Dimming 360° LSXR QP <sup>7</sup> = Daylight Sensor w/ occupancy On/Off LSXR, No External Wiring, Full Featured 2Q <sup>8</sup> = Motion Sensor w/Daylight, High-Low Dimming FSP-211, and IR Remote Adjustable (IR remote sold separately to modify default settings) <sup>9</sup>	ST = Standard SM = Surface Mount 23 = 3/4" Pendant Mount Kit 41 = Y-Cable/Hook 5ft. 42 = Y-Cable/Hook 10ft. 43 = Y-Cable/Hook 15ft. 44 = Y-Cable/Hook 20ft	K = Knockout A = 6 ft. 18ga cord <sup>10</sup> B = 12 ft. 18ga cord <sup>10</sup> C = 15 ft. 18ga cord <sup>10</sup> D = 20 ft. 18ga cord <sup>10</sup>	Q = None A = 15A Straight Plug <sup>11</sup> B = 20A Straight Plug <sup>11</sup> C = 15A Twist Lock <sup>11</sup> D = 20A Twist Lock <sup>11</sup>	W = White Powder Coat	Blank = No Special Options 1PK = Single Pack



70 CRI @ 4000K OR 5000K CCT					
LUMEN PACKAGE	TYPICAL DELIVERED LUMENS	TYPICAL POWER		TYPICAL LPW 120-277V	MAX AMBIENT TEMP
		120-277V	347/480V		
10	9,900	62	64	160	50°C
12	12,000	78	79	154	50°C
18	18,000	126	124	143	50°C
24	23,600	161	159	147	45°C

Shown with "1Q" 120° No Lens Option  
De-rate 5°C for "SM" Surface Mount Option

### NOTES:

- Specify single voltage if plug or sensor needed. Controls not available at 208V or 240V.
- Contact factory if 5-conductor cord is needed
- T Wireless Control (no sensor) must use Discrete Voltage for all Lumen packages over 24,000Lm
- Ambient light detection functionality must be turned on in the Daintree EZ Connect app.
- Daintree One devices can be customized and programmed with WHR1 remote.
- 40ft (12m) height, WHR1 IR Remote 93131632
- 15-45ft (4.6-13.7m) mounting heights
- Sensors not compatible with 90T or 90H lumen code due to height limitation of sensor
- 2Q devices can be programmed with FSP remote (SHU# 93076263)
- 3-conductor cord. Dimming leads separate. Please contact factory if 5-conductor cord is needed.
- Specify discrete voltage for plug. Please see Voltage-Plug table for plug details and restrictions.

### NOTE:

- See WHS20 spec sheet for default program parameters and occupancy detection patterns.
- Daintree Wireless Controls can be upgraded over time for greater functionality.
  - WHR1 Remote PN: 93131632
  - Daintree EZ Connect App can be downloaded on the Apple® App Store.
  - 40ft (12m) mounting height.

# Albeo® ABC Series

## LED High Bay Luminaire

### Ordering Information

#### CUSTOMER NAME

Project Name \_\_\_\_\_

Date \_\_\_\_\_ Type \_\_\_\_\_

Catalog Number \_\_\_\_\_

EMERGENCY BATTERY BACKUP KIT ORDERED SEPARATELY		
SKU#	DESCRIPTION	LUMENS
93059499	ASM2430 50° beam	1750
93059500	ASM2429 120° beam	1650

NOTE: EMBB kit is only compatible with low voltage (120-277V)

VOLTAGE	NEMA Plug Type			
	A (15A STRAIGHT)	B (15A TWIST LOCK)	C (20A STRAIGHT)	20D (1A TWIST LOCK)
120	5-15P	L5-15P	5-20P	L5-20P
277	7-15P	L7-15P	7-20P	L7-20P
347	24-15P	N/A	24-20P	L24-20P
480	N/A	N/A	N/A	L8-20P

CRI	LUMENS	CCT	OUTPUT MULTIPLIER
70CRI	10/12K Lumens	5000K	100%
		4000K	100%
70CRI	18/24K Lumens	5000K	100%
		4000K	100%
80CRI	10/12K Lumens	5000K	94%
		4000K	92%
80CRI	18/24K Lumens	5000K	96%
		4000K	94%

OPTIC LENS CODE	OPTIC DESCRIPTION	OUTPUT MULTIPLIER
1Q	120° No Lens	100%
1D	120° Diffused Lens	91%
9Q	90° No Lens	96%
9D	90° Diffused Lens	87%

REPLACEMENT LENSES & OPTICS			
ORDERING SKU	ORDERING CAT # LOGIC	FUTURE CAT# LOGIC	DESCRIPTION
93124932	ABC1_D_KIT	1D or 9D	Diffused Lens Only (2 Lenses)
93137714	KIT0158_ABC1_DIFF_LENS_KIT_50PC	1D or 9D	Diffused Lens Only (Lenses for 25 Fixtures)
93137715	KIT0159_ABC1_DIFF_LENS_KIT_100PC	1D or 9D	Diffused Lens Only (Lenses for 50 Fixtures)
93137716	KIT0160_ABC1_DIFF_LENS_KIT_250PC	1D or 9D	Diffused Lens Only (Lenses for 125 Fixtures)
93134986	KIT0156_MLD_ABC1_COVER_REFL_90DEG_KIT	9D or 9Q	90 Degree Optic (1 Reflector plate/fixture)
93134885	KIT0155_MLD_ABC1_COVER_REFL_KIT	1D or 1Q	120 Degree Optic (1 Reflector plate/fixture)

# Albeo® ABC Series

LED High Bay Luminaire

## Dimensions

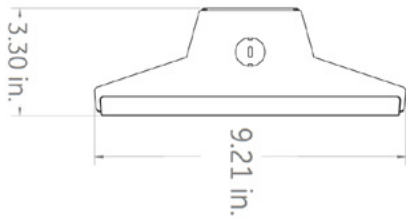
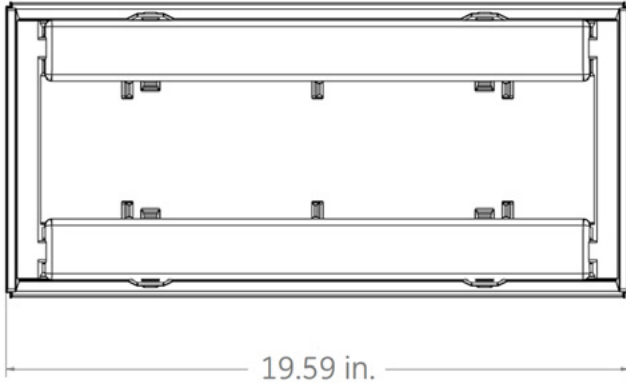
### CUSTOMER NAME

Project Name \_\_\_\_\_

Date \_\_\_\_\_ Type \_\_\_\_\_

Catalog Number \_\_\_\_\_

### ABC SERIES



Weight: 6 lbs

### PACKAGING

Standard pack is job pack / bulk pack consisting of up to 72 fixtures in 2, 16 cell dividers stacked on a 44" x 48" pallet. Two Fixtures are placed in each divided cell for quick unload at a job site. Orders of <14 fixtures are typically single pack. Single Pack (i.e. for stocking) – Special Option 1PK. Sensor and corded options can be bulk packed or single packed.

# Albeo<sup>®</sup> ABC Series

LED High Bay Luminaire

## Photometric Data

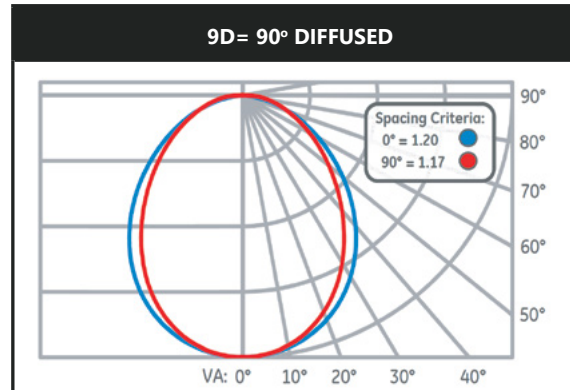
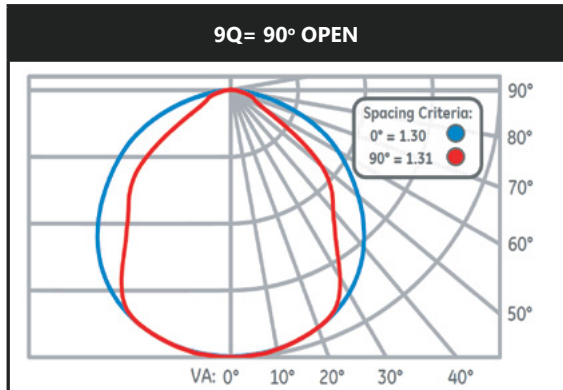
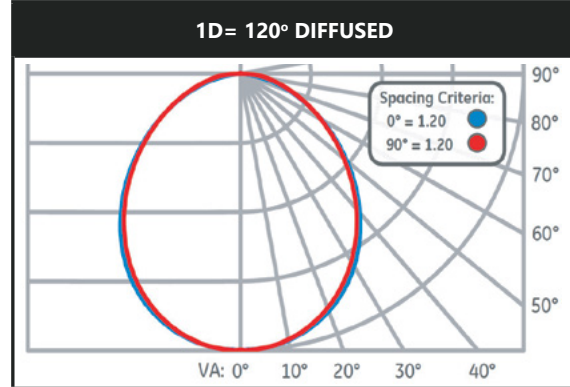
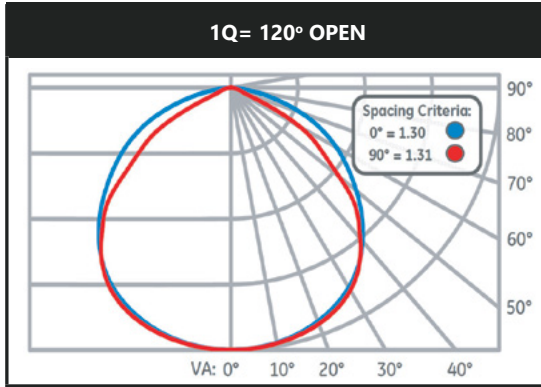
### CUSTOMER NAME

Project Name \_\_\_\_\_

Date \_\_\_\_\_ Type \_\_\_\_\_

Catalog Number \_\_\_\_\_

### PHOTOMETRIC DATA



# Albeo® ABC Series

## LED High Bay Luminaire

### Mounting & Accessories

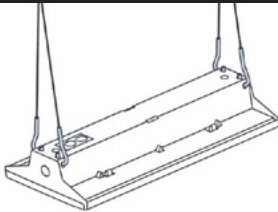
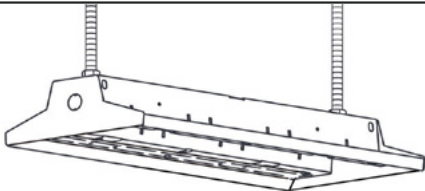
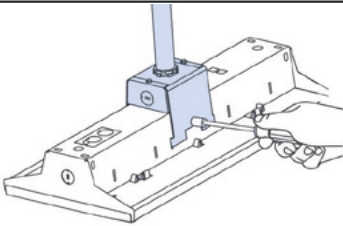
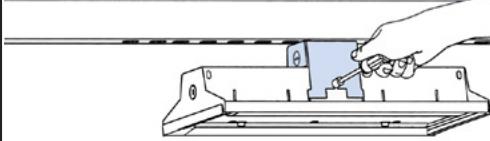
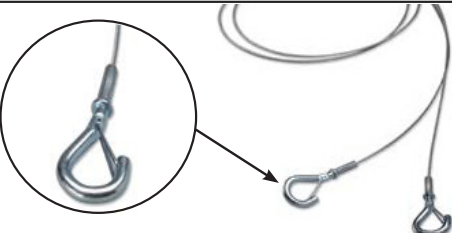
#### CUSTOMER NAME

Project Name \_\_\_\_\_

Date \_\_\_\_\_ Type \_\_\_\_\_

Catalog Number \_\_\_\_\_

## MOUNTING & ACCESSORIES

MOUNTING OPTIONS	IMAGE	ORDER LOGIC CODE	ORDER LOGIC CODE
Standard Chain/Cable Mount Available on all fixture configurations (chain not included). Y-Cable w/hook can be ordered as an accessory		ST=Standard	Aftermarket: NA
Rod Mount/Standard Mount Available on all fixture configurations. Attaches to 1/2" threaded rod (rod and nuts not included).			
Pendant Mount (optional) Available on all fixture configurations. Attaches to 3/4" threaded conduit (conduit not included).		23 = 3/4" Pendant Mount Kit	SKU: 93124931 Description: 3/4" Surface Mounting Kit
Surface Mount (optional) Available on all fixture configurations. Attaches to structural member in ceiling (Hardware not included).	  NOTE: 5" distance between ceiling plane and bottom face of fixture; De-rate 5°C	SM = Surface Mount	
Standard Chain/Cable Mount Available on all fixture configurations (chain not included). Y-Cable w/hook can be ordered as an accessory.		41 = Y-Cable/ Hook 5 ft. 42 = Y-Cable/ Hook 10 ft. 43 = Y-Cable/ Hook 15 ft. 44 = Y-Cable/ Hook 20 ft.	5ft Y-Cable/ Hook: 93075756 10ft Y-Cable/ Hook: 93075552 15ft Y-Cable/ Hook: 93075553 20ft Y-Cable/ Hook: 93075554 25ft Y-Cable/ Hook: 93075555  Max Load: 200 lbs. per pair

**For Additional Information or Product Technical Questions:**  
lightingproinfo@gecurrent.com