

# SONDER

## LIVING

## CHESTER DESK

Thank you for choosing this quality product. Be sure to check all packaging materials carefully for small parts that may have become loose during shipment and place all parts on a non-abrasive surface.

**IMPORTANT** :These parts can be cumbersome and heavy to some people, therefore the assistance of two or more people is recommended in order to prevent personal injury and ensure the furniture is not damaged during the assembly Process.

### CARE INSTRUCTIONS

1. Dust often using a clean, soft, dry and lint-free cloth.
2. Blot spills immediately and wipe with a clean, damp, cloth.
3. We do not recommend the use of chemical cleansers, abrasives or furniture polish on our lacquered finish.

### IMPORTANT SAFETY INSTRUCTIONS

1. Please read all instructions carefully before assembling.
2. For your safety, assembly by two or more adults is strongly recommended.
3. Keep instructions for future use.
4. Use only vendor supplied hardware to assemble. Using unauthorized hardware could jeopardize the structural integrity of the item.

### PART LIST

A [1] MARBLE TOP

B [4] CONNECTOR METAL FRAME

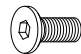

C [2] DRAWER BOX

D [4] METAL BASE

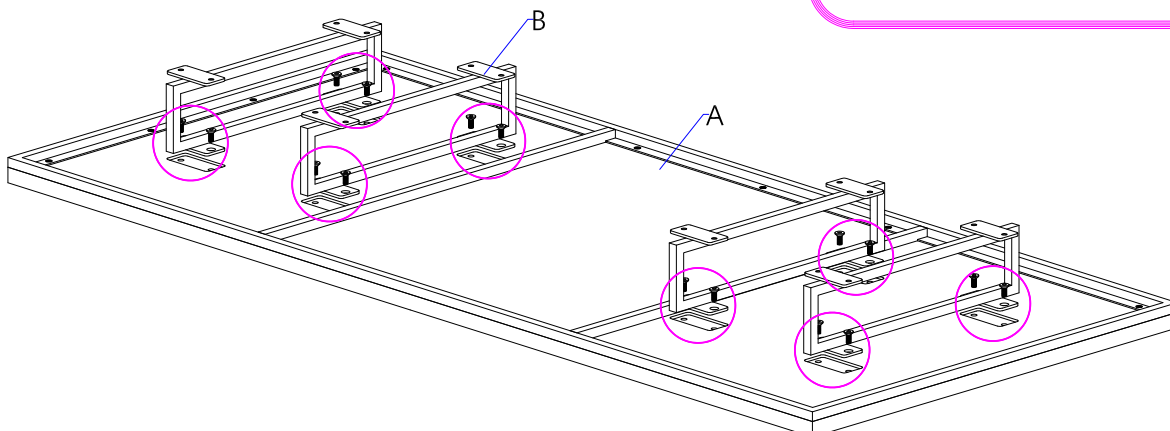
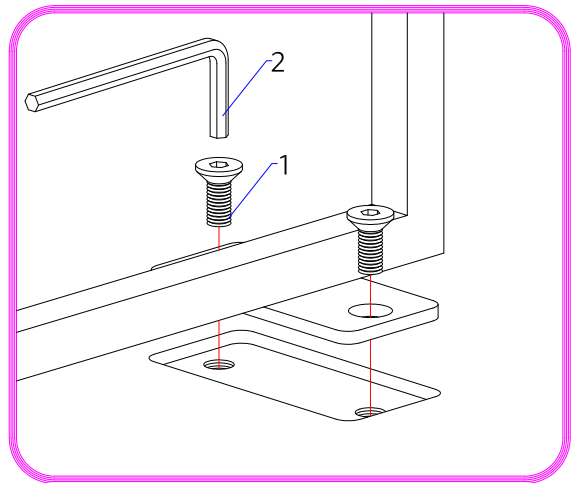
### INSTRUCTIONS

1. Gently, lay the Marble top (A) upside down on a soft flat surface. Attach the Connector metal frame (B) into the Marble top, align and insert Allen bolt (1) to each fixed nuts under top through the hole on the top of the metal frame. Tighten all the bolts by using wrench (2). **DO NOT OVER TIGHTEN**. See **FIGURE 01**.
2. Repeat for other connector metal frame.

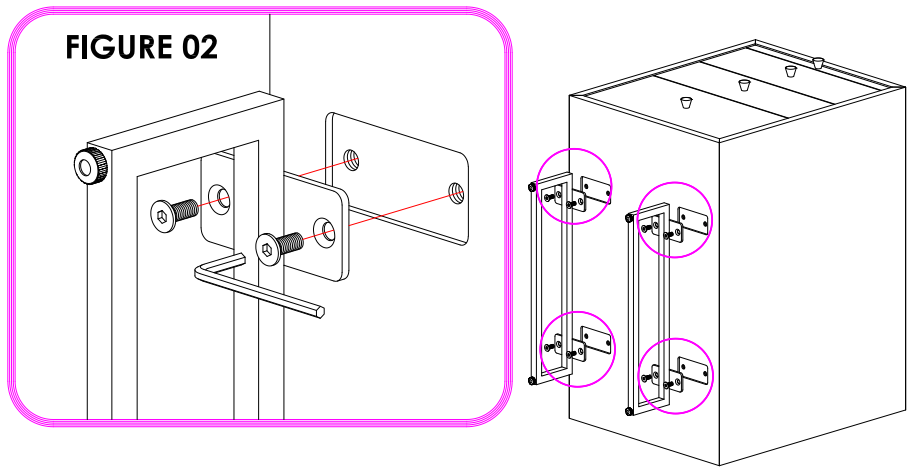
### HARDWARE LIST

NO	DESCRIPTION	QTY
1	 ALLEN HEAD BOLT	48
2	 ALLEN WRENCH	1

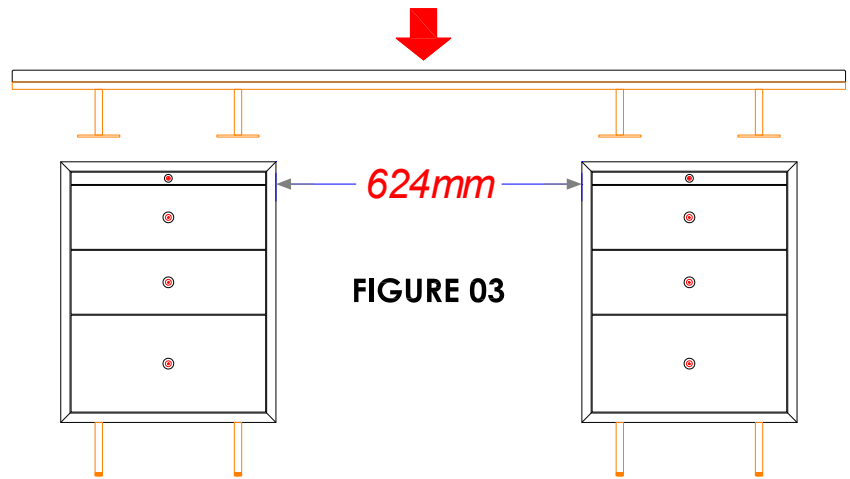
**FIGURE 01**



- Gently, lay the back of the drawer box (C) on a soft flat surface. Attach the Metal base (D) into the bottom of the drawer box, align and insert Allen bolt (1) to each fixed nuts under drawer box through the hole on the top of the metal base. Tighten all the bolts by using wrench (2). DO NOT OVER TIGHTEN. See **FIGURE 02**.
- Repeat to attach other metal base with second drawer box.
- After assembly, bring the both of the drawer box upright on flat surface.



- Preset the both of base assembled on your desired location. Distance between the inside surface of the both drawer box should be 624mm. See **FIGURE 03**.



- Bring the Top assembled and set it on the top of the base. Align the metal frame with fixed nuts on the top of the drawer box. Once the metal frame is set, insert Allen bolt (1) as **FIGURE 04**.

